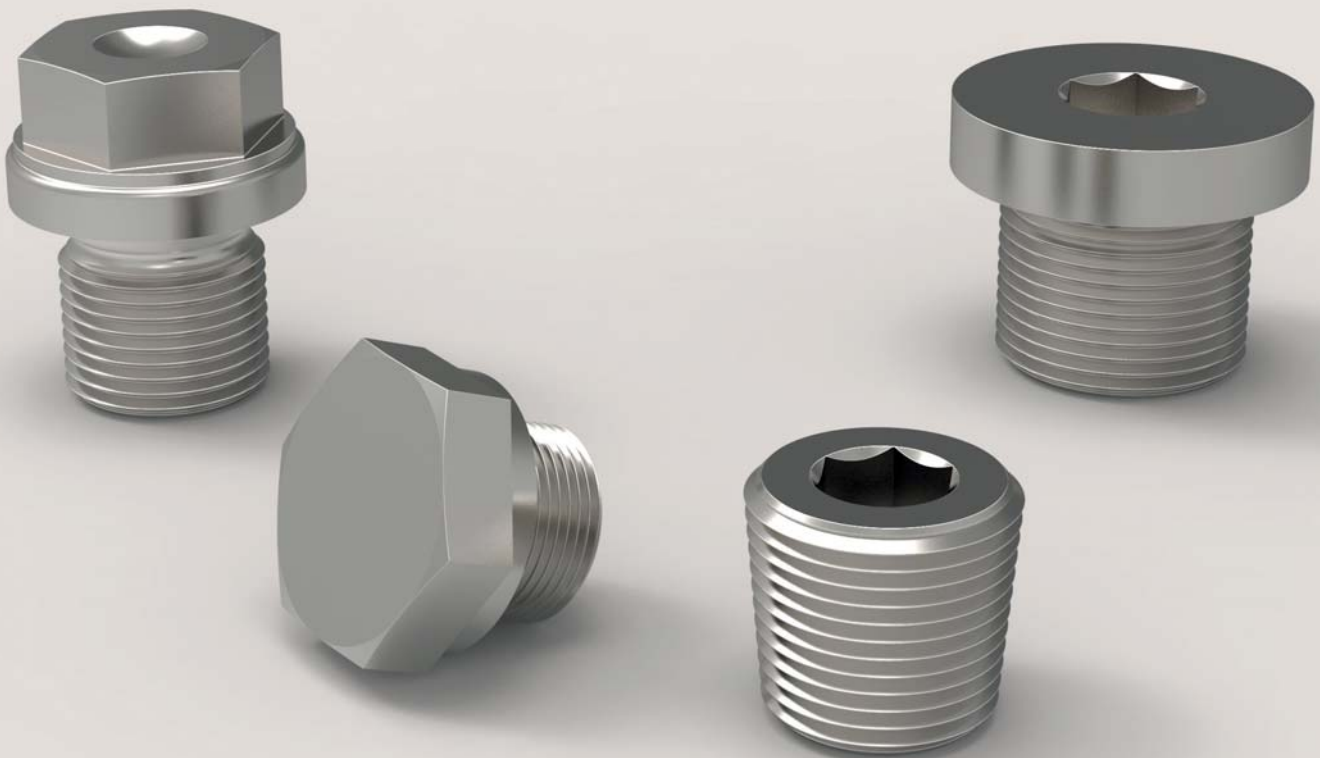


Blanking Plugs





P0182
Hex Head Screw Blanking Plugs DIN 910



P0183
Hex Socket Screw Blanking Plugs DIN 908



P0184
Hex Socket Taper Blanking Plugs DIN 906



P0187
Hexagon Blanking Plugs DIN 7604 A

Threads

Blanking plugs come with either metric or inch threads. Most metric threads are fine threads (to DIN 13).

Inch threads come in two types:

- G indicates BSPP British Standard Pipe Parallel (to ISO 288)
- R indicates BSPT British Standard Pipe Taper (to ISO 7)

Materials

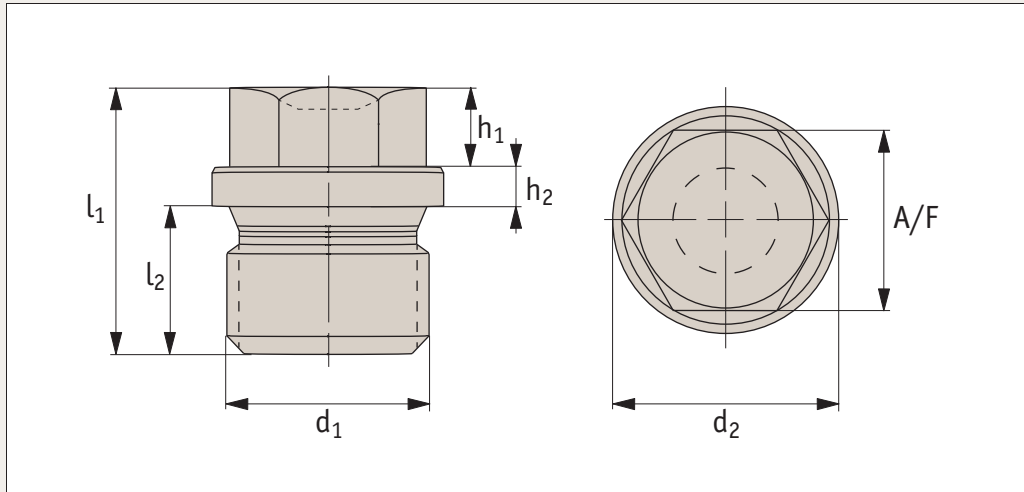
Blanking Plugs are available in three material types:

- Steel (untreated or zinc plated)
- Stainless steel (A2, AISI 303 and A4, AISI 316)
- Brass

Options: with built-in magnet or with NBR seal and O Ring.



P0182



Material

Steel (self-colour & zinc-plated), stainless steel (A2 & A4), and brass.

Technical Notes

To DIN 910. Most metric screw plug threads are fine threads.

Inch threads beginning with "G" indicate BSPP (British Standard Pipe Parallel threads ISO 228).

Tips

Tightening torque is dependent on fluid, pressure, temperature, and material pairing

Also available on request with O rings (NBR, Viton, EPDM, Silicone etc), permanent magnet, and polyamide melt seal under head.

Order No.	d ₁ x p	d ₂ h14	l ₁	l _{2 ±0.2}	h ₁	h ₂	A/F	Material
P0182.080-100-ZP	M 8 x1,0	14	17	8	6	3	10	Steel ZP
P0182.100-100-ZP	M10 x1,0	14	17	8	6	3	10	Steel ZP
P0182.120-150-ZP	M12 x1,5	17	21	12	6	3	13	Steel ZP
P0182.140-150-ZP	M14 x1,5	19	21	12	6	3	13	Steel ZP
P0182.160-150-ZP	M16 x1,5	21	21	12	6	3	17	Steel ZP
P0182.180-150-ZP	M18 x1,5	23	24	12	8	4	17	Steel ZP
P0182.200-150-ZP	M20 x1,5	25	26	14	8	4	19	Steel ZP
P0182.220-150-ZP	M22 x1,5	27	26	14	8	4	19	Steel ZP
P0182.240-150-ZP	M24 x1,5	29	27	14	9	4	22	Steel ZP
P0182.260-150-ZP	M26 x1,5	31	30	16	10	4	24	Steel ZP
P0182.270-200-ZP	M27 x2,0	32	30	16	10	4	24	Steel ZP
P0182.300-150-ZP	M30 x1,5	36	30	16	11	5	24	Steel ZP
P0182.300-200-ZP	M30 x2,0	36	32	16	11	5	24	Steel ZP
P0182.330-200-ZP	M33 x2,0	39	32	16	11	5	27	Steel ZP
P0182.360-150-ZP	M36 x1,5	42	32	16	11	5	27	Steel ZP
P0182.360-200-ZP	M36 x2,0	42	32	16	11	5	27	Steel ZP
P0182.G1/8-ZP	G1/8"	14	17	8	6	3	10	Steel ZP
P0182.G1/4-ZP	G1/4"	18	21	12	6	3	13	Steel ZP
P0182.G1/4x8-ZP	G1/4"x8	18	21	12	6	3	13	Steel ZP
P0182.G3/8-ZP	G3/8"	22	21	12	6	3	17	Steel ZP
P0182.G3/8x8-ZP	G3/8"x8	22	17	8	6	3	17	Steel ZP
P0182.G1/2-ZP	G1/2"	26	26	14	8	4	19	Steel ZP
P0182.G1/2x10-ZP	G1/2"x10	26	22	10	8	4	19	Steel ZP
P0182.G5/8-ZP	G5/8"	28	30	16	10	4	24	Steel ZP
P0182.G3/4-ZP	G3/4"	32	30	16	10	4	24	Steel ZP
P0182.G3/4x12-ZP	G3/4"x12	32	26	12	10	4	24	Steel ZP
P0182.G1-ZP	G1"	39	32	16	11	5	27	Steel ZP

Order No.	d ₁ x p	d ₂ h14	l ₁	l _{2 ±0.2}	h ₁	h ₂	A/F	Material
P0182.G1-1/8-ZP	G1-1/8"	44	32	16	11	5	27	Steel ZP
P0182.G1-1/4-ZP	G1-1/4"	49	33	16	12	5	30	Steel ZP
P0182.G1-1/2-ZP	G1-1/2"	55	33	16	12	5	30	Steel ZP
P0182.080-100-SC	M 8 x1,0	14	17	8	6	3	10	Steel SC
P0182.100-100-SC	M10 x1,0	14	17	8	6	3	10	Steel SC
P0182.120-150-SC	M12 x1,5	17	21	12	6	3	13	Steel SC
P0182.140-150-SC	M14 x1,5	19	21	12	6	3	13	Steel SC
P0182.160-150-SC	M16 x1,5	21	21	12	6	3	17	Steel SC
P0182.180-150-SC	M18 x1,5	23	24	12	8	4	17	Steel SC
P0182.200-150-SC	M20 x1,5	25	26	14	8	4	19	Steel SC
P0182.220-150-SC	M22 x1,5	27	26	14	8	4	19	Steel SC
P0182.240-150-SC	M24 x1,5	29	27	14	9	4	22	Steel SC
P0182.260-150-SC	M26 x1,5	31	30	16	10	4	24	Steel SC
P0182.270-200-SC	M27 x2,0	32	30	16	10	4	24	Steel SC
P0182.300-150-SC	M30 x1,5	36	30	16	11	5	24	Steel SC
P0182.300-200-SC	M30 x2,0	36	32	16	11	5	24	Steel SC
P0182.330-200-SC	M33 x2,0	39	32	16	11	5	27	Steel SC
P0182.360-150-SC	M36 x1,5	42	32	16	11	5	27	Steel SC
P0182.360-200-SC	M36 x2,0	42	32	16	11	5	27	Steel SC
P0182.380-150-SC	M38 x1,5	44	32	16	11	5	27	Steel SC
P0182.420-150-SC	M42 x1,5	49	33	16	12	5	30	Steel SC
P0182.420-200-SC	M42 x2,0	49	33	16	12	5	30	Steel SC
P0182.450-150-SC	M45 x1,5	52	33	16	12	5	30	Steel SC
P0182.480-200-SC	M48 x2,0	55	33	16	12	5	30	Steel SC
P0182.520-200-SC	M52 x2,0	60	33	16	12	5	30	Steel SC
P0182.520-150-SC	M52 x1,5	60	33	16	12	5	30	Steel SC
P0182.560-200-SC	M56 x2,0	64	40	20	12	5	36	Steel SC

Blanking Plugs Heavy Duty

metric & BSPP

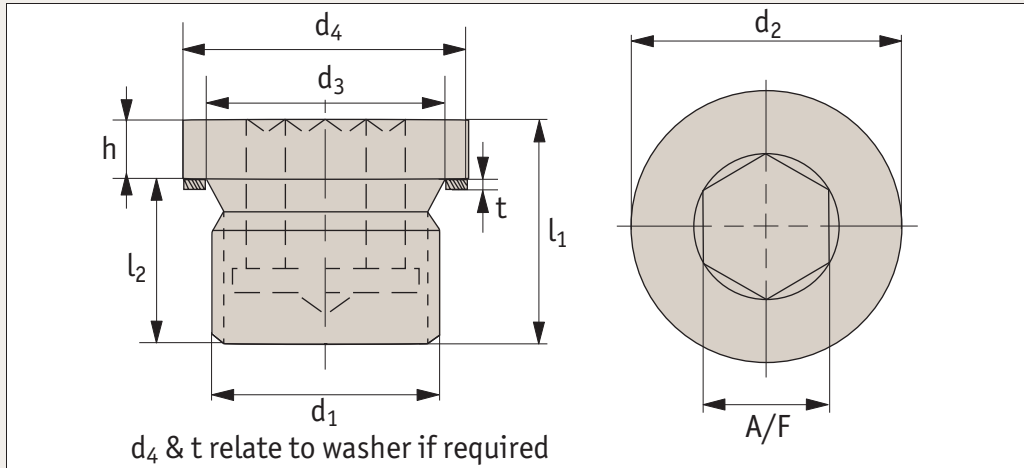
Blanking Plugs

Order No.	d ₁ x p	d ₂ h14	l ₁	l _{2 ±0.2}	h ₁	h ₂	A/F	Material
P0182.600-200-SC	M60 x2,0	72	40	20	15	5	36	Steel SC
P0182.640-200-SC	M64 x2,0	72	40	20	15	5	36	Steel SC
P0182.G1/8-SC	G1/8"	14	17	8	6	3	10	Steel SC
P0182.G1/4-SC	G1/4"	18	21	12	6	3	13	Steel SC
P0182.G1/4x8-SC	G1/4"x8	18	21	12	6	3	13	Steel SC
P0182.G3/8-SC	G3/8"	22	21	12	6	3	17	Steel SC
P0182.G3/8x8-SC	G3/8"x8	22	17	8	6	3	17	Steel SC
P0182.G1/2-SC	G1/2"	26	26	14	8	4	19	Steel SC
P0182.G1/2x10-SC	G1/2"x10	26	22	10	8	4	19	Steel SC
P0182.G5/8-SC	G5/8"	28	30	16	10	4	24	Steel SC
P0182.G3/4-SC	G3/4"	32	30	16	10	4	24	Steel SC
P0182.G3/4x12-SC	G3/4"x12	32	26	12	10	4	24	Steel SC
P0182.G1-SC	G1"	39	32	16	11	5	27	Steel SC
P0182.G1-1/8-SC	G1-1/8"	44	32	16	11	5	27	Steel SC
P0182.G1-1/4-SC	G1-1/4"	49	33	16	12	5	30	Steel SC
P0182.G1-1/2-SC	G1-1/2"	55	33	16	12	5	30	Steel SC
P0182.G1-3/4-SC	G1-3/4"	62	40	20	10	4	24	Steel SC
P0182.G2-SC	G2"	68	40	20	15	5	36	Steel SC
P0182.G2-1/2-SC	G2-1/2"	85	40	20	15	5	36	Steel SC
P0182.100-100-A4	M10 x1,0	14	17	8	6	3	10	A4 s/s
P0182.120-150-A4	M12 x1,5	17	21	12	6	3	13	A4 s/s
P0182.140-150-A4	M14 x1,5	19	21	12	6	3	13	A4 s/s
P0182.160-150-A4	M16 x1,5	21	21	12	6	3	17	A4 s/s
P0182.180-150-A4	M18 x1,5	23	24	12	8	4	17	A4 s/s
P0182.200-150-A4	M20 x1,5	25	26	14	8	4	19	A4 s/s
P0182.220-150-A4	M22 x1,5	27	26	14	8	4	19	A4 s/s
P0182.240-150-A4	M24 x1,5	29	27	14	9	4	22	A4 s/s
P0182.260-150-A4	M26 x1,5	31	30	16	10	4	24	A4 s/s
P0182.270-200-A4	M27 x2,0	32	30	16	10	4	24	A4 s/s
P0182.300-150-A4	M30 x1,5	36	30	16	11	5	24	A4 s/s
P0182.300-200-A4	M30 x2,0	36	32	16	11	5	24	A4 s/s
P0182.G1/8-A4	G1/8"	14	17	8	6	3	10	A4 s/s
P0182.G1/4-A4	G1/4"	18	21	12	6	3	13	A4 s/s
P0182.G1/4x8-A4	G1/4"x8	18	21	12	6	3	13	A4 s/s
P0182.G3/8-A4	G3/8"	22	21	12	6	3	17	A4 s/s
P0182.G3/8x8-A4	G3/8"x8	22	17	8	6	3	17	A4 s/s
P0182.G1/2-A4	G1/2"	26	26	14	8	4	19	A4 s/s
P0182.G1/2x10-A4	G1/2"x10	26	22	10	8	4	19	A4 s/s
P0182.G5/8-A4	G5/8"	28	30	16	10	4	24	A4 s/s
P0182.G3/4-A4	G3/4"	32	30	16	10	4	24	A4 s/s
P0182.G3/4x12-A4	G3/4"x12	32	26	12	10	4	24	A4 s/s
P0182.G1-A4	G1"	39	32	16	11	5	27	A4 s/s
P0182.G1-1/8-A4	G1-1/8"	44	32	16	11	5	27	A4 s/s
P0182.G1-1/4-A4	G1-1/4"	49	33	16	12	5	30	A4 s/s
P0182.G1-1/2-A4	G1-1/2"	55	33	16	12	5	30	A4 s/s
P0182.G1-3/4-A4	G1-3/4"	62	40	20	15	5	36	A4 s/s
P0182.G2-A4	G2"	68	40	20	15	5	36	A4 s/s
P0182.100-100-A2	M10 x1,0	14	17	8	6	3	10	A2 s/s
P0182.120-150-A2	M12 x1,5	17	21	12	6	3	13	A2 s/s
P0182.140-150-A2	M14 x1,5	19	21	12	6	3	13	A2 s/s
P0182.160-150-A2	M16 x1,5	21	21	12	6	3	17	A2 s/s
P0182.180-150-A2	M18 x1,5	23	24	12	8	4	17	A2 s/s

Order No.	d ₁ x p	d ₂ h14	l ₁	l _{2 ±0.2}	h ₁	h ₂	A/F	Material
P0182.200-150-A2	M20 x1,5	25	26	14	8	4	19	A2 s/s
P0182.220-150-A2	M22 x1,5	27	26	14	8	4	19	A2 s/s
P0182.240-150-A2	M24 x1,5	29	27	14	9	4	22	A2 s/s
P0182.260-150-A2	M26 x1,5	31	30	16	10	4	24	A2 s/s
P0182.270-200-A2	M27 x2,0	32	30	16	10	4	24	A2 s/s
P0182.300-150-A2	M30 x1,5	36	30	16	11	5	24	A2 s/s
P0182.300-200-A2	M30 x2,0	36	32	16	11	5	24	A2 s/s
P0182.G1/8-A2	G1/8"	14	17	8	6	3	10	A2 s/s
P0182.G1/4-A2	G1/4"	18	21	12	6	3	13	A2 s/s
P0182.G3/8-A2	G3/8"	22	21	12	6	3	17	A2 s/s
P0182.G1/2-A2	G1/2"	26	26	14	8	4	19	A2 s/s
P0182.G5/8-A2	G5/8"	28	30	16	10	4	24	A2 s/s
P0182.G3/4-A2	G3/4"	32	30	16	10	4	24	A2 s/s
P0182.G1-A2	G1"	39	32	16	11	5	27	A2 s/s
P0182.G1-1/8-A2	G1-1/8"	44	32	16	11	5	27	A2 s/s
P0182.G1-1/4-A2	G1-1/4"	49	33	16	12	5	30	A2 s/s
P0182.G1-1/2-A2	G1-1/2"	55	33	16	12	5	30	A2 s/s
P0182.G1-3/4-A2	G1-3/4"	62	40	20	15	5	36	A2 s/s
P0182.G2-A2	G2"	68	40	20	15	5	36	A2 s/s
P0182.080-100-BR	M 8 x1,0	14	17	8	6	3	10	Brass
P0182.100-100-BR	M10 x1,0	14	17	8	6	3	10	Brass
P0182.120-150-BR	M12 x1,5	17	21	12	6	3	13	Brass
P0182.140-150-BR	M14 x1,5	19	21	12	6	3	13	Brass
P0182.160-150-BR	M16 x1,5	21	21	12	6	3	17	Brass
P0182.180-150-BR	M18 x1,5	23	24	12	8	4	17	Brass
P0182.200-150-BR	M20 x1,5	25	26	14	8	4	19	Brass
P0182.220-150-BR	M22 x1,5	27	26	14	8	4	19	Brass
P0182.240-150-BR	M24 x1,5	29	27	14	9	4	22	Brass
P0182.260-150-BR	M26 x1,5	31	30	16	10	4	24	Brass
P0182.270-200-BR	M27 x2,0	32	30	16	10	4	24	Brass
P0182.300-150-BR	M30 x1,5	36	30	16	11	5	24	Brass
P0182.300-200-BR	M30 x2,0	36	32	16	11	5	24	Brass
P0182.330-200-BR	M33 x2,0	39	32	16	11	5	27	Brass
P0182.360-150-BR	M36 x1,5	42	32	16	11	5	27	Brass
P0182.420-150-BR	M42 x1,5	49	33	16	12	5	30	Brass
P0182.G1/8-BR	G1/8"	14	17	8	6	3	10	Brass
P0182.G1/4-BR	G1/4"	18	21	12	6	3	13	Brass
P0182.G1/4x8-BR	G1/4"x8	18	21	12	6	3	13	Brass
P0182.G3/8-BR	G3/8"	22	21	12	6	3	17	Brass
P0182.G3/8x8-BR	G3/8"x8	22	17	8	6	3	17	Brass
P0182.G1/2-BR	G1/2"	26	26	14	8	4	19	Brass
P0182.G1/2x10-BR	G1/2"x10	26	22	10	8	4	19	Brass
P0182.G5/8-BR	G5/8"	28	30	16	10	4	24	Brass
P0182.G3/4-BR	G3/4"	32	30	16	10	4	24	Brass
P0182.G3/4x12-BR	G3/4"x12	32	26	12	10	4	24	Brass
P0182.G1-BR	G1"	39	32	16	11	5	27	Brass
P0182.G1-1/8-BR	G1-1/8"	44	32	16	11	5	27	Brass
P0182.G1-1/4-BR	G1-1/4"	49	33	16	12	5	30	Brass
P0182.G1-1/2-BR	G1-1/2"	55	33	16	12	5	30	Brass
P0182.G1-3/4-BR	G1-3/4"	62	40	20	15	5	36	Brass
P0182.G2-BR	G2"	68	40	20	15	5	36	Brass



P0183



Material

Steel (self-colour & zinc-plated, class 5.8), stainless steel (A2 & A4), and brass.

Technical Notes

To DIN 908. Most metric screw plug threads are fine threads.

Inch threads beginning with "G" indicate BSPP (British Standard Pipe Parallel threads ISO 228).

For sealing washers (copper to DIN 7603A see part no. P0334).

Tightening torque is dependent on fluid, pressure, temperature, and material pairing.

Tips

Also available on request with O rings (NBR, Viton, EPDM, Silicone etc), permanent magnet, and polyamide melt seal under head.

ZP - Zinc Plated

A2 - A2 Stainless Steel

A4 - A4 Stainless Steel

BR - Brass

Order No.	d ₁ x p	d ₂ h14	d ₃	d ₄	l ₁	l ₂ ±0.2	h _{±0,5}	A/F	t
P0183.080-100-ZP	M 8 x1,0	12	8,3	11,5	11	8	3	4	1
P0183.100-100-ZP	M10 x1,0	14	10,3	13,5	11	8	3	5	1
P0183.120-150-ZP	M12 x1,5	17	12,3	16	15	12	3	6	1,5
P0183.140-150-ZP	M14 x1,5	19	14,3	18	15	12	3	6	1,5
P0183.160-150-ZP	M16 x1,5	21	16,3	20	15	12	3	8	1,5
P0183.180-150-ZP	M18 x1,5	23	18,3	22	16	12	4	8	1,5
P0183.200-150-ZP	M20 x1,5	25	20,3	24	18	14	4	10	1,5
P0183.220-150-ZP	M22 x1,5	27	22,3	27	18	14	4	10	1,5
P0183.240-150-ZP	M24 x1,5	29	24,3	29	18	14	4	12	2
P0183.260-150-ZP	M26 x1,5	31	26,3	31	20	16	4	12	2
P0183.270-200-ZP	M27 x2,0	32	27,3	32	20	16	4	12	2
P0183.300-150-ZP	M30 x1,5	36	30,3	36	20	16	4	17	2
P0183.300-200-ZP	M30 x2,0	36	30,3	36	20	16	4	17	2
P0183.330-200-ZP	M33 x2,0	39	33,3	39	21	16	5	17	2
P0183.360-150-ZP	M36 x1,5	42	36,3	42	21	16	5	19	2
P0183.380-150-ZP	M38 x1,5	44	38,3	44	21	16	5	19	2
P0183.420-150-ZP	M42 x1,5	49	42,3	49	21	16	5	22	2
P0183.420-200-ZP	M42 x2,0	49	42,3	49	21	16	5	22	2
P0183.480-150-ZP	M48 x1,5	55	48,3	55	21	16	5	24	2
P0183.480-200-ZP	M48 x2,0	55	48,3	55	21	16	5	24	2
P0183.520-150-ZP	M52 x1,5	60	52,3	60	21	16	5	24	2
P0183.560-200-ZP	M56 x2,0	64	56,3	64	25	20	5	32	2
P0183.600-200-ZP	M60 x2,0	68	60,3	68	25	20	5	32	2
P0183.640-200-ZP	M64 x2,0	72	64,3	72	25	20	5	32	2
P0183.G1/8-ZP	G1/8"	14	10	13,5	11	8	3	5	1
P0183.G1/4-ZP	G1/4"	18	13,4	18	15	12	3	6	1,5

Order No.	d ₁ x p	d ₂ h14	d ₃	d ₄	l ₁	l ₂ ±0.2	h _{±0,5}	A/F	t
P0183.G3/8-ZP	G3/8"	22	17	21	15	12	3	8	1,5
P0183.G1/2-ZP	G1/2"	26	21,3	26	18	14	4	10	1,5
P0183.G5/8-ZP	G5/8"	28	24	28	18	14	4	12	1,5
P0183.G3/4-ZP	G3/4"	32	26,7	32	20	16	4	12	2
P0183.G7/8-ZP	G7/8"	36	29,4	36	20	16	4	12	2
P0183.G1-ZP	G1"	39	33,5	39	21	16	5	17	2
P0183.G1-1/8-ZP	G1-1/8"	44	36,2	44	21	16	5	19	2
P0183.G1-1/4-ZP	G1 1/4"	49	42,2	49	21	16	5	22	2
P0183.G1-1/2-ZP	G1-1/2"	55	48,1	55	21	16	5	24	2
P0183.G1-3/4-ZP	G1-3/4"	62	51,8	62	25	20	5	32	2
P0183.G2-ZP	G2"	68	54,5	68	25	20	5	32	2
P0183.080-100-SC	M 8 x1,0	12	8,3	11,5	11	8	3	4	1
P0183.100-100-SC	M10 x1,0	14	10,3	13,5	11	8	3	5	1
P0183.120-150-SC	M12 x1,5	17	12,3	16	15	12	3	6	1,5
P0183.140-150-SC	M14 x1,5	19	14,3	18	15	12	3	6	1,5
P0183.160-150-SC	M16 x1,5	21	16,3	20	15	12	3	8	1,5
P0183.180-150-SC	M18 x1,5	23	18,3	22	16	12	4	8	1,5
P0183.200-150-SC	M20 x1,5	25	20,3	24	18	14	4	10	1,5
P0183.220-150-SC	M22 x1,5	27	22,3	27	18	14	4	10	1,5
P0183.240-150-SC	M24 x1,5	29	24,3	29	18	14	4	12	2
P0183.260-150-SC	M26 x1,5	31	26,3	31	20	16	4	12	2
P0183.270-200-SC	M27 x2,0	32	27,3	32	20	16	4	12	2
P0183.300-150-SC	M30 x1,5	36	30,3	36	20	16	4	17	2
P0183.300-200-SC	M30 x2,0	36	30,3	36	20	16	4	17	2
P0183.330-200-SC	M33 x2,0	39	33,3	39	21	16	5	17	2
P0183.360-150-SC	M36 x1,5	42	36,3	42	21	16	5	19	2

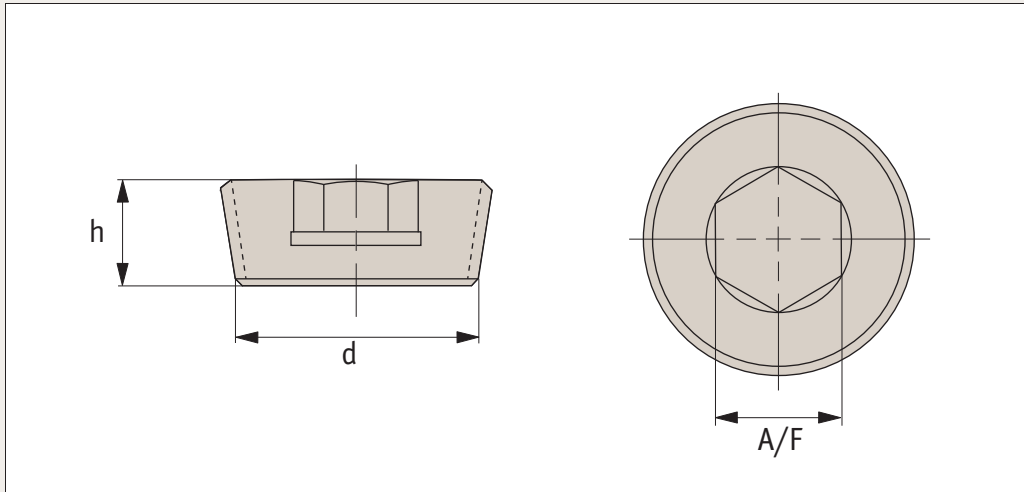
Blanking Plugs with Collar

metric & BSPP

Blanking Plugs

Order No.	d ₁ x p	d ₂ h14	d ₃	d ₄	l ₁	l ₂ ±0,2	h _{±0,5}	A/F	t
P0183.380-150-SC	M38 x1,5	44	38,3	44	21	16	5	19	2
P0183.420-150-SC	M42 x1,5	49	42,3	49	21	16	5	22	2
P0183.420-200-SC	M42 x2,0	49	42,3	49	21	16	5	22	2
P0183.480-150-SC	M48 x1,5	55	48,3	55	21	16	5	24	2
P0183.480-200-SC	M48 x2,0	55	48,3	55	21	16	5	24	2
P0183.520-150-SC	M52 x1,5	60	52,3	60	21	16	5	24	2
P0183.560-200-SC	M56 x2,0	64	56,3	64	25	20	5	32	2
P0183.600-200-SC	M60 x2,0	68	60,3	68	25	20	5	32	2
P0183.640-200-SC	M64 x2,0	72	64,3	72	25	20	5	32	2
P0183.G1/8-SC	G1/8"	14	10	13,5	11	8	3	5	1
P0183.G1/4-SC	G1/4"	18	13,4	18	15	12	3	6	1,5
P0183.G3/8-SC	G3/8"	22	17	21	15	12	3	8	1,5
P0183.G1/2-SC	G1/2"	26	21,3	26	18	14	4	10	1,5
P0183.G5/8-SC	G5/8"	28	24	28	18	14	4	12	1,5
P0183.G3/4-SC	G3/4"	32	26,7	32	20	16	4	12	2
P0183.G7/8-SC	G7/8"	36	29,4	36	20	16	4	12	2
P0183.G1-SC	G1"	39	33,5	39	21	16	5	17	2
P0183.G1-1/8-SC	G1-1/8"	44	36,2	44	21	16	5	19	2
P0183.G1-1/4-SC	G1-1/4"	49	42,2	49	21	16	5	22	2
P0183.G1-1/2-SC	G1-1/2"	55	48,1	55	21	16	5	24	2
P0183.G1-3/4-SC	G1-3/4"	62	51,8	62	25	20	5	32	2
P0183.G2-SC	G2"	68	54,5	68	25	20	5	32	2
P0183.080-100-A4	M 8 x1,0	12	8,3	11,5	11	8	3	4	1
P0183.100-100-A4	M10 x1,0	14	10,3	13,5	11	8	3	5	1
P0183.120-150-A4	M12 x1,5	17	12,3	16	15	12	3	6	1,5
P0183.140-150-A4	M14 x1,5	19	14,3	18	15	12	3	6	1,5
P0183.160-150-A4	M16 x1,5	21	16,3	20	15	12	3	8	1,5
P0183.180-150-A4	M18 x1,5	23	18,3	22	16	12	4	8	1,5
P0183.200-150-A4	M20 x1,5	25	20,3	24	18	14	4	10	1,5
P0183.220-150-A4	M22 x1,5	27	22,3	27	18	14	4	10	1,5
P0183.240-150-A4	M24 x1,5	29	24,3	29	18	14	4	12	2
P0183.260-150-A4	M26 x1,5	31	26,3	31	20	16	4	12	2
P0183.270-200-A4	M27 x2,0	32	27,3	32	20	16	4	12	2
P0183.300-150-A4	M30 x1,5	36	30,3	36	20	16	4	17	2
P0183.300-200-A4	M30 x2,0	36	30,3	36	20	16	4	17	2
P0183.G1/8-A4	G1/8"	14	10	13,5	11	8	3	5	1
P0183.G1/4-A4	G1/4"	18	13,4	18	15	12	3	6	1,5
P0183.G3/8-A4	G3/8"	22	17	21	15	12	3	8	1,5
P0183.G1/2-A4	G1/2"	26	21,3	26	18	14	4	10	1,5
P0183.G5/8-A4	G5/8"	28	24	28	18	14	4	12	1,5
P0183.G3/4-A4	G3/4"	32	26,7	32	20	16	4	12	2
P0183.G7/8-A4	G7/8"	36	29,4	36	20	16	4	12	2
P0183.G1-A4	G1"	39	33,5	39	21	16	5	17	2
P0183.G1-1/8-A4	G1-1/8"	44	36,2	44	21	16	5	19	2
P0183.G1-1/4-A4	G1-1/4"	49	42,2	49	21	16	5	22	2
P0183.G1-1/2-A4	G1-1/2"	55	48,1	55	21	16	5	24	2
P0183.G1-3/4-A4	G1-3/4"	62	51,8	62	25	20	5	32	2
P0183.G2-A4	G2"	68	54,5	68	25	20	5	32	2
P0183.080-100-A2	M 8 x1,0	12	8,3	11,5	11	8	3	4	1
P0183.100-100-A2	M10 x1,0	14	10,3	13,5	11	8	3	5	1
P0183.120-150-A2	M12 x1,5	17	12,3	16	15	12	3	6	1,5
P0183.140-150-A2	M14 x1,5	19	14,3	18	15	12	3	6	1,5
P0183.160-150-A2	M16 x1,5	21	16,3	20	15	12	3	8	1,5
P0183.180-150-A2	M18 x1,5	23	18,3	22	16	12	4	8	1,5
P0183.200-150-A2	M20 x1,5	25	20,3	24	18	14	4	10	1,5
P0183.220-150-A2	M22 x1,5	27	22,3	27	18	14	4	10	1,5

Order No.	d ₁ x p	d ₂ h14	d ₃	d ₄	l ₁	l ₂ ±0,2	h _{±0,5}	A/F	t
P0183.240-150-A2	M24 x1,5	29	24,3	29	18	14	4	12	2
P0183.260-150-A2	M26 x1,5	31	26,3	31	20	16	4	12	2
P0183.270-200-A2	M27 x2,0	32	27,3	32	20	16	4	12	2
P0183.300-150-A2	M30 x1,5	36	30,3	36	20	16	4	17	2
P0183.300-200-A2	M30 x2,0	36	30,3	36	20	16	4	17	2
P0183.G1/8-A2	G1/8"	14	10	13,5	11	8	3	5	1
P0183.G1/4-A2	G1/4"	18	13,4	18	15	12	3	6	1,5
P0183.G3/8-A2	G3/8"	22	17	21	15	12	3	8	1,5
P0183.G1/2-A2	G1/2"	26	21,3	26	18	14	4	10	1,5
P0183.G5/8-A2	G5/8"	28	24	28	18	14	4	12	1,5
P0183.G3/4-A2	G3/4"	32	26,7	32	20	16	4	12	2
P0183.G7/8-A2	G7/8"	36	29,4	36	20	16	4	12	2
P0183.G1-A2	G1"	39	33,5	39	21	16	5	17	2
P0183.G1-1/8-A2	G1-1/8"	44	36,2	44	21	16	5	19	2
P0183.G1-1/4-A2	G1-1/4"	49	42,2	49	21	16	5	22	2
P0183.G1-1/2-A2	G1-1/2"	55	48,1	55	21	16	5	24	2
P0183.G1-3/4-A2	G1-3/4"	62	51,8	62	25	20	5	32	2
P0183.G2-A2	G2"	68	54,5	68	25	20	5	32	2
P0183.080-100-BR	M 8 x1,0	12	8,3	11,5	11	8	3	4	1
P0183.100-100-BR	M10 x1,0	14	10,3	13,5	11	8	3	5	1
P0183.120-150-BR	M12 x1,5	17	12,3	16	15	12	3	6	1,5
P0183.140-150-BR	M14 x1,5	19	14,3	18	15	12	3	6	1,5
P0183.160-150-BR	M16 x1,5	21	16,3	20	15	12	3	8	1,5
P0183.180-150-BR	M18 x1,5	23	18,3	22	16	12	4	8	1,5
P0183.200-150-BR	M20 x1,5	25	20,3	24	18	14	4	10	1,5
P0183.220-150-BR	M22 x1,5	27	22,3	27	18	14	4	10	1,5
P0183.240-150-BR	M24 x1,5	29	24,3	29	18	14	4	12	2
P0183.260-150-BR	M26 x1,5	31	26,3	31	20	16	4	12	2
P0183.270-200-BR	M27 x2,0	32	27,3	32	20	16	4	12	2
P0183.300-150-BR	M30 x1,5	36	30,3	36	20	16	4	17	2
P0183.300-200-BR	M30 x2,0	36	30,3	36	20	16	4	17	2
P0183.330-200-BR	M33 x2,0	39	33,3	39	21	16	5	17	2
P0183.360-150-BR	M36 x1,5	42	36,3	42	21	16	5	19	2
P0183.380-150-BR	M38 x1,5	44	38,3	44	21	16	5	19	2
P0183.420-150-BR	M42 x1,5	49	42,3	49	21	16	5	22	2
P0183.420-200-BR	M42 x2,0	49	42,3	49	21	16	5	22	2
P0183.480-150-BR	M48 x1,5	55	48,3	55	21	16	5	24	2
P0183.480-200-BR	M48 x2,0	55	48,3	55	21	16	5	24	2
P0183.520-150-BR	M52 x1,5	60	52,3	60	21	16	5	24	2
P0183.560-200-BR	M56 x2,0	64	56,3	64	25	20	5	32	2
P0183.600-200-BR	M60 x2,0	68	60,3	68	25	20	5	32	2
P0183.640-200-BR	M64 x2,0	72	64,3	72	25	20	5	32	2
P0183.G1/8-BR	G1/8"	14	10	13,5	11	8	3	5	1
P0183.G1/4-BR	G1/4"	18	13,4	18	15	12	3	6	1,5
P0183.G3/8-BR	G3/8"	22	17	21	15	12	3	8	1,5
P0183.G1/2-BR	G1/2"	26	21,3	26	18	14	4	10	1,5
P0183.G5/8-BR	G5/8"	28	24	28	18	14	4	12	1,5
P0183.G3/4-BR	G3/4"	32	26,7	32	20	16	4	12	2
P0183.G7/8-BR	G7/8"	36	29,4	36	20	16	4	12	2
P0183.G1-BR	G1"	39	33,5	39	21	16	5	17	2
P0183.G1-1/8-BR	G1-1/8"	44	36,2	44	21	16	5	19	2
P0183.G1-1/4-BR	G1-1/4"	49	42,2	49	21	16	5	22	2
P0183.G1-1/2-BR	G1-1/2"	55	48,1	55	21	16	5	24	2
P0183.G1-3/4-BR	G1-3/4"	62	51,8	62	25	20	5	32	2
P0183.G2-BR	G2"	68	54,5	68	25	20	5	32	2



P0184

Material

Steel (self-colour & zinc-plated), stainless steel (A2 & A4), and brass.

Technical Notes

To DIN 906. Metric fine taper threads.
Inch threads beginning with "R" indicate BSPT (British Standard Pipe Taper threads ISO 7).
Also in NPT (national pipe thread) and NPTF.
Tightening torque is dependent on fluid, pressure, temperature, and material pairing.

Order No.	d	h _{JS16}	A/F	Material
P0184.060-100-ZP	M 6 x1,0	6	3	Steel ZP
P0184.080-100-ZP	M 8 x1,0	8	4	Steel ZP
P0184.100-100-ZP	M10 x1,0	8	5	Steel ZP
P0184.120-150-ZP	M12 x1,5	10	6	Steel ZP
P0184.140-150-ZP	M14 x1,5	10	7	Steel ZP
P0184.160-150-ZP	M16 x1,5	10	8	Steel ZP
P0184.180-150-ZP	M18 x1,5	10	8	Steel ZP
P0184.200-150-ZP	M20 x1,5	10	10	Steel ZP
P0184.220-150-ZP	M22 x1,5	10	10	Steel ZP
P0184.240-150-ZP	M24 x1,5	12	12	Steel ZP
P0184.260-150-ZP	M26 x1,5	12	12	Steel ZP
P0184.270-200-ZP	M27 x2,0	12	12	Steel ZP
P0184.300-150-ZP	M30 x1,5	12	17	Steel ZP
P0184.R1/8-ZP	R1/8"	8	5	Steel ZP
P0184.R1/4-ZP	R1/4"	10	7	Steel ZP
P0184.R3/8-ZP	R3/8"	10	8	Steel ZP
P0184.R1/2-ZP	R1/2"	10	10	Steel ZP
P0184.R3/4-ZP	R3/4"	12	12	Steel ZP
P0184.R1-ZP	R1"	17	12	Steel ZP
P0184.R1-1/4-ZP	R1 1/4"	22	18	Steel ZP
P0184.R1-1/2-ZP	R1 1/2"	24	20	Steel ZP
P0184.060-100-SC	M 6 x1,0	6	3	Steel SC
P0184.080-100-SC	M 8 x1,0	8	4	Steel SC
P0184.100-100-SC	M10 x1,0	8	5	Steel SC
P0184.120-150-SC	M12 x1,5	10	6	Steel SC
P0184.140-150-SC	M14 x1,5	10	7	Steel SC
P0184.160-150-SC	M16 x1,5	10	8	Steel SC
P0184.180-150-SC	M18 x1,5	10	8	Steel SC
P0184.200-150-SC	M20 x1,5	10	10	Steel SC

Order No.	d	h _{JS16}	A/F	Material
P0184.220-150-SC	M22 x1,5	10	10	Steel SC
P0184.240-150-SC	M24 x1,5	12	12	Steel SC
P0184.260-150-SC	M26 x1,5	12	12	Steel SC
P0184.270-200-SC	M27 x2,0	12	12	Steel SC
P0184.300-150-SC	M30 x1,5	12	17	Steel SC
P0184.300-200-SC	M30 x2,0	12	17	Steel SC
P0184.330-200-SC	M33 x2,0	12	17	Steel SC
P0184.360-150-SC	M36 x1,5	15	19	Steel SC
P0184.420-200-SC	M42 x2,0	18	22	Steel SC
P0184.420-150-SC	M42 x1,5	18	22	Steel SC
P0184.480-200-SC	M48 x2,0	20	24	Steel SC
P0184.520-150-SC	M52 x1,5	20	24	Steel SC
P0184.560-200-SC	M56 x2,0	22	32	Steel SC
P0184.600-200-SC	M60 x2,0	22	32	Steel SC
P0184.R1/8-SC	R1/8"	8	5	Steel SC
P0184.R1/4-SC	R1/4"	10	7	Steel SC
P0184.R3/8-SC	R3/8"	10	8	Steel SC
P0184.R1/2-SC	R1/2"	10	10	Steel SC
P0184.R3/4-SC	R3/4"	12	12	Steel SC
P0184.R1-SC	R1"	17	12	Steel SC
P0184.R1-1/4-SC	R1 1/4"	22	18	Steel SC
P0184.R1-1/2-SC	R1 1/2"	24	20	Steel SC
P0184.NPT1/16-SC	NPT1/16"	7,9	5/32"	Steel SC
P0184.NPT1/8-SC	NPT1/8"	7,9	3/16"	Steel SC
P0184.NPT1/4-SC	NPT1/4"	11,1	1/4"	Steel SC
P0184.NPT3/8-SC	NPT3/8"	12,7	5/16"	Steel SC
P0184.NPT1/2-SC	NPT1/2"	14,3	3/8"	Steel SC
P0184.NPT3/4-SC	NPT3/4"	15,9	9/16"	Steel SC
P0184.NPT1-SC	NPT1"	19,0	5/8"	Steel SC

Blanking Plugs

hex. socket

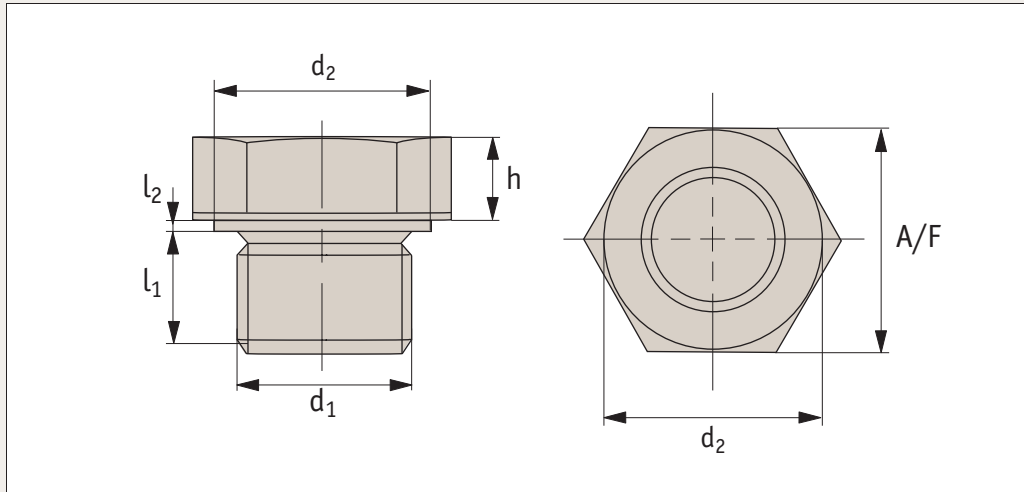
Blanking Plugs

Order No.	d	h _{JS16}	A/F	Material
P0184.NPT1-1/4-SC	NPT1 1/4"	20,6	3/4"	Steel SC
P0184.NPTF1/16-SC	NPTF1/16"	7,9	5/32"	Steel SC
P0184.NPTF1/8-SC	NPTF1/8"	7,9	3/16"	Steel SC
P0184.NPTF1/4-SC	NPTF1/4"	11,1	1/4"	Steel SC
P0184.NPTF3/8-SC	NPTF3/8"	12,7	5/16"	Steel SC
P0184.NPTF1/2-SC	NPTF1/2"	14,3	3/8"	Steel SC
P0184.NPTF3/4-SC	NPTF3/4"	15,9	9/16"	Steel SC
P0184.NPTF1-SC	NPTF1"	19,0	5/8"	Steel SC
P0184.060-100-ZP	M 6 x1,0	6	3	Steel ZP
P0184.080-100-ZP	M 8 x1,0	8	4	Steel ZP
P0184.100-100-ZP	M10 x1,0	8	5	Steel ZP
P0184.120-150-ZP	M12 x1,5	10	6	Steel ZP
P0184.140-150-ZP	M14 x1,5	10	7	Steel ZP
P0184.160-150-ZP	M16 x1,5	10	8	Steel ZP
P0184.180-150-ZP	M18 x1,5	10	8	Steel ZP
P0184.200-150-ZP	M20 x1,5	10	10	Steel ZP
P0184.220-150-ZP	M22 x1,5	10	10	Steel ZP
P0184.240-150-ZP	M24 x1,5	12	12	Steel ZP
P0184.260-150-ZP	M26 x1,5	12	12	Steel ZP
P0184.270-200-ZP	M27 x2,0	12	12	Steel ZP
P0184.300-150-ZP	M30 x1,5	12	17	Steel ZP
P0184.R1/8-ZP	R1/8"	8	5	Steel ZP
P0184.R1/4-ZP	R1/4"	10	7	Steel ZP
P0184.R3/8-ZP	R3/8"	10	8	Steel ZP
P0184.R1/2-ZP	R1/2"	10	10	Steel ZP
P0184.R3/4-ZP	R3/4"	12	12	Steel ZP
P0184.R1-ZP	R1"	17	12	Steel ZP
P0184.R1-1/4-ZP	R1 1/4"	22	18	Steel ZP
P0184.R1-1/2-ZP	R1 1/2"	24	20	Steel ZP
P0184.080-100-A4	M 8 x1,0	8	4	A4 s/s
P0184.100-100-A4	M10 x1,0	8	5	A4 s/s
P0184.120-150-A4	M12 x1,5	10	6	A4 s/s
P0184.140-150-A4	M14 x1,5	10	7	A4 s/s
P0184.160-150-A4	M16 x1,5	10	8	A4 s/s
P0184.180-150-A4	M18 x1,5	10	8	A4 s/s
P0184.200-150-A4	M20 x1,5	10	10	A4 s/s
P0184.220-150-A4	M22 x1,5	10	10	A4 s/s
P0184.240-150-A4	M24 x1,5	12	12	A4 s/s
P0184.260-150-A4	M26 x1,5	12	12	A4 s/s
P0184.270-200-A4	M27 x2,0	12	12	A4 s/s
P0184.300-150-A4	M30 x1,5	12	17	A4 s/s
P0184.R1/8-A4	R1/8"	8	5	A4 s/s
P0184.R1/4-A4	R1/4"	10	7	A4 s/s
P0184.R3/8-A4	R3/8"	10	8	A4 s/s
P0184.R1/2-A4	R1/2"	10	10	A4 s/s
P0184.R3/4-A4	R3/4"	12	12	A4 s/s
P0184.R1-A4	R1"	17	12	A4 s/s
P0184.R1-1/4-A4	R1 1/4"	22	18	A4 s/s
P0184.R1-1/2-A4	R1 1/2"	24	20	A4 s/s

Order No.	d	h _{JS16}	A/F	Material
P0184.NPT1/8-A4	NPT1/8"	7,9	3/16"	A4 s/s
P0184.NPT1/4-A4	NPT1/4"	11,1	1/4"	A4 s/s
P0184.NPT3/8-A4	NPT3/8"	12,7	5/16"	A4 s/s
P0184.NPT1/2-A4	NPT1/2"	14,3	3/8"	A4 s/s
P0184.NPT3/4-A4	NPT3/4"	15,9	9/16"	A4 s/s
P0184.NPT1-A4	NPT1"	19,0	5/8"	A4 s/s
P0184.080-100-A2	M 8 x1,0	8	4	A2 s/s
P0184.100-100-A2	M10 x1,0	8	5	A2 s/s
P0184.120-150-A2	M12 x1,5	10	6	A2 s/s
P0184.140-150-A2	M14 x1,5	10	7	A2 s/s
P0184.160-150-A2	M16 x1,5	10	8	A2 s/s
P0184.180-150-A2	M18 x1,5	10	8	A2 s/s
P0184.200-150-A2	M20 x1,5	10	10	A2 s/s
P0184.220-150-A2	M22 x1,5	10	10	A2 s/s
P0184.240-150-A2	M24 x1,5	12	12	A2 s/s
P0184.260-150-A2	M26 x1,5	12	12	A2 s/s
P0184.270-200-A2	M27 x2,0	12	12	A2 s/s
P0184.300-150-A2	M30 x1,5	12	17	A2 s/s
P0184.R1/8-A2	R1/8"	8	5	A2 s/s
P0184.R1/4-A2	R1/4"	10	7	A2 s/s
P0184.R3/8-A2	R3/8"	10	8	A2 s/s
P0184.R1/2-A2	R1/2"	10	10	A2s/s
P0184.R3/4-A2	R3/4"	12	12	A2 s/s
P0184.R1-A2	R1"	17	12	A2 s/s
P0184.R1-1/4-A2	R1 1/4"	22	18	A2 s/s
P0184.R1-1/2-A2	R1 1/2"	24	20	A2 s/s
P0184.080-100-BR	M 8 x1,0	8	4	Brass
P0184.100-100-BR	M10 x1,0	8	5	Brass
P0184.120-150-BR	M12 x1,5	10	6	Brass
P0184.140-150-BR	M14 x1,5	10	7	Brass
P0184.160-150-BR	M16 x1,5	10	8	Brass
P0184.180-150-BR	M18 x1,5	10	8	Brass
P0184.200-150-BR	M20 x1,5	10	10	Brass
P0184.220-150-BR	M22 x1,5	10	10	Brass
P0184.R1/8-BR	R1/8"	8	5	Brass
P0184.R1/4-BR	R1/4"	10	7	Brass
P0184.R3/8-BR	R3/8"	10	8	Brass
P0184.R1/2-BR	R1/2"	10	10	Brass
P0184.R3/4-BR	R3/4"	12	12	Brass
P0184.R1-BR	R1"	17	12	Brass
P0184.R1-1/4-BR	R1 1/4"	22	18	Brass
P0184.R1-1/2-BR	R1 1/2"	24	20	Brass
P0184.NPT1/16-BR	NPT1/16"	7,9	5/32"	Brass
P0184.NPT1/8-BR	NPT1/8"	7,9	3/16"	Brass
P0184.NPT1/4-BR	NPT1/4"	11,1	1/4"	Brass
P0184.NPT3/8-BR	NPT3/8"	12,7	5/16"	Brass
P0184.NPT1/2-BR	NPT1/2"	14,3	3/8"	Brass
P0184.NPT3/4-BR	NPT3/4"	15,9	9/16"	Brass
P0184.NPT1-BR	NPT1"	19,0	5/8"	Brass



P0187



Material

Steel (self-colour), stainless steel (A4, AISI 316) or brass.

Technical Notes

To DIN 7604A. Most metric screw plug threads are fine threads.

Tightening torque is dependent on fluid, pressure, temperature, and material pairing.

Tips

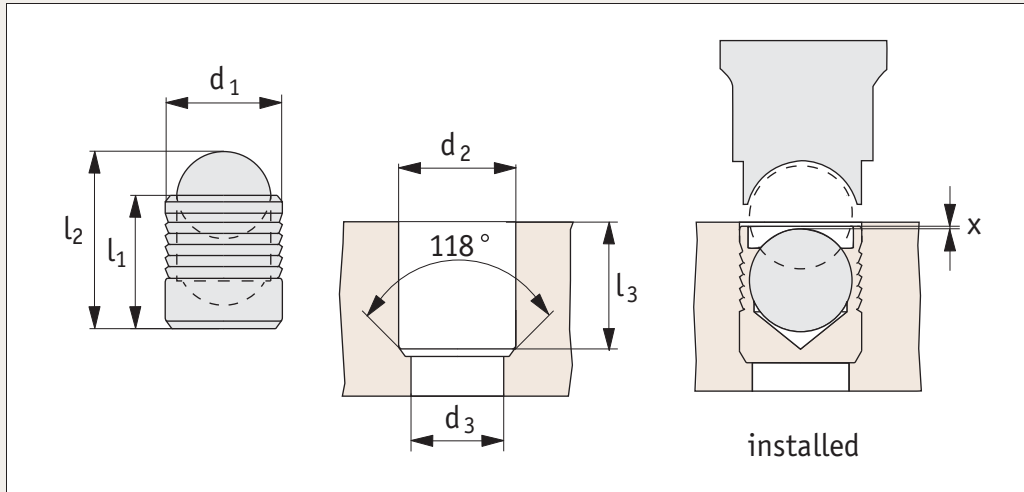
Also available on request with O rings (NBR, Viton, EPDM, Silicone etc), permanent magnet, and polyamide melt seal under head.

Order No.	d ₁ x p	l ₁	l ₂ +0.2, -0	h	d ₂ h14	A/F	Material
P0187.010-100-ZP	M10 x1,0	6	0,5	4	14	14	Steel ZP
P0187.012-150-ZP	M12 x1,5	9	0,5	6	17	17	Steel ZP
P0187.014-150-ZP	M14 x1,5	9	0,5	6	19	19	Steel ZP
P0187.016-150-ZP	M16 x1,5	9	0,5	6	21	22	Steel ZP
P0187.018-150-ZP	M18 x1,5	9	2	6	23	17	Steel ZP
P0187.022-150-ZP	M22 x1,5	9	2	6	27	19	Steel ZP
P0187.026-150-ZP	M26 x1,5	9	2,5	8	31	22	Steel ZP
P0187.030-150-ZP	M30 x1,5	9	2,5	8	36	22	Steel ZP
P0187.010-100-SC	M10 x1,0	6	0,5	4	14	14	Steel SC
P0187.012-150-SC	M12 x1,5	9	0,5	6	17	17	Steel SC
P0187.014-150-SC	M14 x1,5	9	0,5	6	19	19	Steel SC
P0187.016-150-SC	M16 x1,5	9	0,5	6	21	22	Steel SC
P0187.018-150-SC	M18 x1,5	9	2	6	23	17	Steel SC
P0187.022-150-SC	M22 x1,5	9	2	6	27	19	Steel SC
P0187.026-150-SC	M26 x1,5	9	2,5	8	31	22	Steel SC
P0187.030-150-SC	M30 x1,5	9	2,5	8	36	22	Steel SC

Order No.	d ₁ x p	l ₁	l ₂ +0.2, -0	h	d ₂ h14	A/F	Material
P0187.010-100-A4	M10 x1,0	6	0,5	4	14	14	A4 s/s
P0187.012-150-A4	M12 x1,5	9	0,5	6	17	17	A4 s/s
P0187.014-150-A4	M14 x1,5	9	0,5	6	19	19	A4 s/s
P0187.016-150-A4	M16 x1,5	9	0,5	6	21	22	A4 s/s
P0187.018-150-A4	M18 x1,5	9	2	6	23	17	A4 s/s
P0187.022-150-A4	M22 x1,5	9	2	6	27	19	A4 s/s
P0187.026-150-A4	M26 x1,5	9	2,5	8	31	22	A4 s/s
P0187.030-150-A4	M30 x1,5	9	2,5	8	36	22	A4 s/s
P0187.010-100-BR	M10 x1,0	6	0,5	4	14	14	Brass
P0187.012-150-BR	M12 x1,5	9	0,5	6	17	17	Brass
P0187.014-150-BR	M14 x1,5	9	0,5	6	19	19	Brass
P0187.016-150-BR	M16 x1,5	9	0,5	6	21	22	Brass
P0187.018-150-BR	M18 x1,5	9	2	6	23	17	Brass
P0187.022-150-BR	M22 x1,5	9	2	6	27	19	Brass
P0187.026-150-BR	M26 x1,5	9	2,5	8	31	22	Brass
P0187.030-150-BR	M30 x1,5	9	2,5	8	36	22	Brass



P0190



Material

Plug body: case hardened steel (zinc-plated), stainless steel (A2, AISI 303 & A4 AISI 316) or aluminium (2024-T4).
Ball: heat-treated bearing steel or stainless steel (A2, AISI 303 & A4 AISI 316).

Technical Notes

These high pressure sealing plugs are used to blank off externally drilled holes for air and gas.
No need for tapping, reaming, machining of O-ring grooves or the use of tapes or sealants.

Ensure the ball is fully seated before applying pressure.

Tips

Working pressure up to 450 bar (dependent on body material and material into which installed).
Please consult technical pages for installation instructions and performance data.

Important Notes

Please refer to technical pages for product installation details.

Order No.	d ₁	l ₁	l ₂	d ₂ +0.1, -0.0	d ₃ max.	l ₃ min.	x ±0.2	Body	Ball
P0190.030-ZP-BS	3,0	3,6	4,6	3,0	2,2	3,4	0,4	Steel ZP	Steel
P0190.040-ZP-BS	4,0	4,0	5,2	4,0	3,3	3,8	0,2	Steel ZP	Steel
P0190.050-ZP-BS	5,0	5,5	7,1	5,0	4,3	5,3	0,4	Steel ZP	Steel
P0190.060-ZP-BS	6,0	6,5	8,7	6,0	5,3	6,3	0,4	Steel ZP	Steel
P0190.070-ZP-BS	7,0	7,5	10,2	7,0	6,4	7,3	0,4	Steel ZP	Steel
P0190.080-ZP-BS	8,0	8,5	11,6	8,0	7,4	8,3	0,3	Steel ZP	Steel
P0190.090-ZP-BS	9,0	10,0	13,6	9,0	8,4	9,8	0,4	Steel ZP	Steel
P0190.100-ZP-BS	10,0	11,0	15,2	10,0	9,4	10,8	0,4	Steel ZP	Steel
P0190.120-ZP-BS	12,0	13,0	17,9	12,0	10,6	12,8	0,4	Steel ZP	Steel
P0190.140-ZP-BS	14,0	15,0	20,6	14,0	12,7	14,5	0,4	Steel ZP	Steel
P0190.160-ZP-BS	16,0	17,0	23,4	16,0	14,7	16,5	0,6	Steel ZP	Steel
P0190.180-ZP-BS	18,0	19,0	26,4	18,0	16,7	18,5	0,6	Steel ZP	Steel
P0190.200-ZP-BS	20,0	22,0	30,1	20,0	18,7	21,5	0,8	Steel ZP	Steel
P0190.220-ZP-BS	22,0	25,0	34,0	22,0	20,7	24,5	0,8	Steel ZP	Steel
P0190.030-A2-BS	3,0	3,6	4,6	3,0	2,2	3,4	0,4	A2 s/s	Steel
P0190.040-A2-BS	4,0	4,0	5,2	4,0	3,3	3,8	0,2	A2 s/s	Steel
P0190.050-A2-BS	5,0	5,5	7,1	5,0	4,3	5,3	0,4	A2 s/s	Steel
P0190.060-A2-BS	6,0	6,5	8,7	6,0	5,3	6,3	0,4	A2 s/s	Steel
P0190.070-A2-BS	7,0	7,5	10,2	7,0	6,4	7,3	0,4	A2 s/s	Steel
P0190.080-A2-BS	8,0	8,5	11,6	8,0	7,4	8,3	0,3	A2 s/s	Steel
P0190.090-A2-BS	9,0	10,0	13,6	9,0	8,4	9,8	0,4	A2 s/s	Steel
P0190.100-A2-BS	10,0	11,0	15,2	10,0	9,4	10,8	0,4	A2 s/s	Steel
P0190.120-A2-BS	12,0	13,0	17,9	12,0	10,6	12,8	0,4	A2 s/s	Steel
P0190.140-A2-BS	14,0	15,0	20,6	14,0	12,7	14,5	0,4	A2 s/s	Steel

Expansion Sealing Plugs

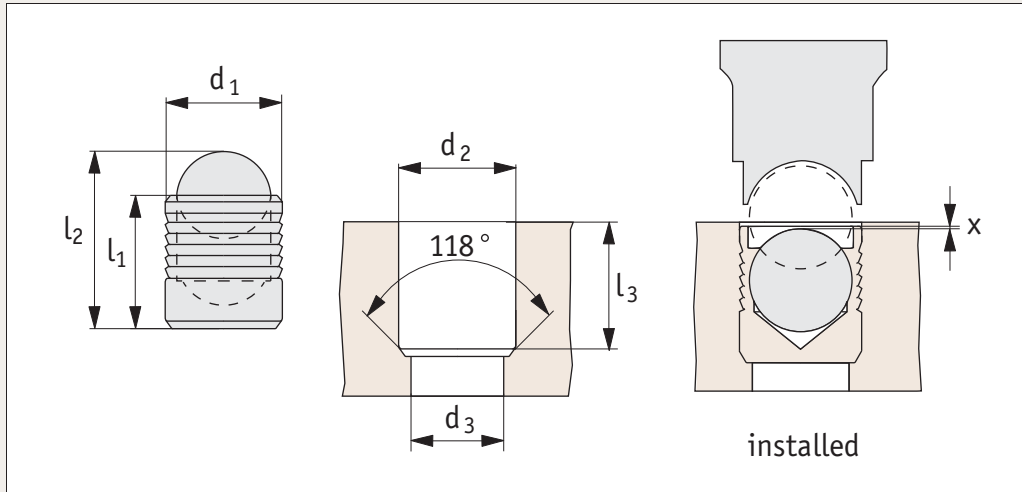
metric, standard

Expansion Plugs

Order No.	d ₁	l ₁	l ₂	d ₂ +0.1, - 0.0	d ₃ max.	l ₃ min.	x ±0.2	Body	Ball
P0190.160-A2-BS	16,0	17,0	23,4	16,0	14,7	16,5	0,6	A2 s/s	Steel
P0190.180-A2-BS	18,0	19,0	26,4	18,0	16,7	18,5	0,6	A2 s/s	Steel
P0190.200-A2-BS	20,0	22,0	30,1	20,0	18,7	21,5	0,8	A2 s/s	Steel
P0190.220-A2-BS	22,0	25,0	34,0	22,0	20,7	24,5	0,8	A2 s/s	Steel
P0190.030-A2-A2	3,0	3,6	4,6	3,0	2,2	3,4	0,4	A2 s/s	A2 s/s
P0190.040-A2-A2	4,0	4,0	5,2	4,0	3,3	3,8	0,2	A2 s/s	A2 s/s
P0190.050-A2-A2	5,0	5,5	7,1	5,0	4,3	5,3	0,4	A2 s/s	A2 s/s
P0190.060-A2-A2	6,0	6,5	8,7	6,0	5,3	6,3	0,4	A2 s/s	A2 s/s
P0190.070-A2-A2	7,0	7,5	10,2	7,0	6,4	7,3	0,4	A2 s/s	A2 s/s
P0190.080-A2-A2	8,0	8,5	11,6	8,0	7,4	8,3	0,3	A2 s/s	A2 s/s
P0190.090-A2-A2	9,0	10,0	13,6	9,0	8,4	9,8	0,4	A2 s/s	A2 s/s
P0190.100-A2-A2	10,0	11,0	15,2	10,0	9,4	10,8	0,4	A2 s/s	A2 s/s
P0190.120-A2-A2	12,0	13,0	17,9	12,0	10,6	12,8	0,4	A2 s/s	A2 s/s
P0190.140-A2-A2	14,0	15,0	20,6	14,0	12,7	14,5	0,4	A2 s/s	A2 s/s
P0190.160-A2-A2	16,0	17,0	23,4	16,0	14,7	16,5	0,6	A2 s/s	A2 s/s
P0190.180-A2-A2	18,0	19,0	26,4	18,0	16,7	18,5	0,6	A2 s/s	A2 s/s
P0190.200-A2-A2	20,0	22,0	30,1	20,0	18,7	21,5	0,8	A2 s/s	A2 s/s
P0190.220-A2-A2	22,0	25,0	34,0	22,0	20,7	24,5	0,8	A2 s/s	A2 s/s
P0190.030-A4-A4	3,0	3,6	4,6	3,0	2,2	3,4	0,4	A4 s/s	A4 s/s
P0190.040-A4-A4	4,0	4,0	5,2	4,0	3,3	3,8	0,2	A4 s/s	A4 s/s
P0190.050-A4-A4	5,0	5,5	7,1	5,0	4,3	5,3	0,4	A4 s/s	A4 s/s
P0190.060-A4-A4	6,0	6,5	8,7	6,0	5,3	6,3	0,4	A4 s/s	A4 s/s
P0190.070-A4-A4	7,0	7,5	10,2	7,0	6,4	7,3	0,4	A4 s/s	A4 s/s
P0190.080-A4-A4	8,0	8,5	11,6	8,0	7,4	8,3	0,3	A4 s/s	A4 s/s
P0190.090-A4-A4	9,0	10,0	13,6	9,0	8,4	9,8	0,4	A4 s/s	A4 s/s
P0190.100-A4-A4	10,0	11,0	15,2	10,0	9,4	10,8	0,4	A4 s/s	A4 s/s
P0190.120-A4-A4	12,0	13,0	17,9	12,0	10,6	12,8	0,4	A4 s/s	A4 s/s
P0190.140-A4-A4	14,0	15,0	20,6	14,0	12,7	14,5	0,4	A4 s/s	A4 s/s
P0190.160-A4-A4	16,0	17,0	23,4	16,0	14,7	16,5	0,6	A4 s/s	A4 s/s
P0190.180-A4-A4	18,0	19,0	26,4	18,0	16,7	18,5	0,6	A4 s/s	A4 s/s
P0190.200-A4-A4	20,0	22,0	30,1	20,0	18,7	21,5	0,8	A4 s/s	A4 s/s
P0190.220-A4-A4	22,0	25,0	34,0	22,0	20,7	24,5	0,8	A4 s/s	A4 s/s
P0190.030-AL-A2	3,0	3,6	4,6	3,0	2,2	3,4	0,4	Aluminium	A2 s/s
P0190.040-AL-A2	4,0	4,0	5,2	4,0	3,3	3,8	0,2	Aluminium	A2 s/s
P0190.050-AL-A2	5,0	5,5	7,1	5,0	4,3	5,3	0,4	Aluminium	A2 s/s
P0190.060-AL-A2	6,0	6,5	8,7	6,0	5,3	6,3	0,4	Aluminium	A2 s/s
P0190.070-AL-A2	7,0	7,5	10,2	7,0	6,4	7,3	0,4	Aluminium	A2 s/s
P0190.080-AL-A2	8,0	8,5	11,6	8,0	7,4	8,3	0,3	Aluminium	A2 s/s
P0190.090-AL-A2	9,0	10,0	13,6	9,0	8,4	9,8	0,4	Aluminium	A2 s/s
P0190.100-AL-A2	10,0	11,0	15,2	10,0	9,4	10,8	0,4	Aluminium	A2 s/s
P0190.120-AL-A2	12,0	13,0	17,9	12,0	10,6	12,8	0,4	Aluminium	A2 s/s
P0190.140-AL-A2	14,0	15,0	20,6	14,0	12,7	14,5	0,4	Aluminium	A2 s/s
P0190.160-AL-A2	16,0	17,0	23,4	16,0	14,7	16,5	0,6	Aluminium	A2 s/s
P0190.180-AL-A2	18,0	19,0	26,4	18,0	16,7	18,5	0,6	Aluminium	A2 s/s
P0190.200-AL-A2	20,0	22,0	30,1	20,0	18,7	21,5	0,8	Aluminium	A2 s/s
P0190.220-AL-A2	22,0	25,0	34,0	22,0	20,7	24,5	0,8	Aluminium	A2 s/s



P0191



Material

Plug body: case hardened steel (zinc-plated), stainless steel (A2, AISI 303 & A4 AISI 316) or aluminium (2024-T4).
Ball: heat-treated bearing steel or stainless steel (A2, AISI 303 & A4 AISI 316).

Technical Notes

These high pressure sealing plugs are used to blank off externally drilled holes for air and gas.
No need for tapping, reaming, machining of O-ring grooves or the use of tapes or sealants.

Ensure the ball is fully seated before applying

pressure.

Dimensions in inches.

Tips

Working pressure up to 450 bar (dependent on body material and material into which installed).
Please consult technical pages for installation instructions and performance data.

Important Notes

Please refer to technical pages for product installation details.

Order No.	d ₁	l ₁	l ₂	d ₂ +0.004, - 0.00	d ₃ max.	l ₃ min.	x +0.0, - 0.010	Body	Ball
P0191.093-ZP-BS	0,0937	0,098	0,12	0,0937	0,070	0,081	0,010	Steel ZP	Steel
P0191.125-ZP-BS	0,1250	0,125	0,16	0,1250	0,100	0,113	0,010	Steel ZP	Steel
P0191.156-ZP-BS	0,1562	0,125	0,17	0,1562	0,130	0,113	0,010	Steel ZP	Steel
P0191.187-ZP-BS	0,1875	0,187	0,24	0,1875	0,160	0,170	0,010	Steel ZP	Steel
P0191.218-ZP-BS	0,2187	0,187	0,25	0,2187	0,190	0,170	0,010	Steel ZP	Steel
P0191.250-ZP-BS	0,2500	0,225	0,30	0,2500	0,220	0,196	0,010	Steel ZP	Steel
P0191.281-ZP-BS	0,2812	0,225	0,35	0,2812	0,250	0,233	0,010	Steel ZP	Steel
P0191.312-ZP-BS	0,3125	0,280	0,39	0,3125	0,281	0,255	0,010	Steel ZP	Steel
P0191.343-ZP-BS	0,3437	0,307	0,43	0,3437	0,312	0,275	0,010	Steel ZP	Steel
P0191.406-ZP-BS	0,4062	0,365	0,52	0,4062	0,375	0,308	0,010	Steel ZP	Steel
P0191.093-A2-BS	0,0937	0,098	0,12	0,0937	0,070	0,081	0,010	A2 s/s	Steel
P0191.125-A2-BS	0,1250	0,125	0,16	0,1250	0,100	0,113	0,010	A2 s/s	Steel
P0191.156-A2-BS	0,1562	0,125	0,17	0,1562	0,130	0,113	0,010	A2 s/s	Steel
P0191.187-A2-BS	0,1875	0,187	0,24	0,1875	0,160	0,170	0,010	A2 s/s	Steel
P0191.218-A2-BS	0,2187	0,187	0,25	0,2187	0,190	0,170	0,010	A2 s/s	Steel
P0191.250-A2-BS	0,2500	0,225	0,30	0,2500	0,220	0,196	0,010	A2 s/s	Steel
P0191.281-A2-BS	0,2812	0,225	0,35	0,2812	0,250	0,233	0,010	A2 s/s	Steel
P0191.312-A2-BS	0,3125	0,280	0,39	0,3125	0,281	0,255	0,010	A2 s/s	Steel
P0191.343-A2-BS	0,3437	0,307	0,43	0,3437	0,312	0,275	0,010	A2 s/s	Steel
P0191.406-A2-BS	0,4062	0,365	0,52	0,4062	0,375	0,308	0,010	A2 s/s	Steel
P0191.093-A2-A2	0,0937	0,098	0,12	0,0937	0,070	0,081	0,010	A2 s/s	A2 s/s
P0191.125-A2-A2	0,1250	0,125	0,16	0,1250	0,100	0,113	0,010	A2 s/s	A2 s/s
P0191.156-A2-A2	0,1562	0,125	0,17	0,1562	0,130	0,113	0,010	A2 s/s	A2 s/s

Expansion Sealing Plugs - Inch

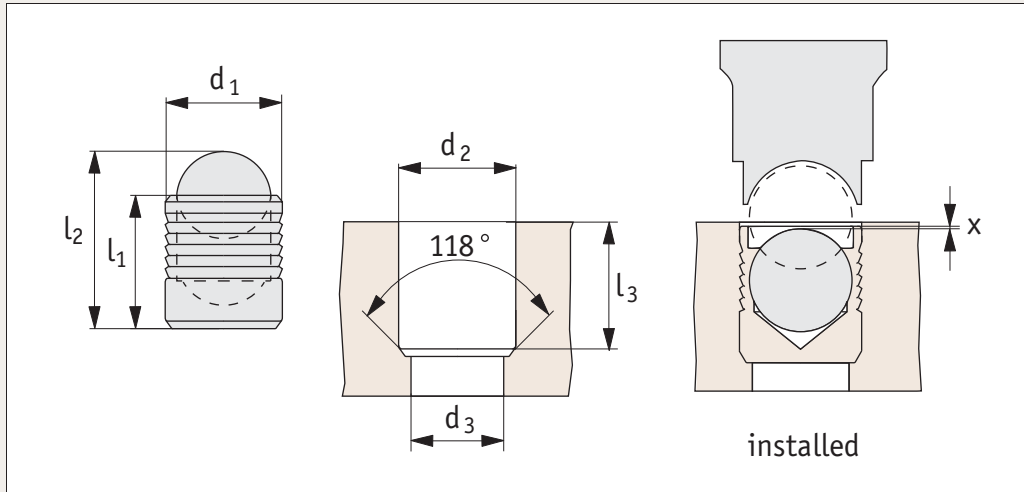
inch, short

Expansion Plugs

Order No.	d ₁	l ₁	l ₂	d ₂ +0.004, - 0.00	d ₃ max.	l ₃ min.	x +0.0, - 0.010	Body	Ball
P0191.187-A2-A2	0,1875	0,187	0,24	0,1875	0,160	0,170	0,010	A2 s/s	A2 s/s
P0191.218-A2-A2	0,2187	0,187	0,25	0,2187	0,190	0,170	0,010	A2 s/s	A2 s/s
P0191.250-A2-A2	0,2500	0,225	0,30	0,2500	0,220	0,196	0,010	A2 s/s	A2 s/s
P0191.281-A2-A2	0,2812	0,225	0,35	0,2812	0,250	0,233	0,010	A2 s/s	A2 s/s
P0191.312-A2-A2	0,3125	0,280	0,39	0,3125	0,281	0,255	0,010	A2 s/s	A2 s/s
P0191.343-A2-A2	0,3437	0,307	0,43	0,3437	0,312	0,275	0,010	A2 s/s	A2 s/s
P0191.406-A2-A2	0,4062	0,365	0,52	0,4062	0,375	0,308	0,010	A2 s/s	A2 s/s
P0191.093-A4-A4	0,0937	0,098	0,12	0,0937	0,070	0,081	0,010	A4 s/s	A4 s/s
P0191.125-A4-A4	0,1250	0,125	0,16	0,1250	0,100	0,113	0,010	A4 s/s	A4 s/s
P0191.156-A4-A4	0,1562	0,125	0,17	0,1562	0,130	0,113	0,010	A4 s/s	A4 s/s
P0191.187-A4-A4	0,1875	0,187	0,24	0,1875	0,160	0,170	0,010	A4 s/s	A4 s/s
P0191.218-A4-A4	0,2187	0,187	0,25	0,2187	0,190	0,170	0,010	A4 s/s	A4 s/s
P0191.250-A4-A4	0,2500	0,225	0,30	0,2500	0,220	0,196	0,010	A4 s/s	A4 s/s
P0191.281-A4-A4	0,2812	0,225	0,35	0,2812	0,250	0,233	0,010	A4 s/s	A4 s/s
P0191.312-A4-A4	0,3125	0,280	0,39	0,3125	0,281	0,255	0,010	A4 s/s	A4 s/s
P0191.343-A4-A4	0,3437	0,307	0,43	0,3437	0,312	0,275	0,010	A4 s/s	A4 s/s
P0191.406-A4-A4	0,4062	0,365	0,52	0,4062	0,375	0,308	0,010	A4 s/s	A4 s/s
P0191.093-AL-A2	0,0937	0,098	0,12	0,0937	0,070	0,081	0,010	Aluminium	A2 s/s
P0191.125-AL-A2	0,1250	0,125	0,16	0,1250	0,100	0,113	0,010	Aluminium	A2 s/s
P0191.156-AL-A2	0,1562	0,125	0,17	0,1562	0,130	0,113	0,010	Aluminium	A2 s/s
P0191.187-AL-A2	0,1875	0,187	0,24	0,1875	0,160	0,170	0,010	Aluminium	A2 s/s
P0191.218-AL-A2	0,2187	0,187	0,25	0,2187	0,190	0,170	0,010	Aluminium	A2 s/s
P0191.250-AL-A2	0,2500	0,225	0,30	0,2500	0,220	0,196	0,010	Aluminium	A2 s/s
P0191.281-AL-A2	0,2812	0,225	0,35	0,2812	0,250	0,233	0,010	Aluminium	A2 s/s
P0191.312-AL-A2	0,3125	0,280	0,39	0,3125	0,281	0,255	0,010	Aluminium	A2 s/s
P0191.343-AL-A2	0,3437	0,307	0,43	0,3437	0,312	0,275	0,010	Aluminium	A2 s/s
P0191.406-AL-A2	0,4062	0,365	0,52	0,4062	0,375	0,308	0,010	Aluminium	A2 s/s



P0192



Material

Plug body: case hardened steel (zinc-plated), stainless steel (A2, AISI 303 & A4 AISI 316) or aluminium (2024-T4).
Ball: heat-treated bearing steel or stainless steel (A2, AISI 303 & A4 AISI 316).

Technical Notes

These high pressure sealing plugs are used to blank off externally drilled holes for air and gas.
No need for tapping, reaming, machining of O-ring grooves or the use of tapes or sealants.
Ensure the ball is fully seated before applying

pressure.

Dimensions in inches.

Tips

Working pressure up to 450 bar (dependent on body material and material into which installed).
Please consult technical pages for installation instructions and performance data.

Important Notes

Please refer to technical pages for product installation details.

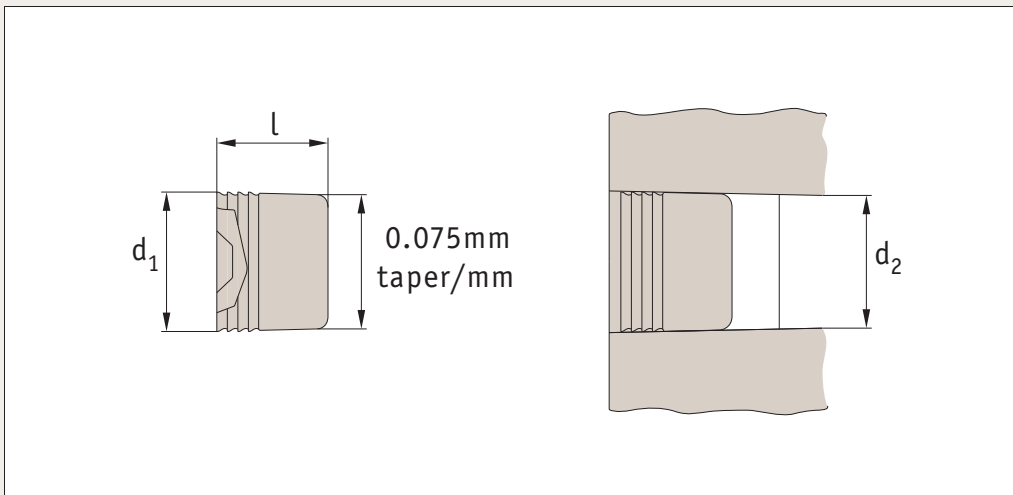
Order No.	d ₁	l ₁	l ₂	d ₂ +0.004, - 0.00	d ₃ max.	l ₃ min.	x +0.0, - 0.010	Body	Ball
P0192.156-ZP-BS	0,1562	0,157	0,21	0,1562	0,130	0,150	0,010	Steel ZP	Steel
P0192.187-ZP-BS	0,1875	0,216	0,28	0,1875	0,160	0,209	0,010	Steel ZP	Steel
P0192.218-ZP-BS	0,2187	0,220	0,28	0,2187	0,190	0,208	0,010	Steel ZP	Steel
P0192.250-ZP-BS	0,2500	0,256	0,34	0,2500	0,220	0,248	0,010	Steel ZP	Steel
P0192.281-ZP-BS	0,2812	0,295	0,40	0,2812	0,250	0,287	0,010	Steel ZP	Steel
P0192.312-ZP-BS	0,3125	0,334	0,46	0,3125	0,281	0,327	0,010	Steel ZP	Steel
P0192.343-ZP-BS	0,3437	0,394	0,53	0,3437	0,312	0,385	0,010	Steel ZP	Steel
P0192.375-ZP-BS	0,3750	0,433	0,60	0,3750	0,343	0,425	0,010	Steel ZP	Steel
P0192.406-ZP-BS	0,4062	0,437	0,59	0,4062	0,375	0,425	0,010	Steel ZP	Steel
P0192.437-ZP-BS	0,4375	0,515	0,68	0,4375	0,406	0,503	0,010	Steel ZP	Steel
P0192.468-ZP-BS	0,4687	0,512	0,71	0,4687	0,437	0,504	0,010	Steel ZP	Steel
P0192.156-A2-BS	0,1562	0,157	0,21	0,1562	0,130	0,150	0,010	A2 s/s	Steel
P0192.187-A2-BS	0,1875	0,216	0,28	0,1875	0,160	0,209	0,010	A2 s/s	Steel
P0192.218-A2-BS	0,2187	0,220	0,28	0,2187	0,190	0,208	0,010	A2 s/s	Steel
P0192.250-A2-BS	0,2500	0,256	0,34	0,2500	0,220	0,248	0,010	A2 s/s	Steel
P0192.281-A2-BS	0,2812	0,295	0,40	0,2812	0,250	0,287	0,010	A2 s/s	Steel
P0192.312-A2-BS	0,3125	0,334	0,46	0,3125	0,281	0,327	0,010	A2 s/s	Steel
P0192.343-A2-BS	0,3437	0,394	0,53	0,3437	0,312	0,385	0,010	A2 s/s	Steel
P0192.375-A2-BS	0,3750	0,433	0,60	0,3750	0,343	0,425	0,010	A2 s/s	Steel
P0192.406-A2-BS	0,4062	0,437	0,59	0,4062	0,375	0,425	0,010	A2 s/s	Steel
P0192.437-A2-BS	0,4375	0,515	0,68	0,4375	0,406	0,503	0,010	A2 s/s	Steel
P0192.468-A2-BS	0,4687	0,512	0,71	0,4687	0,437	0,504	0,010	A2 s/s	Steel
P0192.156-A2-A2	0,1562	0,157	0,21	0,1562	0,130	0,150	0,010	A2 s/s	A2 s/s

Expansion Sealing Plugs - Inch

inch, standard

Expansion Plugs

Order No.	d ₁	l ₁	l ₂	d ₂ +0.004, - 0.00	d ₃ max.	l ₃ min.	x +0.0, - 0.010	Body	Ball
P0192.187-A2-A2	0,1875	0,216	0,28	0,1875	0,160	0,209	0,010	A2 s/s	A2 s/s
P0192.218-A2-A2	0,2187	0,220	0,28	0,2187	0,190	0,208	0,010	A2 s/s	A2 s/s
P0192.250-A2-A2	0,2500	0,256	0,34	0,2500	0,220	0,248	0,010	A2 s/s	A2 s/s
P0192.281-A2-A2	0,2812	0,295	0,40	0,2812	0,250	0,287	0,010	A2 s/s	A2 s/s
P0192.312-A2-A2	0,3125	0,334	0,46	0,3125	0,281	0,327	0,010	A2 s/s	A2 s/s
P0192.343-A2-A2	0,3437	0,394	0,53	0,3437	0,312	0,385	0,010	A2 s/s	A2 s/s
P0192.375-A2-A2	0,3750	0,433	0,60	0,3750	0,343	0,425	0,010	A2 s/s	A2 s/s
P0192.406-A2-A2	0,4062	0,437	0,59	0,4062	0,375	0,425	0,010	A2 s/s	A2 s/s
P0192.437-A2-A2	0,4375	0,515	0,68	0,4375	0,406	0,503	0,010	A2 s/s	A2 s/s
P0192.468-A2-A2	0,4687	0,512	0,71	0,4687	0,437	0,504	0,010	A2 s/s	A2 s/s
P0192.156-A4-A4	0,1562	0,157	0,21	0,1562	0,130	0,150	0,010	A4 s/s	A4 s/s
P0192.187-A4-A4	0,1875	0,216	0,28	0,1875	0,160	0,209	0,010	A4 s/s	A4 s/s
P0192.218-A4-A4	0,2187	0,220	0,28	0,2187	0,190	0,208	0,010	A4 s/s	A4 s/s
P0192.250-A4-A4	0,2500	0,256	0,34	0,2500	0,220	0,248	0,010	A4 s/s	A4 s/s
P0192.281-A4-A4	0,2812	0,295	0,40	0,2812	0,250	0,287	0,010	A4 s/s	A4 s/s
P0192.312-A4-A4	0,3125	0,334	0,46	0,3125	0,281	0,327	0,010	A4 s/s	A4 s/s
P0192.343-A4-A4	0,3437	0,394	0,53	0,3437	0,312	0,385	0,010	A4 s/s	A4 s/s
P0192.375-A4-A4	0,3750	0,433	0,60	0,3750	0,343	0,425	0,010	A4 s/s	A4 s/s
P0192.406-A4-A4	0,4062	0,437	0,59	0,4062	0,375	0,425	0,010	A4 s/s	A4 s/s
P0192.437-A4-A4	0,4375	0,515	0,68	0,4375	0,406	0,503	0,010	A4 s/s	A4 s/s
P0192.468-A4-A4	0,4687	0,512	0,71	0,4687	0,437	0,504	0,010	A4 s/s	A4 s/s
P0192.156-AL-A2	0,1562	0,157	0,21	0,1562	0,130	0,150	0,010	Aluminium	A2 s/s
P0192.187-AL-A2	0,1875	0,216	0,28	0,1875	0,160	0,209	0,010	Aluminium	A2 s/s
P0192.218-AL-A2	0,2187	0,220	0,28	0,2187	0,190	0,208	0,010	Aluminium	A2 s/s
P0192.250-AL-A2	0,2500	0,256	0,34	0,2500	0,220	0,248	0,010	Aluminium	A2 s/s
P0192.281-AL-A2	0,2812	0,295	0,40	0,2812	0,250	0,287	0,010	Aluminium	A2 s/s
P0192.312-AL-A2	0,3125	0,334	0,46	0,3125	0,281	0,327	0,010	Aluminium	A2 s/s
P0192.343-AL-A2	0,3437	0,394	0,53	0,3437	0,312	0,385	0,010	Aluminium	A2 s/s
P0192.375-AL-A2	0,3750	0,433	0,60	0,3750	0,343	0,425	0,010	Aluminium	A2 s/s
P0192.406-AL-A2	0,4062	0,437	0,59	0,4062	0,375	0,425	0,010	Aluminium	A2 s/s
P0192.437-AL-A2	0,4375	0,515	0,68	0,4375	0,406	0,503	0,010	Aluminium	A2 s/s
P0192.468-AL-A2	0,4687	0,512	0,71	0,4687	0,437	0,504	0,010	Aluminium	A2 s/s



P0194

Material

Aluminium (6061).

Technical Notes

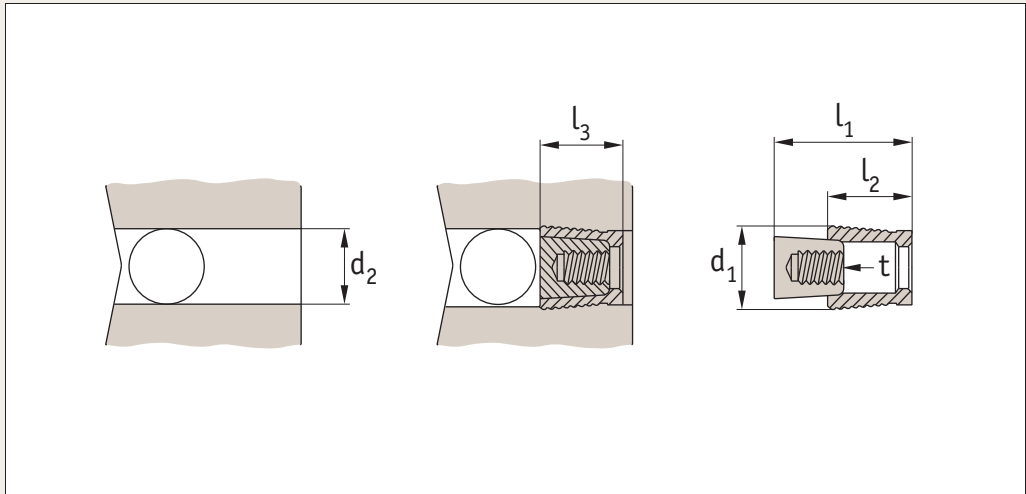
These are high pressure sealing plugs with a 0.075mm/mm taper over their length.

Burst pressure 35 bar (500 psi).

Order No.	Size	d ₁	l	d _{2 max.}
P0194.070	7	7,01	5,5	6,50
P0194.090	9	9,01	5,5	8,38
P0194.110	11	11,03	5,5	10,39
P0194.130	13	13,03	5,5	12,40
P0194.160	16	16,08	5,5	15,39



P0195



Material

Sleeve: case-hardened steel, black oxide finish.
Pin: heat-treatable steel, black oxide finish.

Technical Notes

These high pressure sealing plugs are used to blank off externally drilled holes for air and gas.

No need for tapping, reaming, machining of O-ring grooves or the use of tapes or sealants.

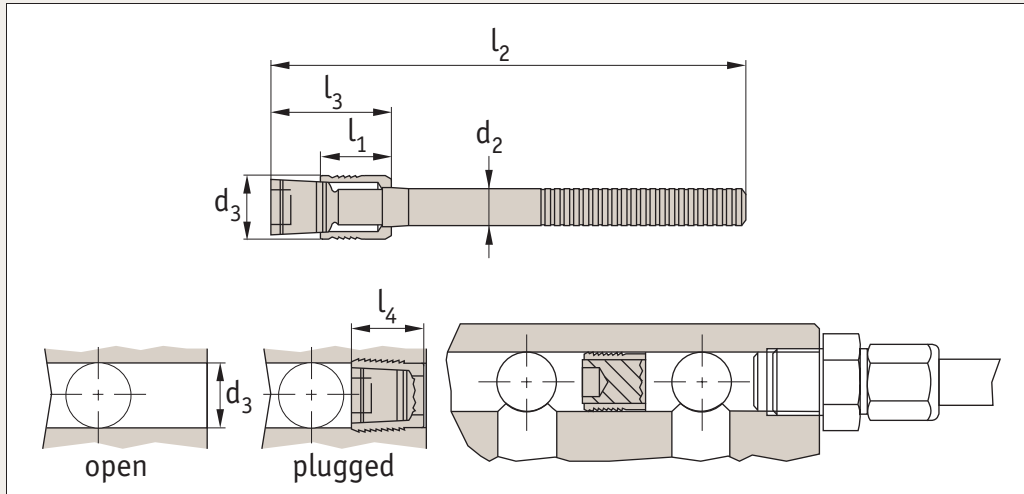
Important Notes

Please refer to technical pages for product installation details.

Order No.	d ₁	l ₁	d ₂ +0.1,-0.0	l ₂	l ₃	t
P0195.070	7,0	13,0	7,0	7,5	8,0	4-40 UNC
P0195.080	8,0	14,0	8,0	8,5	9,0	6-32 UNC
P0195.090	9,0	16,0	9,0	9,5	10,0	8-32 UNC
P0195.100	10,0	18,0	10,0	10,5	11,0	10-32 UNC
P0195.120	12,0	21,0	12,0	12,5	13,0	10-32 UNC
P0195.140	14,0	25,0	14,0	14,5	15,0	1/4-20 UNC
P0195.160	16,0	28,0	16,0	16,5	17,0	1/4-20 UNC
P0195.180	18,0	31,5	18,0	18,5	19,0	5/16-18 UNC
P0195.200	20,0	35,0	20,0	20,5	21,0	3/8-16 UNC
P0195.220	22,0	38,5	22,0	22,5	23,0	3/8-16 UNC



P0197



Material

Sleeve: case-hardened steel, black oxide finish.
Mandrel: heat-treated steel, black oxide finish.

Technical Notes

These high pressure sealing plugs are used to blank off externally drilled holes for air and gas.
No need for tapping, reaming, machining of O-ring grooves or the use of tapes or sealants.
Short version - with short mandrel.
Long version - with long mandrel.

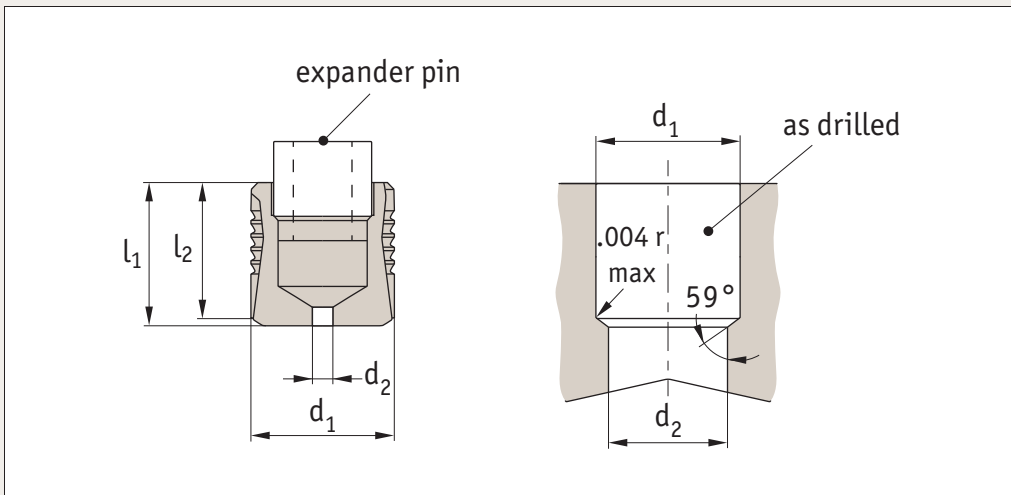
Tips

Working pressure up to 450 bar (dependent on body material and material into which installed).
Pulling on the mandrel forces the plug insert into the plug body, expanding the body out to grip on the channel walls.
At a set pressure the mandrel then breaks off and is removed with the plug remaining firmly set inside the bore.

Important Notes

Please refer to technical pages for product installation details.

Order No.	Type	d ₁	l ₁	l ₂	d ₂	d ₃ +0.12, -0.0	l ₃ max.	l ₄ max.
P0197.040-S	Short	4,0	4,0	39	2,50	4,0	9,0	6,5
P0197.050-S	Short	5,0	5,5	41	3,00	5,0	10,0	7,5
P0197.060-S	Short	6,0	6,5	43	3,40	6,0	12,0	8,0
P0197.070-S	Short	7,0	7,5	38	4,10	7,0	14,0	9,0
P0197.080-S	Short	8,0	8,5	40	4,20	8,0	15,0	10,5
P0197.090-S	Short	9,0	9,5	43	4,50	9,0	17,0	11,0
P0197.100-S	Short	10,0	10,5	45	4,75	10,0	19,0	12,5
P0197.040-L	Long	4,0	4,0	69	2,50	3,3	9,0	6,5
P0197.050-L	Long	5,0	5,5	71	3,00	4,3	10,0	7,5
P0197.060-L	Long	6,0	6,5	73	3,40	5,3	12,0	8,0
P0197.070-L	Long	7,0	7,5	68	4,10	6,4	14,0	9,0
P0197.080-L	Long	8,0	8,5	70	4,20	7,4	15,0	10,5
P0197.090-L	Long	9,0	9,5	73	4,50	8,4	17,0	11,0
P0197.100-L	Long	10,0	10,5	75	4,75	9,4	19,0	12,5



P0198

Material

A2 Stainless steel.
Calibrated hole diameter (d_2).

Technical Notes

For restricting flow.
Select size required then add -xxx which indicated reduced hole diameter (d_2), eg P0198.090-015 indicated a 9mm bore size with a 0.015" orifice.

Tips

Metric dimensions in mm.
Imperial dimensions in inches. (Length Tolerance $\pm 0,006$)

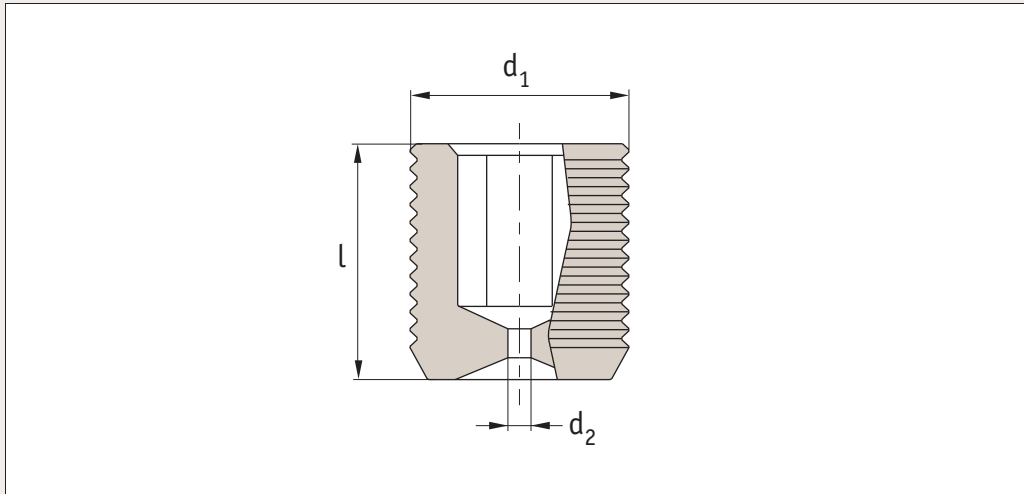
Important Notes

Please refer to technical pages for product installation details.

Order No.	d_1 +0	l_1 ± 0.010	l_2 ± 0.010	d_2 ± 0.001	d_3 ± 0.010	l_3 min.	d_4 max.
P0198.040-xxx	4,00 ^{-0.030}	4,0	3,7	0,012-0,015"	4,00	3,8	3,3
P0198.050-xxx	5,00 ^{-0.030}	5,0	5,2	0,012-0,075"	5,00	5,3	4,3
P0198.060-xxx	6,00 ^{-0.030}	6,0	6,2	0,012-0,100"	6,00	6,3	5,3
P0198.070-xxx	7,00 ^{-0.036}	7,0	7,2	0,012-0,130"	7,00	7,3	6,2
P0198.080-xxx	8,00 ^{-0.036}	8,0	8,2	0,012-0,150"	8,00	8,3	7,2
P0198.090-xxx	9,00 ^{-0.036}	9,0	9,70	0,012-0,170"	9,00	9,8	8,2
P0198.100-xxx	10,00 ^{-0.036}	10,0	10,70	0,012-0,195"	10,00	10,8	9,2
P0198.120-xxx	12,00 ^{-0.043}	12,0	12,70	0,012-0,240"	12,00	12,8	11,0
P0198.140-xxx	14,00 ^{-0.043}	14,0	14,40	0,012-0,280"	14,00	14,5	13,0
P0198i.156-xxx	0,1562 ^{-0.0012"}	0,161"	0,149"	0,012-0,050"	0,1562"	0,149"	0,130"
P0198i.187-xxx	0,1875 ^{-0.0012"}	0,220"	0,208"	0,012-0,070"	0,1875"	0,208"	0,160"
P0198i.218-xxx	0,2187 ^{-0.0012"}	0,220"	0,208"	0,012-0,085"	0,2187"	0,208"	0,190"
P0198i.250-xxx	0,2500 ^{-0.0012"}	0,259"	0,247"	0,012-0,105"	0,2500"	0,247"	0,220"
P0198i.281-xxx	0,2817 ^{-0.0014"}	0,299"	0,287"	0,012-0,130"	0,2812"	0,287"	0,250"
P0198i.312-xxx	0,3125 ^{-0.0014"}	0,338"	0,326"	0,012-0,150"	0,3125"	0,326"	0,281"
P0198i.343-xxx	0,3437 ^{-0.0014"}	0,397"	0,385"	0,012-0,160"	0,3437"	0,385"	0,312"
P0198i.375-xxx	0,3750 ^{-0.0014"}	0,397"	0,385"	0,012-0,180"	0,3750"	0,385"	0,343"
P0198i.406-xxx	0,4062 ^{-0.0014"}	0,437"	0,425"	0,012-0,195"	0,4062"	0,425"	0,375"
P0198i.437-xxx	0,4375 ^{-0.0014"}	0,515"	0,503"	0,012-0,220"	0,4375"	0,503"	0,406"
P0198i.468-xxx	0,4687 ^{-0.0017"}	0,515"	0,503"	0,012-0,240"	0,4687"	0,503"	0,437"
P0198i.562-xxx	0,5625 ^{-0.0017"}	0,594"	0,570"	0,012-0,290"	0,5625"	0,570"	0,510"



P0199



Material

A2 Stainless steel or brass.

Technical Notes

For restricting flow.

Select size required then add -xxx which indicated reduced

hole diameter (d_2), eg P0199.090-015-A2 indicated a 9mm bore size with a 0.015" orifice.

Important Notes

Please refer to technical pages for product installation details.

Order No.	d_1	d_2	$d_{1(nom)}$	l	A/F
P0199.040-xxx-A2	M 4x0,7	0,012-0,035"	4	4	2
P0199.050-xxx-A2	M 5x0,8	0,012-0,055"	5	5	2,5
P0199.060-xxx-A2	M 6x1,0	0,012-0,075"	6	6	3
P0199.080-xxx-A2	M 8x1,25	0,012-0,115"	8	8	4
P0199.100-xxx-A2	M10x1,5	0,012-0,155"	10	10	5
P0199.120-xxx-A2	M12x1,75	0,012-0,195"	12	12	6
P0199.164-xxx-A2	8-32	0,012-0,035"	0,164"	3/16"	5/64"
P0199.190-xxx-A2	10-32	0,012-0,050"	0,190"	3/16"	3/32"
P0199.250-xxx-A2	1/4-28	0,012-0,085"	0,250"	1/4"	1/8"
P0199.312-xxx-A2	5/16-24	0,012-0,115"	0,312"	5/16"	5/32"
P0199.375-xxx-A2	3/8-24	0,012-0,145"	0,375"	3/8"	3/16"
P0199.437-xxx-A2	7/16-20	0,012-0,175"	0,437"	3/8"	7/32"
P0199.500-xxx-A2	1/2-20	0,012-0,210"	0,500"	1/2"	1/4"
P0199.062-xxx-A2	1/16-27 NPT	0,012-0,115"	0,312"	0,250/0,235"	5/32"
P0199.125-xxx-A2	1/8-27 NPT	0,012-0,145"	0,405"	0,250/0,235"	3/16"
P0199.251-xxx-A2	1/8-18 NPT	0,012-0,210"	0,540"	0,406/0,391"	1/4"
P0199.375-xxx-A2	3/8-18 NPT	0,012-0,270"	0,675"	0,406/0,391"	5/16"
P0199.062-xxx-BR	1/16-27 NPT	0,012-0,115"	0,312"	0,250/0,235"	5/32"
P0199.125-xxx-BR	1/8-27 NPT	0,012-0,145"	0,405"	0,250/0,235"	3/16"
P0199.250-xxx-BR	1/4-18 NPT	0,012-0,210"	0,540"	0,406/0,391"	1/4"
P0199.375-xxx-BR	3/8-18 NPT	0,012-0,270"	0,675"	0,406/0,391"	5/16"