

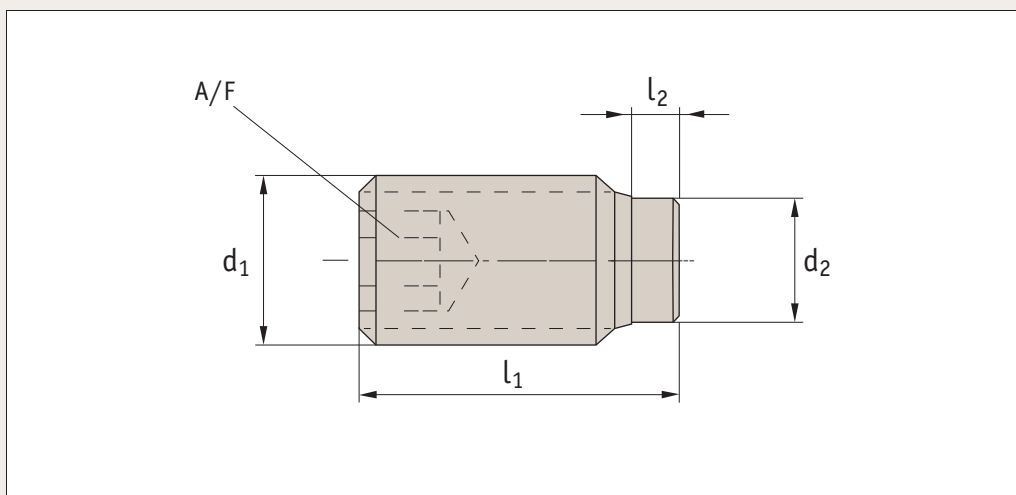


## Tipped Set Screws





## P0120



### Material

Stainless steel (A2, AISI 303), brass tip.

### Technical Notes

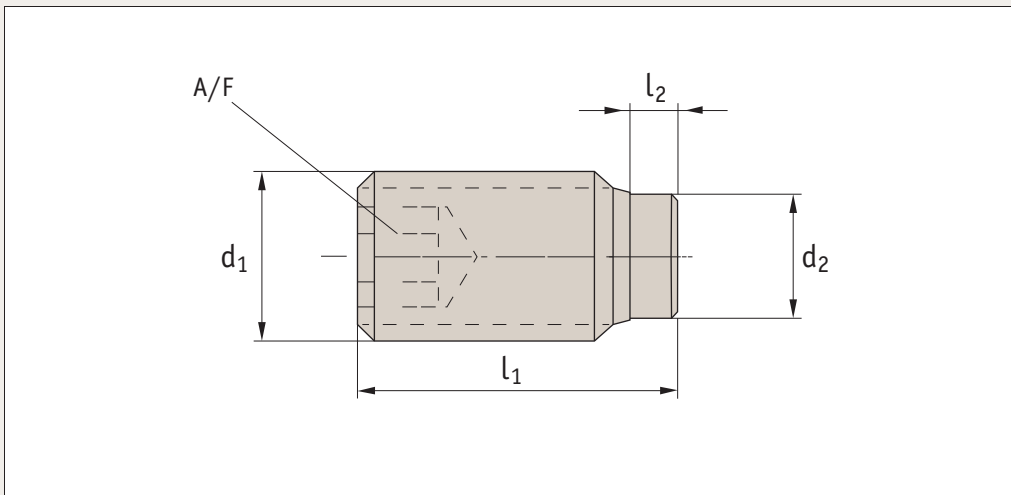
For fine, gentle clamping - non marring, self-locking, also used as position adjustment screw. Conforms to shaft or part surface for positive grip. Screws may be re-used.

Order No.	d <sub>1</sub>	l <sub>1 nom</sub>	l <sub>2</sub>	d <sub>2</sub>	A/F	$\frac{\Delta}{g}$
P0120.030-004	M 3	4	0,8	1,6	1,5	0,2
P0120.030-006	M 3	6	0,8	1,6	1,5	0,2
P0120.030-010	M 3	10	0,8	1,6	1,5	0,2
P0120.040-006	M 4	6	1,2	2,5	2,0	0,3
P0120.040-010	M 4	10	1,2	2,5	2,0	0,8
P0120.040-016	M 4	16	1,2	2,5	2,0	1,2
P0120.050-008	M 5	8	1,3	3,0	2,5	0,9
P0120.050-012	M 5	12	1,3	3,0	2,5	1,4
P0120.050-020	M 5	20	1,3	3,0	2,5	2,1
P0120.060-012	M 6	12	1,9	4,0	3,0	1,7
P0120.060-018	M 6	18	1,9	4,0	3,0	2,7
P0120.060-026	M 6	26	1,9	4,0	3,0	4,2
P0120.080-012	M 8	12	2,5	5,5	4,0	3,0
P0120.080-022	M 8	22	2,5	5,5	4,0	5,8
P0120.080-032	M 8	32	2,5	5,5	4,0	8,9
P0120.100-014	M10	14	2,7	7,0	5,0	5,6
P0120.100-018	M10	18	2,7	7,0	5,0	6,7
P0120.100-027	M10	27	2,7	7,0	5,0	11,0
P0120.100-037	M10	37	2,7	7,0	5,0	16,0
P0120.120-018	M12	18	3,4	8,5	6,0	10,0
P0120.120-022	M12	22	3,4	8,5	6,0	12,0
P0120.120-032	M12	32	3,4	8,5	6,0	20,0
P0120.120-042	M12	42	3,4	8,5	6,0	27,0

# Brass Tipped Steel Set Screws

hex. socket

Tipped Set  
Screws



**P0121**

## Material

Heat treated alloy steel (black oxide finish), brass tip.

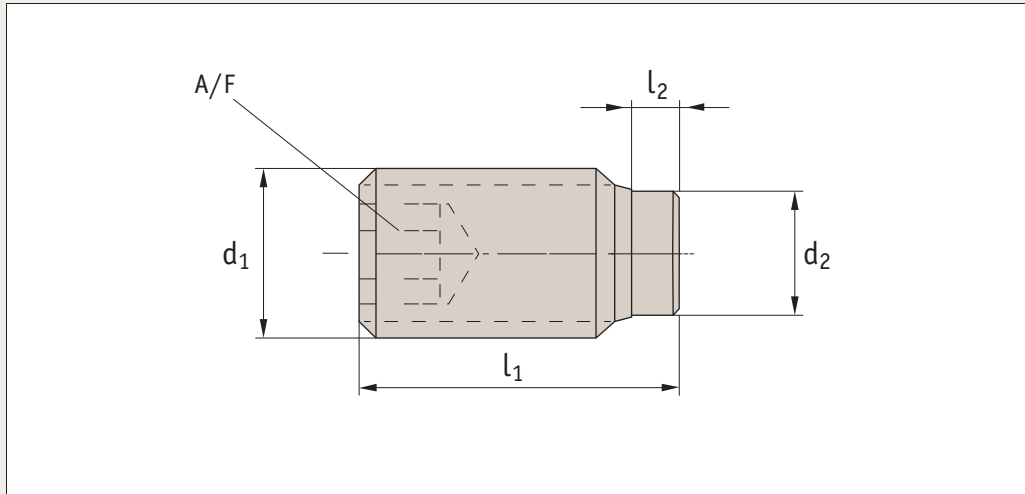
## Technical Notes

For fine, gentle clamping - non marring, self-locking, also used as position adjustment screw. Conforms to shaft or part surface for positive grip. Screws may be re-used.

Order No.	d <sub>1</sub>	l <sub>1 nom</sub>	l <sub>2</sub>	d <sub>2</sub>	A/F	Δ±g
<b>P0121.040-006</b>	M 4	6	1,2	2,5	2,0	0,3
<b>P0121.040-010</b>	M 4	10	1,2	2,5	2,0	0,8
<b>P0121.040-016</b>	M 4	16	1,2	2,5	2,0	1,2
<b>P0121.050-008</b>	M 5	8	1,3	3,0	2,5	0,9
<b>P0121.050-012</b>	M 5	12	1,3	3,0	2,5	1,4
<b>P0121.050-020</b>	M 5	20	1,3	3,0	2,5	2,1
<b>P0121.060-012</b>	M 6	12	1,9	4,0	3,0	1,7
<b>P0121.060-018</b>	M 6	18	1,9	4,0	3,0	2,7
<b>P0121.060-026</b>	M 6	26	1,9	4,0	3,0	4,2
<b>P0121.080-012</b>	M 8	12	2,5	5,5	4,0	3,0
<b>P0121.080-022</b>	M 8	22	2,5	5,5	4,0	5,8
<b>P0121.080-032</b>	M 8	32	2,5	5,5	4,0	8,9
<b>P0121.100-014</b>	M10	14	2,7	7,0	5,0	5,6
<b>P0121.100-018</b>	M10	18	2,7	7,0	5,0	6,7
<b>P0121.100-027</b>	M10	27	2,7	7,0	5,0	11,0
<b>P0121.100-037</b>	M10	37	2,7	7,0	5,0	16,0
<b>P0121.120-018</b>	M12	18	3,4	8,5	6,0	10,0
<b>P0121.120-022</b>	M12	22	3,4	8,5	6,0	12,0
<b>P0121.120-032</b>	M12	32	3,4	8,5	6,0	20,0
<b>P0121.120-042</b>	M12	42	3,4	8,5	6,0	27,0



## P0124



### Material

Stainless steel (A2, AISI 303), thermoplastic POM tip (in variety of colours).

### Technical Notes

Self-locking, extra holding power for full face control. Will not mar or damage shaft or part. Nylon "soft tip" conforms to shape of shaft or part.

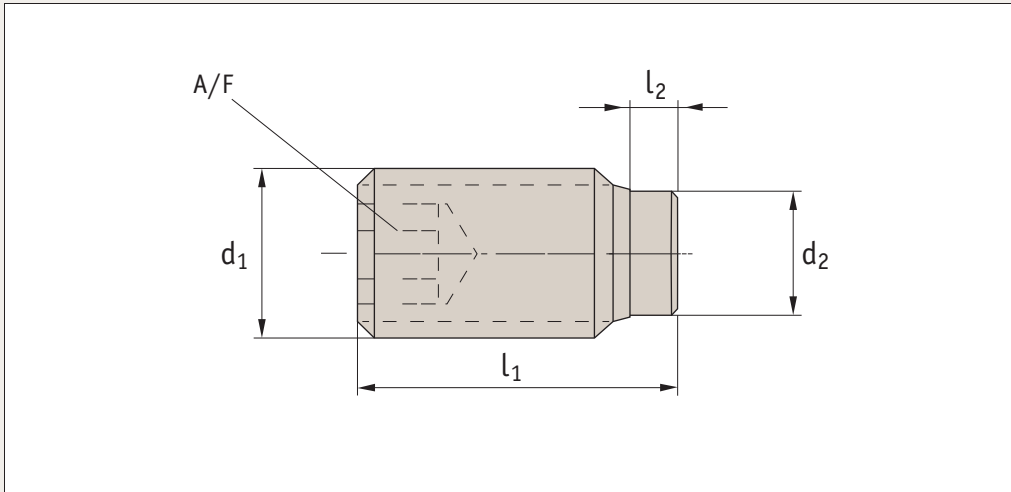
Order No.	d <sub>1</sub>	l <sub>1 nom</sub>	l <sub>2</sub>	d <sub>2</sub>	A/F	$\frac{\Delta}{g}$
P0124.020-004	M 2	4	0,8	0,8	0,9	0,1
P0124.020-005	M 2	5	0,8	0,8	0,9	0,1
P0124.020-006	M 2	6	0,8	0,8	0,9	0,1
P0124.020-007	M 2	7	0,8	0,8	0,9	0,2
P0124.030-004	M 3	4	0,8	1,6	1,5	0,2
P0124.030-005	M 3	5	0,8	1,6	1,5	0,2
P0124.030-006	M 3	6	0,8	1,6	1,5	0,2
P0124.030-007	M 3	7	0,8	1,6	1,5	0,2
P0124.040-007	M 4	7	1,0	2,0	2,0	0,3
P0124.040-009	M 4	9	1,0	2,0	2,0	0,4
P0124.040-011	M 4	11	1,0	2,0	2,0	0,6
P0124.040-013	M 4	13	1,0	2,0	2,0	0,7
P0124.040-017	M 4	17	1,0	2,0	2,0	1,0
P0124.050-009	M 5	9	1,0	3,0	2,5	0,7
P0124.050-011	M 5	11	1,0	3,0	2,5	0,8
P0124.050-013	M 5	13	1,0	3,0	2,5	1,0
P0124.050-017	M 5	17	1,0	3,0	2,5	1,2
P0124.050-021	M 5	21	1,0	3,0	2,5	2,0
P0124.060-011	M 6	11	1,3	3,5	3,0	1,2
P0124.060-013	M 6	13	1,3	3,5	3,0	1,5
P0124.060-017	M 6	17	1,3	3,5	3,0	2,2

Order No.	d <sub>1</sub>	l <sub>1 nom</sub>	l <sub>2</sub>	d <sub>2</sub>	A/F	$\frac{\Delta}{g}$
P0124.060-021	M 6	21	1,3	3,5	3,0	2,8
P0124.060-026	M 6	26	1,3	3,5	3,0	3,8
P0124.060-033	M 6	33	1,3	3,5	3,0	4,9
P0124.080-013	M 8	13	1,6	5,0	4,0	2,6
P0124.080-017	M 8	17	1,6	5,0	4,0	3,6
P0124.080-021	M 8	21	1,6	5,0	4,0	5,0
P0124.080-026	M 8	26	1,6	5,0	4,0	6,4
P0124.080-033	M 8	33	1,6	5,0	4,0	8,5
P0124.080-041	M 8	41	1,6	5,0	4,0	11,0
P0124.100-018	M10	18	1,9	6,5	5,0	5,2
P0124.100-022	M10	22	1,9	6,5	5,0	7,1
P0124.100-027	M10	27	1,9	6,5	5,0	9,9
P0124.100-034	M10	34	1,9	6,5	5,0	13,0
P0124.100-042	M10	42	1,9	6,5	5,0	17,0
P0124.100-052	M10	52	1,9	6,5	5,0	22,0
P0124.120-022	M12	22	2,1	8,0	6,0	9,0
P0124.120-027	M12	27	2,1	8,0	6,0	10,0
P0124.120-034	M12	34	2,1	8,0	6,0	19,0
P0124.120-042	M12	42	2,1	8,0	6,0	24,0
P0124.120-052	M12	52	2,1	8,0	6,0	31,0
P0124.120-065	M12	65	2,1	8,0	6,0	40,0

# Nylon Tipped Steel Set Screws

hex. socket

Tipped Set  
Screws



**P0125**

## Material

Heat treated steel, blackened, thermoplastic POM tip (in variety of colours).

## Technical Notes

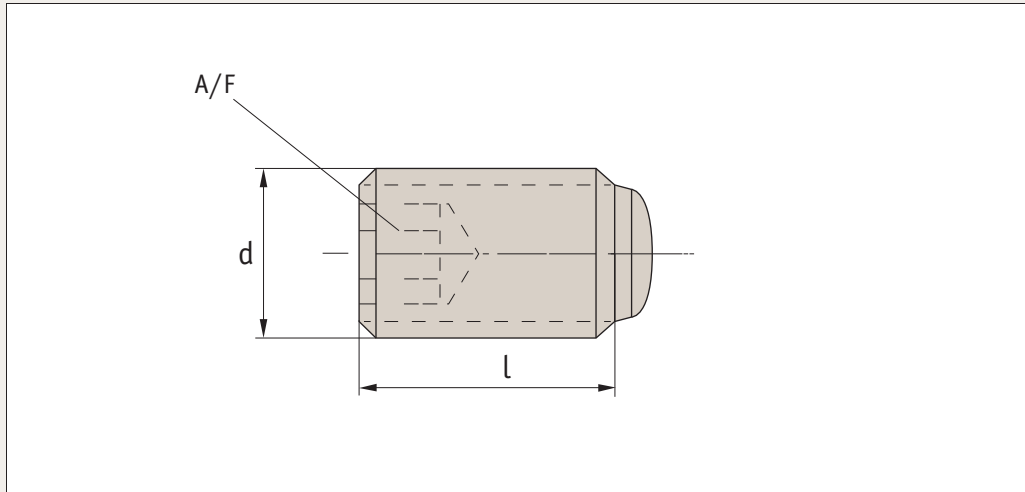
Self-locking, extra holding power for full face control. Will not mar or damage shaft or part. Nylon "soft tip" conforms to shape of shaft or part.

Order No.	d <sub>1</sub>	l <sub>1 nom</sub>	l <sub>2</sub>	d <sub>2</sub>	A/F	$\frac{\Delta}{g}$
P0125.040-007	M 4	7	1,0	2,0	2,0	0,3
P0125.040-009	M 4	9	1,0	2,0	2,0	0,4
P0125.040-011	M 4	11	1,0	2,0	2,0	0,6
P0125.040-013	M 4	13	1,0	2,0	2,0	0,7
P0125.040-017	M 4	17	1,0	2,0	2,0	1,0
P0125.040-021	M 4	21	1,0	2,0	2,0	0,3
P0125.050-009	M 5	9	1,0	3,0	2,5	0,7
P0125.050-011	M 5	11	1,0	3,0	2,5	0,8
P0125.050-013	M 5	13	1,0	3,0	2,5	1,0
P0125.050-017	M 5	17	1,0	3,0	2,5	1,2
P0125.050-021	M 5	21	1,0	3,0	2,5	2,0
P0125.050-026	M 5	26	1,0	3,0	2,5	2,6
P0125.060-011	M 6	11	1,3	3,5	3,0	1,2
P0125.060-013	M 6	13	1,3	3,5	3,0	1,5
P0125.060-017	M 6	17	1,3	3,5	3,0	2,2
P0125.060-021	M 6	21	1,3	3,5	3,0	2,8
P0125.060-026	M 6	26	1,3	3,5	3,0	3,8
P0125.060-033	M 6	33	1,3	3,5	3,0	4,9
P0125.060-041	M 6	41	1,3	3,5	3,0	6,3
P0125.060-051	M 6	51	1,3	3,5	3,0	7,9
P0125.080-013	M 8	13	1,6	5,0	4,0	2,6
P0125.080-017	M 8	17	1,6	5,0	4,0	3,6

Order No.	d <sub>1</sub>	l <sub>1 nom</sub>	l <sub>2</sub>	d <sub>2</sub>	A/F	$\frac{\Delta}{g}$
P0125.080-021	M 8	21	1,6	5,0	4,0	5,0
P0125.080-026	M 8	26	1,6	5,0	4,0	6,4
P0125.080-033	M 8	33	1,6	5,0	4,0	8,5
P0125.080-041	M 8	41	1,6	5,0	4,0	11,0
P0125.080-051	M 8	51	1,6	5,0	4,0	14,0
P0125.080-064	M 8	64	1,6	5,0	4,0	18,0
P0125.100-018	M10	18	1,9	6,5	5,0	5,2
P0125.100-022	M10	22	1,9	6,5	5,0	7,1
P0125.100-027	M10	27	1,9	6,5	5,0	9,9
P0125.100-034	M10	34	1,9	6,5	5,0	13,0
P0125.100-042	M10	42	1,9	6,5	5,0	17,0
P0125.100-052	M10	52	1,9	6,5	5,0	22,0
P0125.100-065	M10	65	1,9	6,5	5,0	28,0
P0125.100-082	M10	82	1,9	6,5	5,0	36,0
P0125.120-022	M12	22	2,1	8,0	6,0	9,0
P0125.120-027	M12	27	2,1	8,0	6,0	10,0
P0125.120-034	M12	34	2,1	8,0	6,0	19,0
P0125.120-042	M12	42	2,1	8,0	6,0	24,0
P0125.120-052	M12	52	2,1	8,0	6,0	31,0
P0125.120-065	M12	65	2,1	8,0	6,0	40,0
P0125.120-082	M12	82	2,1	8,0	6,0	51,0



## P0129



### Material

Stainless steel (A2), with silver solder (semi-soft) tip.

### Technical Notes

Self-locking, extra holding power for full face control, will not mar or damage shaft or part.  
Length of screw excludes length of silver solder tip.

Order No.	d	l <sub>nom.</sub>	A/F
P0129.020-003	M 2	3	0,9
P0129.020-004	M 2	4	0,9
P0129.020-005	M 2	5	0,9
P0129.020-006	M 2	6	0,9
P0129.030-003	M 3	3	1,5
P0129.030-004	M 3	4	1,5
P0129.030-005	M 3	5	1,5
P0129.030-006	M 3	6	1,5
P0129.040-004	M 4	4	2,0
P0129.040-006	M 4	6	2,0
P0129.040-010	M 4	10	2,0
P0129.040-014	M 4	14	2,0
P0129.050-006	M 5	6	2,5
P0129.050-010	M 5	10	2,5

Order No.	d	l <sub>nom.</sub>	A/F
P0129.050-014	M 5	14	2,5
P0129.050-020	M 5	20	2,5
P0129.060-006	M 6	6	3,0
P0129.060-010	M 6	10	3,0
P0129.060-016	M 6	16	3,0
P0129.060-025	M 6	25	3,0
P0129.080-010	M 8	10	4,0
P0129.080-016	M 8	16	4,0
P0129.080-025	M 8	25	4,0
P0129.100-012	M10	12	5,0
P0129.100-020	M10	20	5,0
P0129.100-030	M10	30	5,0