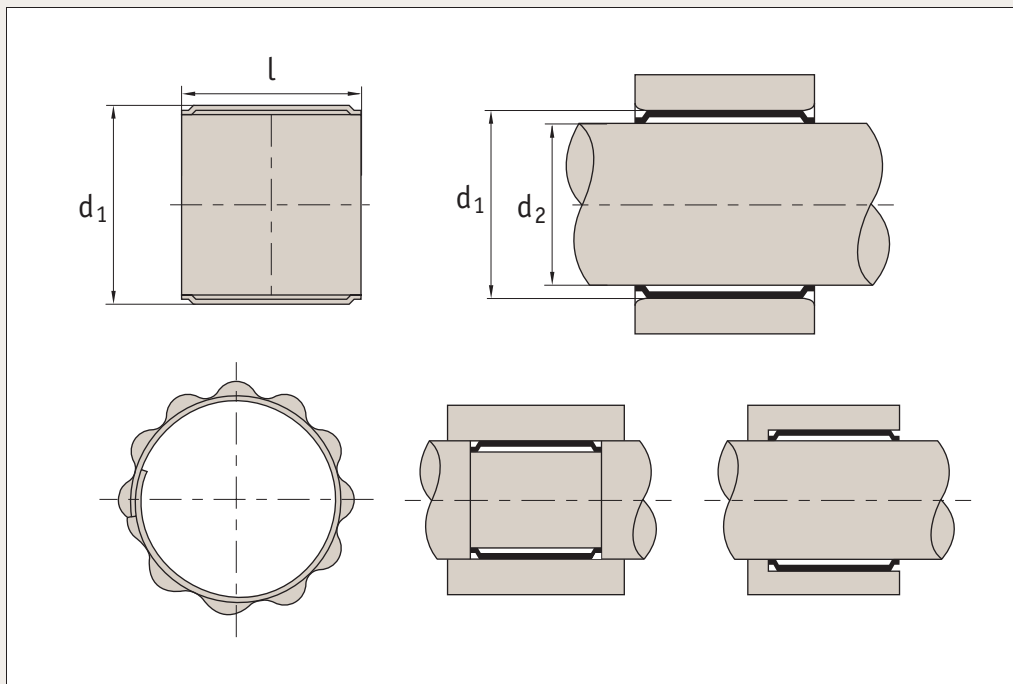


# Tolerance Rings - Shaft Variable

SV type

Tolerance Rings



**P0395**

## Material

Stainless steel (type 304, DIN 1.4301).

## Technical Notes

Tolerance rings allow the mating of parts with wider tolerances. The waves are on the outside, the ring sits on the shaft with the waves being compressed by the housing bore.

## Tips

For use where there is an accurate bore but the shaft may have a wide tolerance.

Order No.	$d_1$ H9	l	$d_1$ nom.	$d_2$ for bearings	$d_2$ for torque transfer	Max. torque Nm	Max. radial load N	Material
P0395.SV005-005	5	5	5	4,01 to 4,06	4,14 to 4,18	0,17	180	Steel
P0395.SV005-008	5	8	5	4,01 to 4,06	4,18 to 4,18	0,35	260	Steel
P0395.SV005-010	5	10	5	4,01 to 4,06	4,14 to 4,18	0,50	310	Steel
P0395.SV006-006	6	6	6	5,01 to 5,06	5,14 to 5,18	0,33	380	Steel
P0395.SV006-008	6	8	6	5,01 to 5,06	5,14 to 5,18	0,45	575	Stainless
P0395.SV006-010	6	10	6	5,01 to 5,06	5,14 to 5,18	0,90	690	Stainless
P0395.SV006-012	6	12	6	5,01 to 5,06	5,14 to 5,18	1,25	940	Steel
P0395.SV008-005	8	5	8	6,51 to 6,57	6,65 to 6,71	0,45	550	Steel
P0395.SV008-007	8	7	8	6,51 to 6,57	6,65 to 6,71	0,68	780	Stainless
P0395.SV008-008	8	8	8	6,51 to 6,57	6,65 to 6,71	0,80	910	Steel
P0395.SV008-010	8	10	8	6,51 to 6,57	6,65 to 6,71	1,00	1125	Steel
P0395.SV008-014	8	14	8	6,51 to 6,57	6,65 to 6,71	1,30	1400	Stainless
P0395.SV009-008	9	8	9	7,51 to 7,57	7,65 to 7,71	0,85	1070	Steel
P0395.SV010-006	10	6	10	8,51 to 8,57	8,65 to 8,71	1,80	950	Stainless
P0395.SV010-010	10	10	10	8,51 to 8,57	8,65 to 8,71	3,00	1275	Steel
P0395.SV010-012	10	12	10	8,51 to 8,57	8,65 to 8,71	3,60	1650	Steel
P0395.SV010-014	10	14	10	8,51 to 8,57	8,65 to 8,71	3,90	2000	Stainless
P0395.SV010-016	10	16	10	8,51 to 8,57	8,65 to 8,71	4,50	2100	Steel
P0395.SV011-010	11	10	11	9,51 to 9,57	9,65 to 9,71	4,00	1400	Steel
P0395.SV011-014	11	14	11	9,51 to 9,57	9,65 to 9,71	5,50	1680	Steel
P0395.SV012-006	12	6	12	10,52 to 10,59	10,70 to 10,77	2,20	1075	Stainless
P0395.SV012-008	12	8	12	10,52 to 10,59	10,70 to 10,77	3,20	1300	Stainless
P0395.SV012-010	12	10	12	10,52 to 10,59	10,70 to 10,77	4,50	1560	Stainless
P0395.SV012-012	12	12	12	10,52 to 10,59	10,70 to 10,77	5,30	2100	Stainless

Order No.	d <sub>1</sub> H9	l	d <sub>1</sub> nom.	d <sub>2</sub> for bearings	d <sub>2</sub> for torque transfer	Max. torque Nm	Max. radial load N	Material
P0395.SV012-014	12	14	12	10,52 to 10,59	10,70 to 10,77	6,10	2400	Steel
P0395.SV012-018	12	18	12	10,52 to 10,59	10,70 to 10,77	7,90	3075	Stainless
P0395.SV013-008	13	8	13	11,52 to 11,59	11,70 to 11,77	4,00	1650	Stainless
P0395.SV013-010	13	10	13	11,52 to 11,59	11,70 to 11,77	4,75	1800	Stainless
P0395.SV013-012	13	12	13	11,52 to 11,59	11,70 to 11,77	5,60	2300	Stainless
P0395.SV013-015	13	15	13	11,52 to 11,59	11,70 to 11,77	7,20	3000	Stainless
P0395.SV014-008	14	8	14	12,52 to 12,59	12,70 to 12,77	4,20	1825	Stainless
P0395.SV014-010	14	10	14	12,52 to 12,59	12,70 to 12,77	4,90	2000	Stainless
P0395.SV014-014	14	14	14	12,52 to 12,59	12,70 to 12,77	5,60	3300	Stainless
P0395.SV014-020	14	20	14	12,52 to 12,59	12,70 to 12,77	8,00	4000	Stainless
P0395.SV015-006	15	6	15	13,52 to 13,59	13,70 to 13,77	3,70	1200	Stainless
P0395.SV015-008	15	8	15	13,52 to 13,59	13,70 to 13,77	3,90	1600	Stainless
P0395.SV015-010	15	10	15	13,52 to 13,59	13,70 to 13,77	4,80	2025	Stainless
P0395.SV015-012	15	12	15	13,52 to 13,59	13,70 to 13,77	6,80	2650	Stainless
P0395.SV015-014	15	14	15	13,52 to 13,59	13,70 to 13,77	8,90	2950	Stainless
P0395.SV015-016	15	16	15	13,52 to 13,59	13,70 to 13,77	11,00	3400	Stainless
P0395.SV015-019	15	19	15	13,52 to 13,59	13,70 to 13,77	12,50	3900	Steel
P0395.SV016-010	16	10	16	14,52 to 14,59	14,70 to 14,77	7,00	2600	Stainless
P0395.SV016-014	16	14	16	14,52 to 14,59	14,70 to 14,77	10,50	3100	Stainless
P0395.SV016-016	16	16	16	14,52 to 14,59	14,70 to 14,77	12,00	3500	Stainless
P0395.SV017-006	17	6	17	15,52 to 15,59	15,70 to 15,77	3,90	1500	Stainless
P0395.SV017-008	17	8	17	15,52 to 15,59	15,70 to 15,77	4,80	1800	Stainless
P0395.SV017-010	17	10	17	15,52 to 15,59	15,70 to 15,77	8,00	2650	Stainless
P0395.SV017-012	17	12	17	15,52 to 15,59	15,70 to 15,77	10,00	2800	Stainless
P0395.SV017-014	17	14	17	15,52 to 15,59	15,70 to 15,77	12,00	3200	Stainless
P0395.SV017-016	17	16	17	15,52 to 15,59	15,70 to 15,77	14,00	3650	Stainless
P0395.SV018-010	18	10	18	16,52 to 16,59	16,70 to 16,77	9,00	2650	Steel
P0395.SV018-016	18	16	18	16,52 to 16,59	16,70 to 16,77	15,00	3900	Stainless
P0395.SV018-022	18	22	18	16,52 to 16,59	16,70 to 16,77	21,00	5600	Stainless
P0395.SV019-010	19	10	19	17,52 to 17,59	17,70 to 17,77	10,00	2800	Stainless
P0395.SV019-019	19	19	19	17,52 to 17,59	17,70 to 17,77	19,00	4900	Stainless
P0395.SV019-022	19	22	19	17,52 to 17,59	17,70 to 17,77	22,00	6000	Stainless
P0395.SV020-006	20	6	20	18,02 to 18,11	18,25 to 18,33	7,00	1600	Stainless
P0395.SV020-007	20	7	20	18,02 to 18,11	18,25 to 18,33	8,00	1800	Stainless
P0395.SV020-008	20	8	20	18,02 to 18,11	18,25 to 18,33	9,00	2200	Stainless
P0395.SV020-010	20	10	20	18,02 to 18,11	18,25 to 18,33	12,00	2900	Stainless
P0395.SV020-012	20	12	20	18,02 to 18,11	18,25 to 18,33	15,00	3750	Stainless
P0395.SV020-014	20	14	20	18,02 to 18,11	18,25 to 18,33	18,00	4600	Stainless
P0395.SV020-015	20	15	20	18,02 to 18,11	18,25 to 18,33	19,00	5200	Stainless
P0395.SV020-018	20	18	20	18,02 to 18,11	18,25 to 18,33	23,00	5900	Stainless
P0395.SV020-020	20	20	20	18,02 to 18,11	18,25 to 18,33	25,00	6850	Stainless
P0395.SV020-022	20	22	20	18,02 to 18,33	18,25 to 18,33	28,00	7700	Stainless
P0395.SV022-012	22	12	22	20,02 to 20,11	20,25 to 20,33	18,00	4450	Stainless
P0395.SV022-015	22	15	22	20,02 to 20,11	20,25 to 20,33	26,00	5550	Stainless
P0395.SV022-022	22	22	22	20,02 to 20,11	20,25 to 20,33	33,00	8250	Stainless
P0395.SV024-010	24	10	24	22,02 to 22,11	22,25 to 22,33	30,00	5950	Stainless
P0395.SV024-015	24	15	24	22,02 to 22,11	22,25 to 22,33	30,00	5950	Stainless
P0395.SV024-022	24	22	24	22,02 to 22,11	22,25 to 22,33	40,00	9000	Stainless
P0395.SV024-024	24	24	24	22,02 to 22,11	22,25 to 22,33	48,00	10200	Stainless
P0395.SV025-008	25	8	25	23,02 to 23,11	23,25 to 23,33	15,00	3000	Stainless
P0395.SV025-010	25	10	25	23,02 to 23,11	23,25 to 23,33	20,00	3850	Stainless
P0395.SV025-012	25	12	25	23,02 to 23,11	23,25 to 23,33	22,00	4900	Stainless
P0395.SV025-015	25	15	25	23,02 to 23,11	23,25 to 23,33	28,00	6450	Stainless
P0395.SV025-018	25	18	25	23,02 to 23,11	23,25 to 23,33	38,00	7200	Stainless
P0395.SV025-020	25	20	25	23,02 to 23,11	23,25 to 23,33	41,00	7575	Stainless
P0395.SV025-021	25	21	25	23,02 to 23,11	23,25 to 23,33	43,00	7700	Stainless
P0395.SV025-025	25	25	25	23,02 to 23,11	23,25 to 23,33	53,00	10600	Stainless
P0395.SV028-012	28	12	28	26,02 to 26,11	26,25 to 26,33	30,00	5750	Stainless
P0395.SV028-020	28	20	28	26,02 to 26,11	26,25 to 26,33	53,00	10600	Stainless
P0395.SV028-022	28	22	28	26,02 to 26,11	26,25 to 26,33	60,00	11300	Stainless
P0395.SV028-025	28	25	28	26,02 to 26,11	26,25 to 26,33	71,00	12000	Stainless

# Tolerance Rings - Shaft Variable

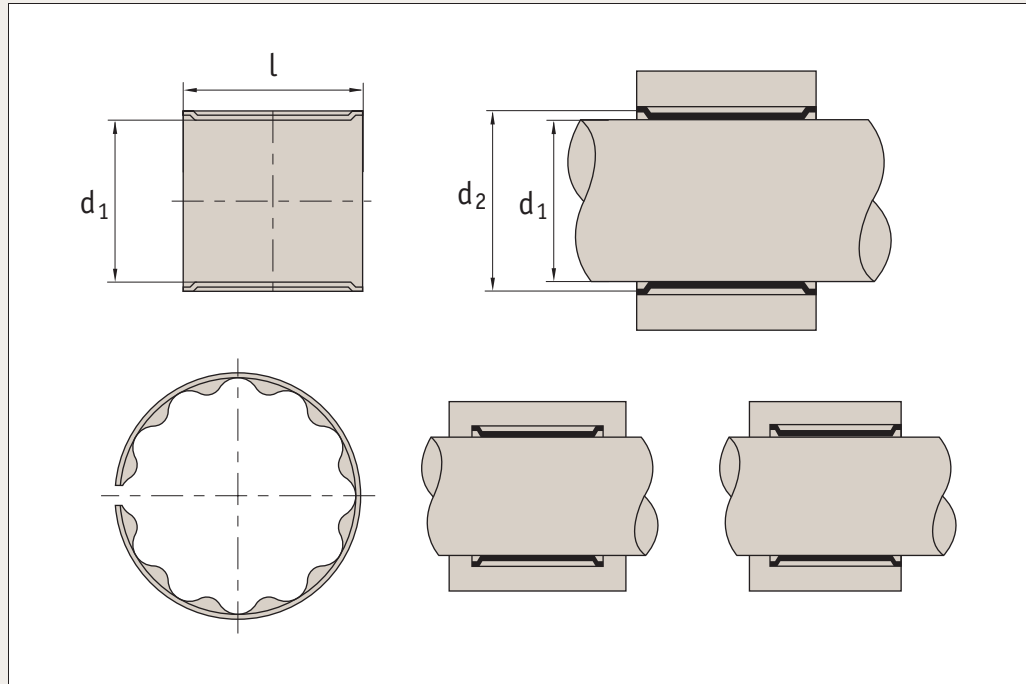
SV type

Tolerance  
Rings

Order No.	d <sub>1</sub> H9	l	d <sub>1</sub> nom.	d <sub>2</sub> for bearings	d <sub>2</sub> for torque transfer	Max. torque Nm	Max. radial load N	Material
P0395.SV030-008	30	8	30	28,02 to 28,11	28,25 to 28,33	25,00	2800	Stainless
P0395.SV030-010	30	10	30	28,02 to 28,11	28,25 to 28,33	29,00	4200	Stainless
P0395.SV030-012	30	12	30	28,02 to 28,11	28,25 to 28,33	35,00	5400	Stainless
P0395.SV030-015	30	15	30	28,02 to 28,11	28,25 to 28,33	47,00	7000	Stainless
P0395.SV030-020	30	20	30	28,02 to 28,11	28,25 to 28,33	60,00	10200	Stainless
P0395.SV030-023	30	23	30	28,02 to 28,11	28,25 to 28,33	70,00	12200	Stainless
P0395.SV030-030	30	30	30	28,02 to 28,11	28,25 to 28,33	95,00	16600	Stainless
P0395.SV032-012	32	12	32	30,02 to 30,11	30,25 to 30,33	44,00	5800	Stainless
P0395.SV032-016	32	16	32	30,02 to 30,11	30,25 to 30,33	56,00	8400	Stainless
P0395.SV032-030	32	30	32	30,02 to 30,11	30,25 to 30,33	110,00	17000	Stainless
P0395.SV035-010	35	10	35	33,03 to 33,13	33,25 to 33,40	40,00	4000	Stainless
P0395.SV035-012	35	12	35	33,03 to 33,13	33,25 to 33,40	48,00	4600	Stainless
P0395.SV035-015	35	15	35	33,03 to 33,13	33,25 to 33,40	60,00	4950	Stainless
P0395.SV035-025	35	25	35	33,03 to 33,13	33,25 to 33,40	110,00	8650	Stainless
P0395.SV035-030	35	30	35	33,03 to 33,13	33,25 to 33,40	130,00	9800	Stainless
P0395.SV036-012	36	12	36	34,03 to 34,13	34,30 to 34,40	55,00	4800	Stainless
P0395.SV036-015	36	15	36	34,03 to 34,13	34,30 to 34,40	63,00	5100	Stainless
P0395.SV036-030	36	30	36	34,03 to 34,13	34,30 to 34,40	135,00	10300	Stainless
P0395.SV040-010	40	10	40	38,03 to 38,13	38,30 to 38,40	55,00	3800	Stainless
P0395.SV040-012	40	12	40	38,03 to 38,13	38,30 to 38,40	63,00	4500	Stainless
P0395.SV040-015	40	15	40	38,03 to 38,13	38,30 to 38,40	83,00	5400	Stainless
P0395.SV040-023	40	23	40	38,03 to 38,13	38,30 to 38,40	104,00	8500	Steel
P0395.SV040-030	40	30	40	38,03 to 38,13	38,30 to 38,40	180,00	12000	Stainless
P0395.SV045-010	45	10	45	43,03 to 43,13	43,30 to 43,40	68,00	4250	Stainless
P0395.SV045-015	45	15	45	43,03 to 43,13	43,30 to 43,40	102,00	6230	Stainless
P0395.SV045-020	45	20	45	43,03 to 43,13	43,30 to 43,40	145,00	9400	Stainless
P0395.SV045-023	45	23	45	43,03 to 43,13	43,30 to 43,40	160,00	10100	Steel
P0395.SV045-025	45	25	45	43,03 to 43,13	43,30 to 43,40	200,00	11000	Stainless
P0395.SV045-030	45	30	45	43,03 to 43,13	43,30 to 43,40	230,00	13950	Stainless
P0395.SV050-012	50	12	50	48,03 to 48,13	48,30 to 48,40	107,00	5750	Stainless
P0395.SV050-016	50	16	50	48,03 to 48,13	48,30 to 48,40	141,00	7565	Steel
P0395.SV050-020	50	20	50	48,03 to 48,13	48,30 to 48,40	186,00	9575	Stainless
P0395.SV050-030	50	30	50	48,03 to 48,13	48,30 to 48,40	310,00	13400	Stainless
P0395.SV050-040	50	40	50	48,03 to 48,13	48,30 to 48,40	350,00	18000	Steel
P0395.SV055-010	55	10	55	52,53 to 52,65	52,85 to 52,97	125,00	4900	Stainless
P0395.SV055-014	55	14	55	52,53 to 52,65	52,85 to 52,97	175,00	6750	Stainless
P0395.SV055-015	55	15	55	52,53 to 52,65	52,85 to 52,97	185,00	6800	Stainless
P0395.SV055-029	55	29	55	52,53 to 52,65	52,85 to 52,97	330,00	12500	Stainless
P0395.SV060-020	60	20	60	57,53 to 57,65	57,85 to 57,97	310,00	12000	Stainless
P0395.SV060-022	60	22	60	57,53 to 57,65	57,85 to 57,97	350,00	13200	Stainless
P0395.SV060-028	60	28	60	57,53 to 57,65	57,85 to 57,97	420,00	18400	Stainless
P0395.SV065-020	65	20	65	62,53 to 62,65	62,85 to 62,97	480,00	14800	Stainless
P0395.SV065-033	65	33	65	62,53 to 62,65	62,85 to 62,97	650,00	21000	Stainless
P0395.SV080-012	80	12	80	77,53 to 77,65	77,85 to 77,97	550,00	15000	Stainless
P0395.SV080-017	80	17	80	77,53 to 77,65	77,85 to 77,97	700,00	16500	Stainless
P0395.SV085-022	85	22	85	82,04 to 82,18	82,44 to 82,58	800,00	19000	Stainless
P0395.SV090-024	90	24	90	87,04 to 87,18	87,44 to 87,58	850,00	22000	Stainless
P0395.SV090-030	90	30	90	87,04 to 87,18	87,44 to 87,58	1100,00	27000	Steel
P0395.SV100-024	100	24	100	97,04 to 97,18	97,44 to 97,58	1350,00	28000	Steel
P0395.SV100-036	100	36	100	97,04 to 97,18	97,44 to 97,58	1900,00	36000	Steel
P0395.SV140-015	140	15	140	136,04 to 136,20	136,52 to 136,68	1200,00	25500	Stainless
P0395.SV140-022	140	22	140	136,04 to 136,20	136,52 to 136,68	1250,00	32000	Steel



## P0396



### Material

Stainless steel (type 304, DIN 1.4301).

### Technical Notes

Tolerance rings allow the mating of parts with wider tolerances.

The waves are on the inside, the ring sits on the housing bore with the waves being compressed by the shaft diameter.

### Tips

For use where there is an accurate shaft but the bore may have a wide tolerance.

Order No.	$d_1$ H9	l	$d_1$ nom.	$d_2$ for bearings	$d_2$ for torque transfer	Max. torque Nm	Max. radial load N	Material
P0396.HV04-06C	4	6	4	4,93 to 4,95	4,82 to 4,86	0,15	80	Steel
P0396.HV04-08C	4	8	4	4,93 to 4,95	4,82 to 4,86	0,25	90	Steel
P0396.HV04-10C	4	10	4	4,93 to 4,95	4,82 to 4,86	0,35	95	Steel
P0396.HV05-05C	5	5	5	5,93 to 5,95	5,82 to 5,86	0,45	100	Steel
P0396.HV05-08C	5	8	5	5,93 to 5,95	5,82 to 5,86	0,66	160	Steel
P0396.HV05-12C	5	12	5	5,93 to 5,95	5,82 to 5,86	1,25	250	Steel
P0396.HV06-06C	6	6	6	6,93 to 6,985	6,82 to 6,86	0,45	133	Steel
P0396.HV06-08C	6	8	6	6,93 to 6,985	6,82 to 6,86	0,75	240	Steel
P0396.HV06-10C	6	10	6	6,93 to 6,985	6,82 to 6,86	1,00	290	Steel
P0396.HV06-15C	6	15	6	6,93 to 6,985	6,82 to 6,86	1,20	300	Steel
P0396.HV08-06C	8	6	8	9,41 to 9,48	9,23 to 9,30	1,00	240	Steel
P0396.HV08-08C	8	8	8	9,41 to 9,48	9,23 to 9,30	1,45	360	Steel
P0396.HV08-12C	8	12	8	9,41 to 9,48	9,23 to 9,30	2,00	580	Steel
P0396.HV08-14S	8	14	8	9,41 to 9,48	9,23 to 9,30	2,10	600	Steel
P0396.HV10-04S	10	4	10	11,41 to 11,48	11,23 to 11,30	0,95	480	Stainless
P0396.HV10-06S	10	6	10	11,41 to 11,48	11,23 to 11,30	2,30	850	Stainless
P0396.HV10-08S	10	8	10	11,41 to 11,48	11,23 to 11,30	2,50	1020	Stainless
P0396.HV10-10S	10	10	10	11,41 to 11,48	11,23 to 11,30	3,00	1220	Stainless
P0396.HV10-12S	10	12	10	11,41 to 11,48	11,23 to 11,30	3,50	1650	Stainless
P0396.HV10-14S	10	14	10	11,41 to 11,48	11,23 to 11,30	4,00	2050	Stainless
P0396.HV10-18S	10	18	10	11,41 to 11,48	11,23 to 11,30	4,50	2500	Stainless
P0396.HV12-04S	12	4	12	13,41 to 13,48	13,23 to 13,30	1,60	720	Stainless
P0396.HV12-06S	12	6	12	13,41 to 13,48	13,23 to 13,30	3,00	1200	Stainless
P0396.HV12-10S	12	10	12	13,41 to 13,48	13,23 to 13,30	4,00	1825	Stainless

# Tolerance Rings - Hole Variable

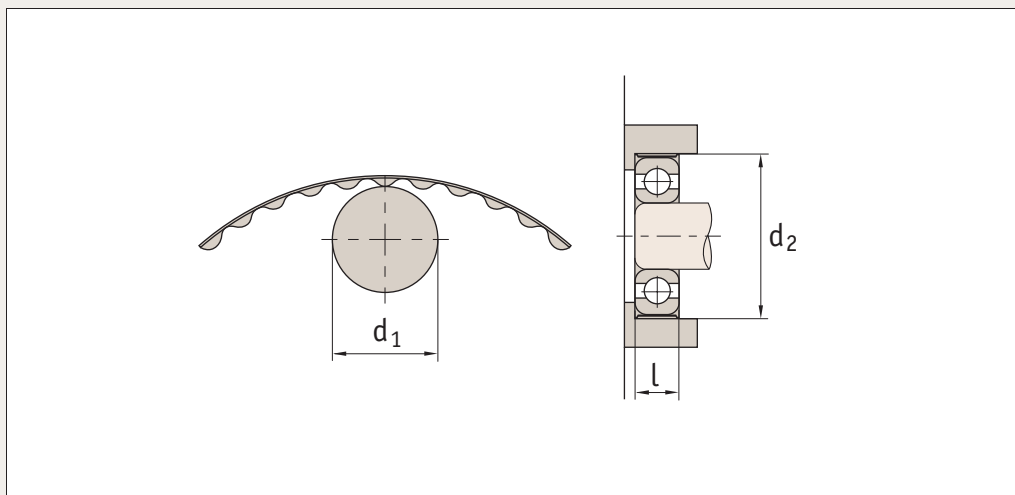
HV type

Tolerance  
Rings

Order No.	d <sub>1</sub> H9	l	d <sub>1</sub> nom.	d <sub>2</sub> for bearings	d <sub>2</sub> for torque transfer	Max. torque Nm	Max. radial load N	Material
P0396.HV12-12S	12	12	12	13,41 to 13,48	13,23 to 13,30	6,00	2400	Stainless
P0396.HV12-16C	12	16	12	13,41 to 13,48	13,23 to 13,30	8,00	3025	Stainless
P0396.HV12-18S	12	18	12	13,41 to 13,48	13,23 to 13,30	9,00	3350	Stainless
P0396.HV14-08S	14	8	14	15,41 to 15,48	15,23 to 15,30	5,00	1800	Stainless
P0396.HV14-12S	14	12	14	15,41 to 15,48	15,23 to 15,30	7,00	2410	Stainless
P0396.HV14-14C	14	14	14	15,41 to 15,48	15,23 to 15,30	9,00	2750	Stainless
P0396.HV15-08S	15	8	15	16,41 to 16,48	16,23 to 16,30	5,50	1825	Stainless
P0396.HV15-12S	15	12	15	16,41 to 16,48	16,23 to 16,30	7,50	2500	Stainless
P0396.HV15-14S	15	14	15	16,41 to 16,48	16,23 to 16,30	11,00	2925	Stainless
P0396.HV15-22S	15	22	15	16,41 to 16,48	16,23 to 16,30	14,00	3500	Stainless
P0396.HV16-05S	16	5	16	17,41 to 17,48	17,23 to 17,30	4,0	1100	Stainless
P0396.HV16-08S	16	8	16	17,41 to 17,48	17,23 to 17,30	7,0	1900	Stainless
P0396.HV16-10S	16	10	16	17,41 to 17,48	17,23 to 17,30	8,0	2275	Stainless
P0396.HV16-12S	16	12	16	17,41 to 17,48	17,23 to 17,30	9,0	2800	Stainless
P0396.HV16-16S	16	16	16	17,41 to 17,48	17,23 to 17,30	14,0	3650	Stainless
P0396.HV16-22S	16	22	16	17,41 to 17,48	17,23 to 17,30	17,0	4500	Stainless
P0396.HV18-06S	18	6	18	19,89 to 19,98	19,67 to 19,75	6,5	1300	Stainless
P0396.HV18-10S	18	10	18	19,89 to 19,98	19,67 to 19,75	11,0	2450	Stainless
P0396.HV18-16C	18	16	18	19,89 to 19,98	19,67 to 19,75	17,0	4100	Stainless
P0396.HV19-06S	19	6	19	20,89 to 20,98	20,67 to 20,75	7,0	1875	Stainless
P0396.HV19-16C	19	16	19	20,89 to 20,98	20,67 to 20,75	21,0	4450	Steel
P0396.HV20-12S	20	12	20	21,89 to 21,98	21,67 to 21,75	18,0	3650	Stainless
P0396.HV20-14C	20	14	20	21,89 to 21,98	21,67 to 21,75	22,0	4300	Steel
P0396.HV20-16C	20	16	20	21,89 to 21,98	21,67 to 21,75	24,0	4900	Steel
P0396.HV20-20C	20	20	20	21,89 to 21,98	21,67 to 21,75	30,0	6100	Steel
P0396.HV20-26S	20	26	20	21,89 to 21,98	21,67 to 21,75	34,0	7250	Stainless
P0396.HV22-05S	22	5	22	23,89 to 23,98	23,67 to 23,75	12,0	1650	Stainless
P0396.HV22-07S	22	7	22	23,89 to 23,98	23,67 to 23,75	16,0	2450	Stainless
P0396.HV22-10S	22	10	22	23,89 to 23,98	23,67 to 23,75	18,0	3525	Stainless
P0396.HV22-16C	22	16	22	23,89 to 23,98	23,67 to 23,75	30,0	5450	Steel
P0396.HV22-20C	22	20	22	23,89 to 23,98	23,67 to 23,75	35,0	7000	Steel
P0396.HV22-22C	22	22	22	23,89 to 23,98	23,67 to 23,75	38,0	8200	Steel
P0396.HV24-06S	24	6	24	25,89 to 25,98	25,67 to 25,75	17,0	2320	Stainless
P0396.HV24-07S	24	7	24	25,89 to 25,98	25,67 to 25,75	18,0	2715	Stainless
P0396.HV24-12S	24	12	24	25,89 to 25,98	25,67 to 25,75	29,0	5550	Stainless
P0396.HV24-16C	24	16	24	25,89 to 25,98	25,67 to 25,75	32,0	7800	Steel
P0396.HV24-20C	24	20	24	25,89 to 25,98	25,67 to 25,75	45,0	9000	Steel
P0396.HV25-10C	25	10	25	26,89 to 26,98	26,67 to 26,75	24,0	4300	Steel
P0396.HV25-16S	25	16	25	26,89 to 26,98	26,67 to 26,75	35,0	7800	Stainless
P0396.HV25-20S	25	20	25	26,89 to 26,98	26,67 to 26,75	47,0	9000	Stainless
P0396.HV26-08S	26	8	26	27,89 to 27,98	27,67 to 27,75	21,0	3425	Stainless
P0396.HV26-10S	26	10	26	27,89 to 27,98	27,67 to 27,75	26,0	4500	Stainless
P0396.HV26-16S	26	16	26	27,89 to 27,98	27,67 to 27,75	43,0	8250	Stainless
P0396.HV26-20S	26	20	26	27,89 to 27,98	27,67 to 27,75	52,0	9600	Stainless
P0396.HV28-08S	28	8	28	29,89 to 29,98	29,67 to 29,75	27,0	4000	Stainless
P0396.HV28-10S	28	10	28	29,89 to 29,98	29,67 to 29,75	30,0	4700	Stainless
P0396.HV28-12S	28	12	28	29,89 to 29,98	29,67 to 29,75	39,0	6250	Stainless
P0396.HV28-14S	28	14	28	29,89 to 29,98	29,67 to 29,75	45,0	7250	Stainless
P0396.HV28-20S	28	20	28	29,89 to 29,98	29,67 to 29,75	55,0	9050	Stainless
P0396.HV28-30C	28	30	28	29,89 to 29,98	29,67 to 29,75	92,0	15250	Steel
P0396.HV30-08S	30	8	30	31,89 to 31,98	31,67 to 31,75	28,0	4100	Stainless
P0396.HV30-12S	30	12	30	31,89 to 31,98	31,67 to 31,75	40,0	5700	Stainless
P0396.HV30-16S	30	16	30	31,89 to 31,98	31,67 to 31,75	50,0	8065	Stainless
P0396.HV30-30C	30	30	30	31,89 to 31,98	31,67 to 31,75	95,0	15500	Steel
P0396.HV32-08S	32	8	32	33,89 to 33,98	33,67 to 33,75	30,0	3000	Stainless
P0396.HV32-10S	32	10	32	33,89 to 33,98	33,67 to 33,75	35,0	3200	Stainless
P0396.HV32-14S	32	14	32	33,89 to 33,98	33,67 to 33,75	50,0	4200	Stainless
P0396.HV32-30S	32	30	32	33,89 to 33,98	33,67 to 33,75	115,0	18000	Stainless
P0396.HV35-06C	35	6	35	36,89 to 36,98	36,67 to 36,75	32,0	2900	Steel
P0396.HV35-10S	35	10	35	36,89 to 36,98	36,67 to 36,75	43,0	3350	Stainless
P0396.HV35-14S	35	14	35	36,89 to 36,98	36,67 to 36,75	58,0	5000	Stainless



Order No.	d <sub>1</sub> H9	l	d <sub>1</sub> nom.	d <sub>2</sub> for bearings	d <sub>2</sub> for torque transfer	Max. torque Nm	Max. radial load N	Material
P0396.HV35-16S	35	16	35	36,89 to 36,98	36,67 to 36,75	70,0	8200	Stainless
P0396.HV40-08C	40	8	40	41,89 to 41,98	41,67 to 41,75	54,0	2800	Steel
P0396.HV40-10C	40	10	40	41,89 to 41,98	41,67 to 41,75	62,0	3300	Steel
P0396.HV40-12S	40	12	40	41,89 to 41,98	41,67 to 41,75	72,0	4450	Stainless
P0396.HV40-16S	40	16	40	41,89 to 41,98	41,67 to 41,75	91,0	6230	Stainless
P0396.HV40-20S	40	20	40	41,89 to 41,98	41,67 to 41,75	125,0	8450	Stainless
P0396.HV40-30S	40	30	40	41,89 to 41,98	41,67 to 41,75	180,0	12000	Stainless
P0396.HV42-12S	42	12	42	43,89 to 43,98	43,67 to 43,75	75,0	4900	Stainless
P0396.HV42-30S	42	30	42	43,89 to 43,98	43,67 to 43,75	225,0	13250	Stainless
P0396.HV45-12S	45	12	45	46,89 to 46,98	46,67 to 46,75	90,0	6000	Stainless
P0396.HV45-20S	45	20	45	46,89 to 46,98	46,67 to 46,75	165,0	8700	Stainless
P0396.HV47-06C	47	6	47	48,89 to 48,98	48,67 to 48,75	65,0	2450	Steel
P0396.HV47-08C	47	8	47	48,89 to 48,98	48,67 to 48,75	76,0	2850	Steel
P0396.HV47-14C	47	14	47	48,89 to 48,98	48,67 to 48,75	117,0	6230	Steel
P0396.HV47-18S	47	18	47	48,89 to 48,98	48,67 to 48,75	175,0	8300	Stainless
P0396.HV47-20S	47	20	47	48,89 to 48,98	48,67 to 48,75	210,0	8450	Stainless
P0396.HV47-22S	47	22	47	48,89 to 48,98	48,67 to 48,75	235,0	10750	Stainless
P0396.HV50-15S	50	15	50	52,35 to 52,47	52,03 to 52,15	157,0	6600	Stainless
P0396.HV50-20S	50	20	50	52,35 to 52,47	52,03 to 52,15	215,0	10100	Stainless
P0396.HV52-08C	52	8	52	54,35 to 54,47	54,03 to 54,15	100,0	3200	Steel
P0396.HV52-15S	52	15	52	54,35 to 54,47	54,03 to 54,15	165,0	7120	Stainless
P0396.HV55-12S	55	12	55	57,35 to 57,47	57,03 to 57,15	156,0	5550	Stainless
P0396.HV55-20S	55	20	55	57,35 to 57,47	57,03 to 57,15	260,0	10750	Stainless
P0396.HV60-15S	60	15	60	62,35 to 62,47	62,03 to 62,15	280,0	8800	Stainless
P0396.HV60-25S	60	25	60	62,35 to 62,47	62,03 to 62,15	475,0	15500	Stainless
P0396.HV62-10S	62	10	62	64,35 to 64,47	64,03 to 64,15	215,0	5300	Stainless
P0396.HV62-15S	62	15	62	64,35 to 64,47	64,03 to 64,15	290,0	8450	Stainless
P0396.HV65-25S	65	25	65	67,35 to 67,47	67,03 to 67,15	520,0	14900	Stainless
P0396.HV65-63S	65	63	65	67,35 to 67,47	67,03 to 67,15	850,0	46000	Stainless
P0396.HV70-25S	70	25	70	72,35 to 72,47	72,03 to 72,15	550,0	16900	Stainless
P0396.HV72-10S	72	10	72	74,35 to 74,47	74,03 to 74,15	230,0	6000	Stainless
P0396.HV72-17S	72	17	72	74,35 to 74,47	74,03 to 74,15	420,0	13000	Stainless
P0396.HV72-19S	72	19	72	74,35 to 74,47	74,03 to 74,15	470,0	14500	Stainless
P0396.HV72-20S	72	20	72	74,35 to 74,47	74,03 to 74,15	490,0	15000	Stainless
P0396.HV75-16S	75	16	75	77,35 to 77,47	77,03 to 77,15	520,0	13000	Stainless
P0396.HV75-20S	75	20	75	77,35 to 77,47	77,03 to 77,15	600,0	17000	Stainless
P0396.HV80-12C	80	12	80	82,35 to 82,47	82,03 to 82,15	280,0	11000	Steel
P0396.HV80-20S	80	20	80	82,35 to 82,47	82,03 to 82,15	630,0	16800	Stainless
P0396.HV84-12S	84	12	84	86,82 to 86,96	86,42 to 86,56	490,0	13000	Stainless
P0396.HV85-19C	85	19	85	87,82 to 87,96	87,42 to 87,56	700,0	17000	Steel
P0396.HV90-15S	90	15	90	92,82 to 92,96	92,42 to 92,56	560,0	14000	Stainless
P0396.HV90-20C	90	20	90	92,82 to 92,96	92,42 to 92,56	770,0	18000	Steel
P0396.HV90-23C	90	23	90	92,82 to 92,96	92,42 to 92,56	870,0	21000	Steel
P0396.HV90-25S	90	25	90	92,82 to 92,96	92,42 to 92,56	950,0	22500	Stainless



## P0397

### Material

Stainless steel (type 304, DIN 1.4301).

### Technical Notes

The waves are on the inside, the ring sits on the housing bore with the waves being compressed by the shaft

diameter. Used as a bearing mount where the bearings are required to float axially.

Order No.	d <sub>1</sub>	l	Bearing Ø & no.	d <sub>2</sub>	Max. radial load N
P0397.HVL13-05	13	5	13 (~624)	13,60 to 13,65	125
P0397.HVL16-05	16	5	16 (~625)	16,60 to 16,65	150
P0397.HVL19-06	19	6	19 (~626)	19,60 to 19,65	220
P0397.HVL22-07	22	7	22 (~608)	22,60 to 22,65	300
P0397.HVL24-07	24	7	24 (~609)	24,60 to 24,65	330
P0397.HVL26-08	26	8	26 (~629)	26,60 to 26,65	400
P0397.HVL28-08	28	8	28 (~6001)	28,60 to 28,65	440
P0397.HVL30-09	30	9	30 (~6200)	30,60 to 30,65	520
P0397.HVL32-08	32	8	32 (~16002)	32,60 to 32,65	500
P0397.HVL32-09	32	9	32 (~6002)	32,60 to 32,65	560
P0397.HVL32-10	32	10	32 (~6201)	32,60 to 32,65	620
P0397.HVL35-10	35	10	35 (~6003)	35,60 to 35,65	750
P0397.HVL35-15	35	15	35 (~6202)	35,60 to 35,65	1050
P0397.HVL52-15	52	15	52 (~6205)	52,60 to 52,65	1600