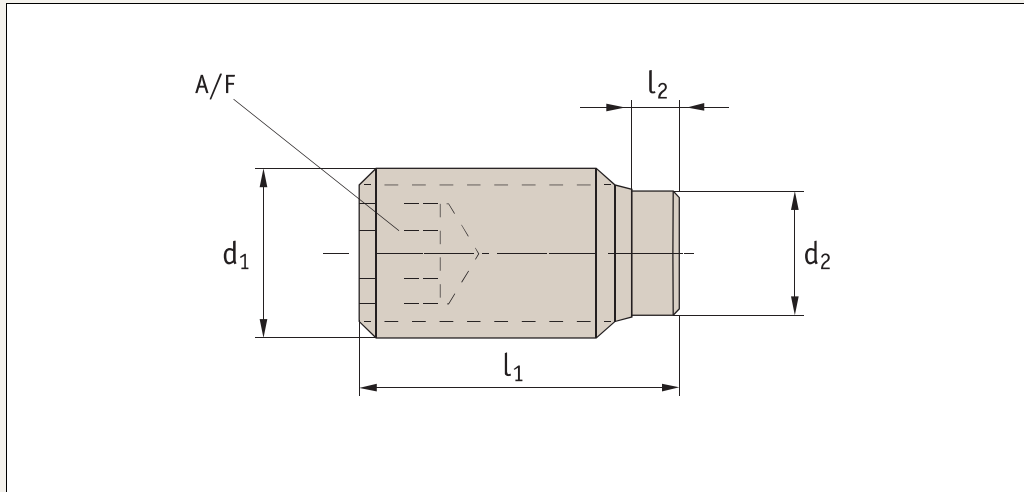




P0120



Material

Stainless steel (A2, AISI 303), brass tip.

Technical Notes

For fine, gentle clamping - non marring, self-locking, also used as position adjustment screw. Conforms to shaft or part surface for positive grip. Screws may be re-used.

Order No.	d ₁	l _{1 nom}	l ₂	d ₂	A/F	g
P0120.030-004	M 3	4	0,8	1,6	1,5	0,2
P0120.030-006	M 3	6	0,8	1,6	1,5	0,2
P0120.030-010	M 3	10	0,8	1,6	1,5	0,2
P0120.040-006	M 4	6	1,2	2,5	2,0	0,3
P0120.040-010	M 4	10	1,2	2,5	2,0	0,8
P0120.040-016	M 4	16	1,2	2,5	2,0	1,2
P0120.050-008	M 5	8	1,3	3,0	2,5	0,9
P0120.050-012	M 5	12	1,3	3,0	2,5	1,4
P0120.050-020	M 5	20	1,3	3,0	2,5	2,1
P0120.060-012	M 6	12	1,9	4,0	3,0	1,7
P0120.060-018	M 6	18	1,9	4,0	3,0	2,7
P0120.060-026	M 6	26	1,9	4,0	3,0	4,2
P0120.080-012	M 8	12	2,5	5,5	4,0	3,0
P0120.080-022	M 8	22	2,5	5,5	4,0	5,8
P0120.080-032	M 8	32	2,5	5,5	4,0	8,9
P0120.100-014	M10	14	2,7	7,0	5,0	5,6
P0120.100-018	M10	18	2,7	7,0	5,0	6,7
P0120.100-027	M10	27	2,7	7,0	5,0	11,0
P0120.100-037	M10	37	2,7	7,0	5,0	16,0
P0120.120-018	M12	18	3,4	8,5	6,0	10,0
P0120.120-022	M12	22	3,4	8,5	6,0	12,0
P0120.120-032	M12	32	3,4	8,5	6,0	20,0
P0120.120-042	M12	42	3,4	8,5	6,0	27,0