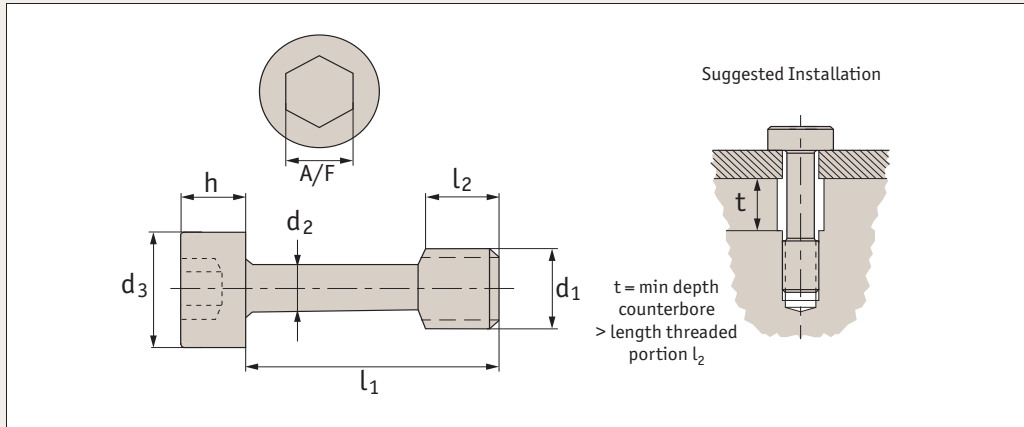




P0154.A2



Material

Stainless steel (A2-70, AISI 303).

Also available on request in steel (anodised, black oxide or zinc plated) stainless steel (A4, AISI 316), brass, aluminium etc.

Technical Notes

Generally to DIN 912.

Often used with our captive washer (P0168) or retaining flanges (P0169 - for sheet metal applications).

Tips

Other head drive styles - add suffix:

-TX for Torx (hexalobular).

Order No.	d ₁	l ₁ ±1,5	d ₂ ±0,12	l ₂ ±0,25	d ₃ max.	h max.	A/F
P0154.030-010-A2	M 3	10	2,0	4,5	5,5	3	2,5
P0154.030-016-A2	M 3	16	2,0	4,5	5,5	3	2,5
P0154.030-020-A2	M 3	20	2,0	4,5	5,5	3	2,5
P0154.030-025-A2	M 3	25	2,0	4,5	5,5	3	2,5
P0154.030-030-A2	M 3	30	2,0	4,5	5,5	3	2,5
P0154.040-012-A2	M 4	12	2,8	6,0	7	4	3
P0154.040-016-A2	M 4	16	2,8	6,0	7	4	3
P0154.040-020-A2	M 4	20	2,8	6,0	7	4	3
P0154.040-025-A2	M 4	20	2,8	6,0	7	4	3
P0154.040-030-A2	M 4	30	2,8	6,0	7	4	3
P0154.040-040-A2	M 4	40	2,8	6,0	7	4	3
P0154.040-050-A2	M 4	50	2,8	6,0	7	4	3
P0154.050-012-A2	M 5	12	3,7	7,5	8,5	5	4
P0154.050-016-A2	M 5	16	3,7	7,5	8,5	5	4
P0154.050-020-A2	M 5	20	3,7	7,5	8,5	5	4
P0154.050-025-A2	M 5	25	3,7	7,5	8,5	5	4
P0154.050-030-A2	M 5	30	3,7	7,5	8,5	5	4
P0154.050-040-A2	M 5	40	3,7	7,5	8,5	5	4
P0154.050-050-A2	M 5	50	3,7	7,5	8,5	5	4
P0154.060-012-A2	M 6	12	4,2	7,5	10	6	5
P0154.060-016-A2	M 6	16	4,2	7,5	10	6	5
P0154.060-020-A2	M 6	20	4,2	7,5	10	6	5
P0154.060-025-A2	M 6	25	4,2	7,5	10	6	5
P0154.060-030-A2	M 6	30	4,2	7,5	10	6	5
P0154.060-040-A2	M 6	40	4,2	7,5	10	6	5
P0154.060-050-A2	M 6	50	4,2	7,5	10	6	5
P0154.060-060-A2	M 6	60	4,2	7,5	10	6	5
P0154.060-080-A2	M 6	80	4,2	7,5	10	6	5

Order No.	d ₁	l ₁ ±1,5	d ₂ ±0,12	l ₂ ±0,25	d ₃ max.	h max.	A/F
P0154.080-016-A2	M 8	16	6,0	10,0	13	8	6
P0154.080-020-A2	M 8	20	6,0	10,0	13	8	6
P0154.080-025-A2	M 8	25	6,0	10,0	13	8	6
P0154.080-030-A2	M 8	30	6,0	10,0	13	8	6
P0154.080-035-A2	M 8	35	6,0	10,0	13	8	6
P0154.080-040-A2	M 8	40	6,0	10,0	13	8	6
P0154.080-045-A2	M 8	45	6,0	10,0	13	8	6
P0154.080-050-A2	M 8	50	6,0	10,0	13	8	6
P0154.080-060-A2	M 8	60	6,0	10,0	13	8	6
P0154.080-080-A2	M 8	80	6,0	10,0	13	8	6
P0154.100-020-A2	M10	20	7,5	12,5	16	10	8
P0154.100-025-A2	M10	25	7,5	12,5	16	10	8
P0154.100-030-A2	M10	30	7,5	12,5	16	10	8
P0154.100-035-A2	M10	35	7,5	12,5	16	10	8
P0154.100-040-A2	M10	40	7,5	12,5	16	10	8
P0154.100-045-A2	M10	45	7,5	12,5	16	10	8
P0154.100-050-A2	M10	50	7,5	12,5	16	10	8
P0154.100-060-A2	M10	60	7,5	12,5	16	10	8
P0154.100-080-A2	M10	80	7,5	12,5	16	10	8
P0154.120-025-A2	M12	25	8,0	15,0	18	12	10
P0154.120-030-A2	M12	30	8,0	15,0	18	12	10
P0154.120-035-A2	M12	35	8,0	15,0	18	12	10
P0154.120-040-A2	M12	40	8,0	15,0	18	12	10
P0154.120-045-A2	M12	45	8,0	15,0	18	12	10
P0154.120-050-A2	M12	50	8,0	15,0	18	12	10
P0154.120-060-A2	M12	60	8,0	15,0	18	12	10
P0154.120-080-A2	M12	80	8,0	15,0	18	12	10