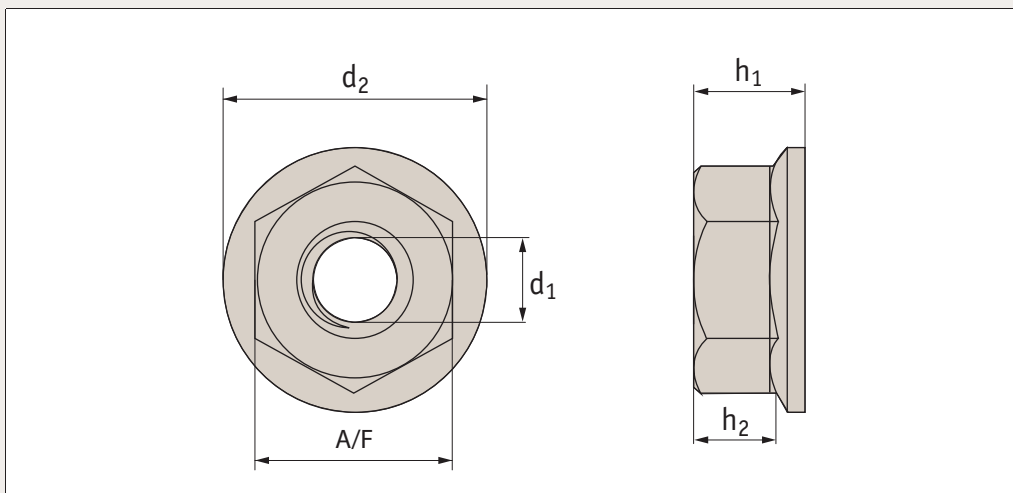




P0309



Material

Stainless steel (A2 & A4) and steel, zinc-plated (class 8).

Technical Notes

To DIN 6923, serrated.

Order No.	d ₁	d _{2 max.}	h _{1 max.}	h _{2 min.}	A/F	Material
P0309.040-A2	M 4	10	4,65	1,9	7	A2 s/s
P0309.050-A2	M 5	11,8	5,0	2,2	8	A2 s/s
P0309.060-A2	M 6	14,2	6,0	3,1	10	A2 s/s
P0309.080-A2	M 8	17,9	8,0	4,5	13	A2 s/s
P0309.100-A2	M10	21,8	10,0	5,5	15	A2 s/s
P0309.120-A2	M12	26,0	12,0	6,7	18	A2 s/s
P0309.160-A2	M16	34,5	16,0	-	24	A2 s/s
P0309.030-A4	M 3	8	3,7	-	5,5	A4 s/s
P0309.040-A4	M 4	10	4,65	1,9	7	A4 s/s
P0309.050-A4	M 5	11,8	5,0	2,2	8	A4 s/s
P0309.060-A4	M 6	14,2	6,0	3,1	10	A4 s/s
P0309.080-A4	M 8	17,9	8,0	4,5	13	A4 s/s

Order No.	d ₁	d _{2 max.}	h _{1 max.}	h _{2 min.}	A/F	Material
P0309.100-A4	M10	21,8	10,0	5,5	15	A4 s/s
P0309.120-A4	M12	26,0	12,0	6,7	18	A4 s/s
P0309.160-A4	M16	34,5	16,0	-	24	A4 s/s
P0309.040-ZP	M 4	10	4,65	1,9	7	Steel ZP
P0309.050-ZP	M 5	11,8	5,0	2,2	8	Steel ZP
P0309.060-ZP	M 6	14,2	6,0	3,1	10	Steel ZP
P0309.080-ZP	M 8	17,9	8,0	4,5	13	Steel ZP
P0309.100-ZP	M10	21,8	10,0	5,5	15	Steel ZP
P0309.120-ZP	M12	26,0	12,0	6,7	18	Steel ZP
P0309.160-ZP	M16	34,5	16,0	-	24	Steel ZP
P0309.200-ZP	M20	42,8	20,0	-	30	Steel ZP