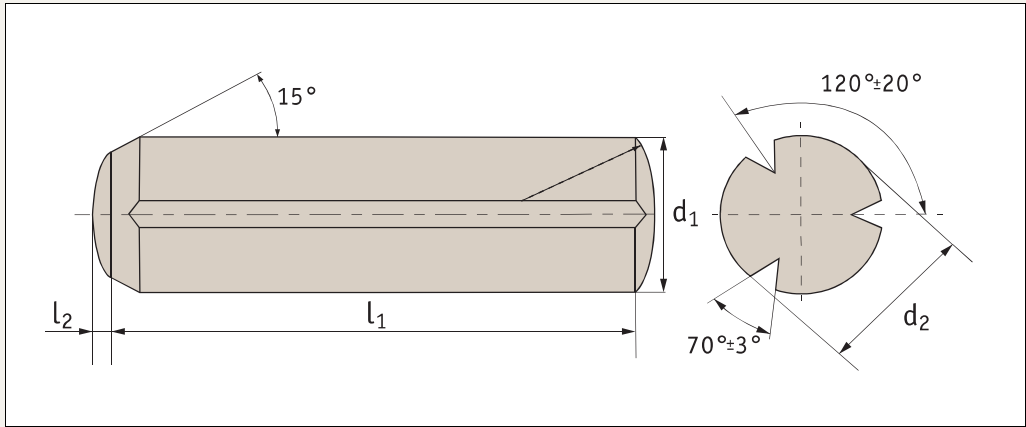




## P1209



### Material

Stainless steel (A2, AISI 303).

### Technical Notes

To DIN 1473 (GP 3, similar to ISO 8740). Full length grooves.

Diameters tolerance under  $\varnothing 4$  h9, over  $\varnothing 4$  tolerance h11.

Nominal length  $l_1$  does not include radiused ends.

Allows the use of non precision holes.

Used to fix two or more components together with maximum rigidity.

### Tips

Three swaged grooves at  $120^\circ$  pitch all along the length.

When the pin is driven into the drilled hole the material displaced is forced back to close up the groove and lock the pin into place.

Allows the use of non precision holes.

Used to fix two or more components together with maximum rigidity.

| Order No.     | $d_1$<br>h9/h11 | $l_1$<br>js15 | $l_2$ | $d_2$<br>over grooves | Hole<br>min. | Hole<br>max. |
|---------------|-----------------|---------------|-------|-----------------------|--------------|--------------|
| P1209.010-004 | 1,0             | 4             | 0,14  | 1,05                  | 0,94         | 1,0          |
| P1209.010-005 | 1,0             | 5             | 0,14  | 1,05                  | 0,94         | 1,0          |
| P1209.010-006 | 1,0             | 6             | 0,14  | 1,05                  | 0,94         | 1,0          |
| P1209.010-008 | 1,0             | 8             | 0,14  | 1,05                  | 0,94         | 1,0          |
| P1209.012-004 | 1,2             | 4             | 0,16  | 1,25                  | 1,14         | 1,2          |
| P1209.012-005 | 1,2             | 5             | 0,16  | 1,25                  | 1,14         | 1,2          |
| P1209.012-006 | 1,2             | 6             | 0,16  | 1,25                  | 1,14         | 1,2          |
| P1209.012-008 | 1,2             | 8             | 0,16  | 1,25                  | 1,14         | 1,2          |
| P1209.015-004 | 1,5             | 4             | 0,20  | 1,60                  | 1,44         | 1,5          |
| P1209.015-005 | 1,5             | 5             | 0,20  | 1,60                  | 1,44         | 1,5          |
| P1209.015-006 | 1,5             | 6             | 0,20  | 1,60                  | 1,44         | 1,5          |
| P1209.015-008 | 1,5             | 8             | 0,20  | 1,60                  | 1,44         | 1,5          |
| P1209.015-010 | 1,5             | 10            | 0,20  | 1,60                  | 1,44         | 1,5          |
| P1209.015-012 | 1,5             | 12            | 0,20  | 1,60                  | 1,44         | 1,5          |
| P1209.015-014 | 1,5             | 14            | 0,20  | 1,60                  | 1,44         | 1,5          |
| P1209.015-016 | 1,5             | 16            | 0,20  | 1,60                  | 1,44         | 1,5          |
| P1209.015-018 | 1,5             | 18            | 0,20  | 1,60                  | 1,44         | 1,5          |
| P1209.015-020 | 1,5             | 20            | 0,20  | 1,60                  | 1,44         | 1,5          |
| P1209.020-004 | 2,0             | 4             | 0,25  | 2,15                  | 1,94         | 2,0          |
| P1209.020-005 | 2,0             | 5             | 0,25  | 2,15                  | 1,94         | 2,0          |
| P1209.020-006 | 2,0             | 6             | 0,25  | 2,15                  | 1,94         | 2,0          |
| P1209.020-008 | 2,0             | 8             | 0,25  | 2,15                  | 1,94         | 2,0          |
| P1209.020-010 | 2,0             | 10            | 0,25  | 2,15                  | 1,94         | 2,0          |
| P1209.020-012 | 2,0             | 12            | 0,25  | 2,15                  | 1,94         | 2,0          |
| P1209.020-014 | 2,0             | 14            | 0,25  | 2,15                  | 1,94         | 2,0          |
| P1209.020-016 | 2,0             | 16            | 0,25  | 2,15                  | 1,94         | 2,0          |

| Order No.     | $d_1$<br>h9/h11 | $l_1$<br>js15 | $l_2$ | $d_2$<br>over grooves | Hole<br>min. | Hole<br>max. |
|---------------|-----------------|---------------|-------|-----------------------|--------------|--------------|
| P1209.020-018 | 2,0             | 18            | 0,25  | 2,15                  | 1,94         | 2,0          |
| P1209.020-020 | 2,0             | 20            | 0,25  | 2,15                  | 1,94         | 2,0          |
| P1209.020-024 | 2,0             | 24            | 0,25  | 2,15                  | 1,94         | 2,0          |
| P1209.020-026 | 2,0             | 26            | 0,25  | 2,15                  | 1,94         | 2,0          |
| P1209.020-028 | 2,0             | 28            | 0,25  | 2,15                  | 1,94         | 2,0          |
| P1209.020-030 | 2,0             | 30            | 0,25  | 2,15                  | 1,94         | 2,0          |
| P1209.025-006 | 2,5             | 6             | 0,30  | 2,65                  | 2,44         | 2,5          |
| P1209.025-008 | 2,5             | 8             | 0,30  | 2,65                  | 2,44         | 2,5          |
| P1209.025-010 | 2,5             | 10            | 0,30  | 2,65                  | 2,44         | 2,5          |
| P1209.025-012 | 2,5             | 12            | 0,30  | 2,65                  | 2,44         | 2,5          |
| P1209.025-014 | 2,5             | 14            | 0,30  | 2,65                  | 2,44         | 2,5          |
| P1209.025-016 | 2,5             | 16            | 0,30  | 2,65                  | 2,44         | 2,5          |
| P1209.025-018 | 2,5             | 18            | 0,30  | 2,65                  | 2,44         | 2,5          |
| P1209.025-020 | 2,5             | 20            | 0,30  | 2,65                  | 2,44         | 2,5          |
| P1209.025-024 | 2,5             | 24            | 0,30  | 2,65                  | 2,44         | 2,5          |
| P1209.025-026 | 2,5             | 26            | 0,30  | 2,65                  | 2,44         | 2,5          |
| P1209.025-028 | 2,5             | 28            | 0,30  | 2,65                  | 2,44         | 2,5          |
| P1209.025-030 | 2,5             | 30            | 0,30  | 2,65                  | 2,44         | 2,5          |
| P1209.030-006 | 3,0             | 6             | 0,40  | 3,20                  | 2,94         | 3,0          |
| P1209.030-008 | 3,0             | 8             | 0,40  | 3,20                  | 2,94         | 3,0          |
| P1209.030-010 | 3,0             | 10            | 0,40  | 3,20                  | 2,94         | 3,0          |
| P1209.030-012 | 3,0             | 12            | 0,40  | 3,20                  | 2,94         | 3,0          |
| P1209.030-014 | 3,0             | 14            | 0,40  | 3,20                  | 2,94         | 3,0          |
| P1209.030-016 | 3,0             | 16            | 0,40  | 3,20                  | 2,94         | 3,0          |
| P1209.030-018 | 3,0             | 18            | 0,40  | 3,20                  | 2,94         | 3,0          |
| P1209.030-020 | 3,0             | 20            | 0,40  | 3,20                  | 2,94         | 3,0          |

# Stainless Grooved Pins

A2 stainless

Pins

| Order No.     | d <sub>1</sub> | l <sub>1</sub> | l <sub>2</sub> | d <sub>2</sub> | Hole |      |
|---------------|----------------|----------------|----------------|----------------|------|------|
|               | h9/h11         | js15           |                | over grooves   | min. | max. |
| P1209.030-024 | 3,0            | 24             | 0,40           | 3,20           | 2,94 | 3,0  |
| P1209.030-026 | 3,0            | 26             | 0,40           | 3,20           | 2,94 | 3,0  |
| P1209.030-028 | 3,0            | 28             | 0,40           | 3,20           | 2,94 | 3,0  |
| P1209.030-030 | 3,0            | 30             | 0,40           | 3,20           | 2,94 | 3,0  |
| P1209.040-006 | 4,0            | 6              | 0,50           | 4,25           | 3,93 | 4,0  |
| P1209.040-008 | 4,0            | 8              | 0,50           | 4,25           | 3,93 | 4,0  |
| P1209.040-010 | 4,0            | 10             | 0,50           | 4,25           | 3,93 | 4,0  |
| P1209.040-012 | 4,0            | 12             | 0,50           | 4,25           | 3,93 | 4,0  |
| P1209.040-014 | 4,0            | 14             | 0,50           | 4,25           | 3,93 | 4,0  |
| P1209.040-016 | 4,0            | 16             | 0,50           | 4,25           | 3,93 | 4,0  |
| P1209.040-018 | 4,0            | 18             | 0,50           | 4,25           | 3,93 | 4,0  |
| P1209.040-020 | 4,0            | 20             | 0,50           | 4,25           | 3,93 | 4,0  |
| P1209.040-024 | 4,0            | 24             | 0,50           | 4,25           | 3,93 | 4,0  |
| P1209.040-026 | 4,0            | 26             | 0,50           | 4,25           | 3,93 | 4,0  |
| P1209.040-028 | 4,0            | 28             | 0,50           | 4,25           | 3,93 | 4,0  |
| P1209.040-030 | 4,0            | 30             | 0,50           | 4,25           | 3,93 | 4,0  |
| P1209.040-032 | 4,0            | 32             | 0,50           | 4,25           | 3,93 | 4,0  |
| P1209.040-036 | 4,0            | 36             | 0,50           | 4,25           | 3,93 | 4,0  |
| P1209.040-040 | 4,0            | 40             | 0,50           | 4,25           | 3,93 | 4,0  |
| P1209.040-045 | 4,0            | 45             | 0,50           | 4,25           | 3,93 | 4,0  |
| P1209.040-050 | 4,0            | 50             | 0,50           | 4,25           | 3,93 | 4,0  |
| P1209.050-008 | 5,0            | 8              | 0,60           | 5,25           | 4,93 | 5,0  |
| P1209.050-010 | 5,0            | 10             | 0,60           | 5,25           | 4,93 | 5,0  |
| P1209.050-012 | 5,0            | 12             | 0,60           | 5,25           | 4,93 | 5,0  |
| P1209.050-014 | 5,0            | 14             | 0,60           | 5,25           | 4,93 | 5,0  |
| P1209.050-016 | 5,0            | 16             | 0,60           | 5,25           | 4,93 | 5,0  |
| P1209.050-018 | 5,0            | 18             | 0,60           | 5,25           | 4,93 | 5,0  |
| P1209.050-020 | 5,0            | 20             | 0,60           | 5,25           | 4,93 | 5,0  |
| P1209.050-024 | 5,0            | 24             | 0,60           | 5,25           | 4,93 | 5,0  |
| P1209.050-026 | 5,0            | 26             | 0,60           | 5,25           | 4,93 | 5,0  |
| P1209.050-028 | 5,0            | 28             | 0,60           | 5,25           | 4,93 | 5,0  |
| P1209.050-030 | 5,0            | 30             | 0,60           | 5,25           | 4,93 | 5,0  |
| P1209.050-032 | 5,0            | 32             | 0,60           | 5,25           | 4,93 | 5,0  |
| P1209.050-036 | 5,0            | 36             | 0,60           | 5,25           | 4,93 | 5,0  |
| P1209.050-040 | 5,0            | 40             | 0,60           | 5,25           | 4,93 | 5,0  |
| P1209.050-045 | 5,0            | 45             | 0,60           | 5,25           | 4,93 | 5,0  |
| P1209.050-050 | 5,0            | 50             | 0,60           | 5,25           | 4,93 | 5,0  |
| P1209.060-008 | 6,0            | 8              | 0,80           | 6,30           | 5,93 | 6,0  |
| P1209.060-010 | 6,0            | 10             | 0,80           | 6,30           | 5,93 | 6,0  |
| P1209.060-012 | 6,0            | 12             | 0,80           | 6,30           | 5,93 | 6,0  |
| P1209.060-014 | 6,0            | 14             | 0,80           | 6,30           | 5,93 | 6,0  |
| P1209.060-016 | 6,0            | 16             | 0,80           | 6,30           | 5,93 | 6,0  |
| P1209.060-018 | 6,0            | 18             | 0,80           | 6,30           | 5,93 | 6,0  |
| P1209.060-020 | 6,0            | 20             | 0,80           | 6,30           | 5,93 | 6,0  |
| P1209.060-024 | 6,0            | 24             | 0,80           | 6,30           | 5,93 | 6,0  |
| P1209.060-026 | 6,0            | 26             | 0,80           | 6,30           | 5,93 | 6,0  |
| P1209.060-028 | 6,0            | 28             | 0,80           | 6,30           | 5,93 | 6,0  |
| P1209.060-030 | 6,0            | 30             | 0,80           | 6,30           | 5,93 | 6,0  |
| P1209.060-032 | 6,0            | 32             | 0,80           | 6,30           | 5,93 | 6,0  |
| P1209.060-036 | 6,0            | 36             | 0,80           | 6,30           | 5,93 | 6,0  |
| P1209.060-040 | 6,0            | 40             | 0,80           | 6,30           | 5,93 | 6,0  |
| P1209.060-045 | 6,0            | 45             | 0,80           | 6,30           | 5,93 | 6,0  |
| P1209.060-050 | 6,0            | 50             | 0,80           | 6,30           | 5,93 | 6,0  |
| P1209.060-055 | 6,0            | 55             | 0,80           | 6,30           | 5,93 | 6,0  |
| P1209.060-060 | 6,0            | 60             | 0,80           | 6,30           | 5,93 | 6,0  |

| Order No.     | d <sub>1</sub> | l <sub>1</sub> | l <sub>2</sub> | d <sub>2</sub> | Hole  |      |
|---------------|----------------|----------------|----------------|----------------|-------|------|
|               | h9/h11         | js15           |                | over grooves   | min.  | max. |
| P1209.080-010 | 8,0            | 10             | 1,00           | 8,30           | 7,91  | 8,0  |
| P1209.080-012 | 8,0            | 12             | 1,00           | 8,30           | 7,91  | 8,0  |
| P1209.080-014 | 8,0            | 14             | 1,00           | 8,30           | 7,91  | 8,0  |
| P1209.080-016 | 8,0            | 16             | 1,00           | 8,30           | 7,91  | 8,0  |
| P1209.080-018 | 8,0            | 18             | 1,00           | 8,30           | 7,91  | 8,0  |
| P1209.080-020 | 8,0            | 20             | 1,00           | 8,30           | 7,91  | 8,0  |
| P1209.080-024 | 8,0            | 24             | 1,00           | 8,30           | 7,91  | 8,0  |
| P1209.080-026 | 8,0            | 26             | 1,00           | 8,30           | 7,91  | 8,0  |
| P1209.080-028 | 8,0            | 28             | 1,00           | 8,30           | 7,91  | 8,0  |
| P1209.080-030 | 8,0            | 30             | 1,00           | 8,30           | 7,91  | 8,0  |
| P1209.080-032 | 8,0            | 32             | 1,00           | 8,30           | 7,91  | 8,0  |
| P1209.080-036 | 8,0            | 36             | 1,00           | 8,30           | 7,91  | 8,0  |
| P1209.080-040 | 8,0            | 40             | 1,00           | 8,30           | 7,91  | 8,0  |
| P1209.080-045 | 8,0            | 45             | 1,00           | 8,30           | 7,91  | 8,0  |
| P1209.080-050 | 8,0            | 50             | 1,00           | 8,30           | 7,91  | 8,0  |
| P1209.080-055 | 8,0            | 55             | 1,00           | 8,30           | 7,91  | 8,0  |
| P1209.080-060 | 8,0            | 60             | 1,00           | 8,30           | 7,91  | 8,0  |
| P1209.080-065 | 8,0            | 65             | 1,00           | 8,30           | 7,91  | 8,0  |
| P1209.080-070 | 8,0            | 70             | 1,00           | 8,30           | 7,91  | 8,0  |
| P1209.100-014 | 10,0           | 14             | 1,20           | 10,35          | 9,91  | 10,0 |
| P1209.100-016 | 10,0           | 16             | 1,20           | 10,35          | 9,91  | 10,0 |
| P1209.100-018 | 10,0           | 18             | 1,20           | 10,35          | 9,91  | 10,0 |
| P1209.100-020 | 10,0           | 20             | 1,20           | 10,35          | 9,91  | 10,0 |
| P1209.100-024 | 10,0           | 24             | 1,20           | 10,35          | 9,91  | 10,0 |
| P1209.100-026 | 10,0           | 26             | 1,20           | 10,35          | 9,91  | 10,0 |
| P1209.100-028 | 10,0           | 28             | 1,20           | 10,35          | 9,91  | 10,0 |
| P1209.100-030 | 10,0           | 30             | 1,20           | 10,35          | 9,91  | 10,0 |
| P1209.100-032 | 10,0           | 32             | 1,20           | 10,35          | 9,91  | 10,0 |
| P1209.100-036 | 10,0           | 36             | 1,20           | 10,35          | 9,91  | 10,0 |
| P1209.100-040 | 10,0           | 40             | 1,20           | 10,35          | 9,91  | 10,0 |
| P1209.100-045 | 10,0           | 45             | 1,20           | 10,35          | 9,91  | 10,0 |
| P1209.100-050 | 10,0           | 50             | 1,20           | 10,35          | 9,91  | 10,0 |
| P1209.100-055 | 10,0           | 55             | 1,20           | 10,35          | 9,91  | 10,0 |
| P1209.100-060 | 10,0           | 60             | 1,20           | 10,35          | 9,91  | 10,0 |
| P1209.100-065 | 10,0           | 65             | 1,20           | 10,35          | 9,91  | 10,0 |
| P1209.100-070 | 10,0           | 70             | 1,20           | 10,35          | 9,91  | 10,0 |
| P1209.100-075 | 10,0           | 75             | 1,20           | 10,35          | 9,91  | 10,0 |
| P1209.100-080 | 10,0           | 80             | 1,20           | 10,35          | 9,91  | 10,0 |
| P1209.120-014 | 12,0           | 14             | 1,60           | 12,35          | 11,89 | 12,0 |
| P1209.120-016 | 12,0           | 16             | 1,60           | 12,35          | 11,89 | 12,0 |
| P1209.120-018 | 12,0           | 18             | 1,60           | 12,35          | 11,89 | 12,0 |
| P1209.120-020 | 12,0           | 20             | 1,60           | 12,35          | 11,89 | 12,0 |
| P1209.120-024 | 12,0           | 24             | 1,60           | 12,35          | 11,89 | 12,0 |
| P1209.120-026 | 12,0           | 26             | 1,60           | 12,35          | 11,89 | 12,0 |
| P1209.120-028 | 12,0           | 28             | 1,60           | 12,35          | 11,89 | 12,0 |
| P1209.120-030 | 12,0           | 30             | 1,60           | 12,35          | 11,89 | 12,0 |
| P1209.120-032 | 12,0           | 32             | 1,60           | 12,35          | 11,89 | 12,0 |
| P1209.120-036 | 12,0           | 36             | 1,60           | 12,35          | 11,89 | 12,0 |
| P1209.120-040 | 12,0           | 40             | 1,60           | 12,35          | 11,89 | 12,0 |
| P1209.120-045 | 12,0           | 45             | 1,60           | 12,35          | 11,89 | 12,0 |
| P1209.120-050 | 12,0           | 50             | 1,60           | 12,35          | 11,89 | 12,0 |
| P1209.120-055 | 12,0           | 55             | 1,60           | 12,35          | 11,89 | 12,0 |
| P1209.120-060 | 12,0           | 60             | 1,60           | 12,35          | 11,89 | 12,0 |
| P1209.120-065 | 12,0           | 65             | 1,60           | 12,35          | 11,89 | 12,0 |
| P1209.120-070 | 12,0           | 70             | 1,60           | 12,35          | 11,89 | 12,0 |
| P1209.120-075 | 12,0           | 75             | 1,60           | 12,35          | 11,89 | 12,0 |
| P1209.120-080 | 12,0           | 80             | 1,60           | 12,35          | 11,89 | 12,0 |