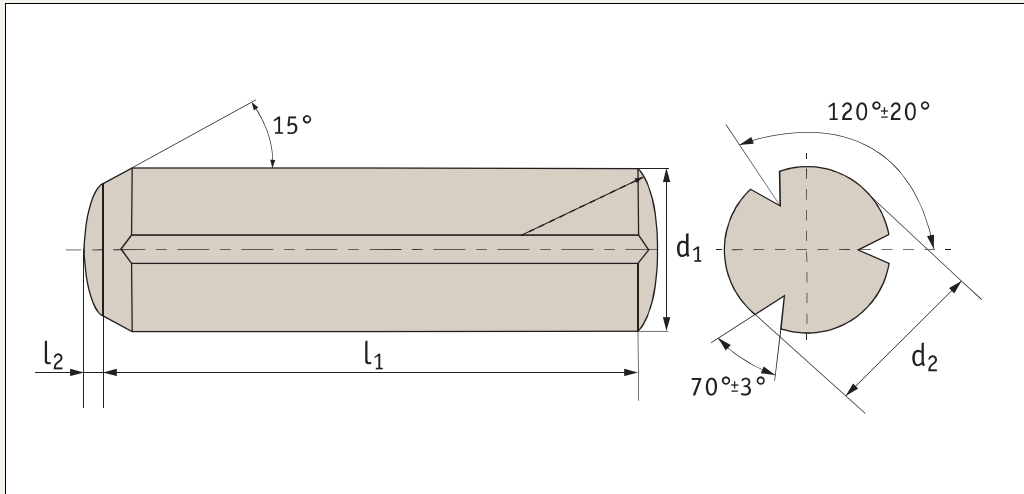


P1208



Material

Mild steel (WS 1,0718, 9SMnPb28).

Technical Notes

To DIN 1473 (GP 3, similar to ISO 8740). Full length grooves.

Diameters tolerance: under $\varnothing 4$ h9, over $\varnothing 4$ tolerance h11.
Nominal length l_1 does not include radiused ends.

Tips

Three swaged grooves at 120° pitch all along the length. When the pin is driven into the drilled hole the material displaced is forced back to close up the groove and lock the pin into place. Allows the use of non precision holes. Used to fix two or more components together with maximum rigidity.

Order No.	d_1	l_1	l_2	d_2	Hole	
	h9/h11	js15			over grooves	min.
P1208.010-004	1,0	4	0,14	1,05	0,94	1,0
P1208.010-005	1,0	5	0,14	1,05	0,94	1,0
P1208.010-006	1,0	6	0,14	1,05	0,94	1,0
P1208.010-008	1,0	8	0,14	1,05	0,94	1,0
P1208.012-004	1,2	4	0,16	1,25	1,14	1,2
P1208.012-005	1,2	5	0,16	1,25	1,14	1,2
P1208.012-006	1,2	6	0,16	1,25	1,14	1,2
P1208.012-008	1,2	8	0,16	1,25	1,14	1,2
P1208.015-004	1,5	4	0,20	1,60	1,44	1,5
P1208.015-005	1,5	5	0,20	1,60	1,44	1,5
P1208.015-006	1,5	6	0,20	1,60	1,44	1,5
P1208.015-008	1,5	8	0,20	1,60	1,44	1,5
P1208.015-010	1,5	10	0,20	1,60	1,44	1,5
P1208.015-012	1,5	12	0,20	1,60	1,44	1,5
P1208.015-014	1,5	14	0,20	1,60	1,44	1,5
P1208.015-016	1,5	16	0,20	1,60	1,44	1,5
P1208.015-018	1,5	18	0,20	1,60	1,44	1,5
P1208.015-020	1,5	20	0,20	1,60	1,44	1,5
P1208.020-004	2,0	4	0,25	2,15	1,94	2,0
P1208.020-005	2,0	5	0,25	2,15	1,94	2,0
P1208.020-006	2,0	6	0,25	2,15	1,94	2,0
P1208.020-008	2,0	8	0,25	2,15	1,94	2,0
P1208.020-010	2,0	10	0,25	2,15	1,94	2,0
P1208.020-012	2,0	12	0,25	2,15	1,94	2,0
P1208.020-014	2,0	14	0,25	2,15	1,94	2,0

Order No.	d_1	l_1	l_2	d_2	Hole	
	h9/h11	js15			over grooves	min.
P1208.020-016	2,0	16	0,25	2,15	1,94	2,0
P1208.020-018	2,0	18	0,25	2,15	1,94	2,0
P1208.020-020	2,0	20	0,25	2,15	1,94	2,0
P1208.020-024	2,0	24	0,25	2,15	1,94	2,0
P1208.020-026	2,0	26	0,25	2,15	1,94	2,0
P1208.020-028	2,0	28	0,25	2,15	1,94	2,0
P1208.020-030	2,0	30	0,25	2,15	1,94	2,0
P1208.025-006	2,5	6	0,30	2,65	2,44	2,5
P1208.025-008	2,5	8	0,30	2,65	2,44	2,5
P1208.025-010	2,5	10	0,30	2,65	2,44	2,5
P1208.025-012	2,5	12	0,30	2,65	2,44	2,5
P1208.025-014	2,5	14	0,30	2,65	2,44	2,5
P1208.025-016	2,5	16	0,30	2,65	2,44	2,5
P1208.025-018	2,5	18	0,30	2,65	2,44	2,5
P1208.025-020	2,5	20	0,30	2,65	2,44	2,5
P1208.025-024	2,5	24	0,30	2,65	2,44	2,5
P1208.025-026	2,5	26	0,30	2,65	2,44	2,5
P1208.025-028	2,5	28	0,30	2,65	2,44	2,5
P1208.025-030	2,5	30	0,30	2,65	2,44	2,5
P1208.030-006	3,0	6	0,40	3,20	2,94	3,0
P1208.030-008	3,0	8	0,40	3,20	2,94	3,0
P1208.030-010	3,0	10	0,40	3,20	2,94	3,0
P1208.030-012	3,0	12	0,40	3,20	2,94	3,0
P1208.030-014	3,0	14	0,40	3,20	2,94	3,0
P1208.030-016	3,0	16	0,40	3,20	2,94	3,0
P1208.030-018	3,0	18	0,40	3,20	2,94	3,0
P1208.030-020	3,0	20	0,40	3,20	2,94	3,0



Order No.	d ₁	l ₁	l ₂	d ₂	Hole	
	h9/h11	js15		over grooves	min.	max.
P1208.030-024	3,0	24	0,40	3,20	2,94	3,0
P1208.030-026	3,0	26	0,40	3,20	2,94	3,0
P1208.030-028	3,0	28	0,40	3,20	2,94	3,0
P1208.030-030	3,0	30	0,40	3,20	2,94	3,0
P1208.040-006	4,0	6	0,50	4,25	3,93	4,0
P1208.040-008	4,0	8	0,50	4,25	3,93	4,0
P1208.040-010	4,0	10	0,50	4,25	3,93	4,0
P1208.040-012	4,0	12	0,50	4,25	3,93	4,0
P1208.040-014	4,0	14	0,50	4,25	3,93	4,0
P1208.040-016	4,0	16	0,50	4,25	3,93	4,0
P1208.040-018	4,0	18	0,50	4,25	3,93	4,0
P1208.040-020	4,0	20	0,50	4,25	3,93	4,0
P1208.040-024	4,0	24	0,50	4,25	3,93	4,0
P1208.040-026	4,0	26	0,50	4,25	3,93	4,0
P1208.040-028	4,0	28	0,50	4,25	3,93	4,0
P1208.040-030	4,0	30	0,50	4,25	3,93	4,0
P1208.040-032	4,0	32	0,50	4,25	3,93	4,0
P1208.040-036	4,0	36	0,50	4,25	3,93	4,0
P1208.040-040	4,0	40	0,50	4,25	3,93	4,0
P1208.040-045	4,0	45	0,50	4,25	3,93	4,0
P1208.040-050	4,0	50	0,50	4,25	3,93	4,0
P1208.050-008	5,0	8	0,60	5,25	4,93	5,0
P1208.050-010	5,0	10	0,60	5,25	4,93	5,0
P1208.050-012	5,0	12	0,60	5,25	4,93	5,0
P1208.050-014	5,0	14	0,60	5,25	4,93	5,0
P1208.050-016	5,0	16	0,60	5,25	4,93	5,0
P1208.050-018	5,0	18	0,60	5,25	4,93	5,0
P1208.050-020	5,0	20	0,60	5,25	4,93	5,0
P1208.050-024	5,0	24	0,60	5,25	4,93	5,0
P1208.050-026	5,0	26	0,60	5,25	4,93	5,0
P1208.050-028	5,0	28	0,60	5,25	4,93	5,0
P1208.050-030	5,0	30	0,60	5,25	4,93	5,0
P1208.050-032	5,0	32	0,60	5,25	4,93	5,0
P1208.050-036	5,0	34	0,60	5,25	4,93	5,0
P1208.050-040	5,0	40	0,60	5,25	4,93	5,0
P1208.050-045	5,0	45	0,60	5,25	4,93	5,0
P1208.050-050	5,0	50	0,60	5,25	4,93	5,0
P1208.060-008	6,0	8	0,80	6,30	5,93	6,0
P1208.060-010	6,0	10	0,80	6,30	5,93	6,0
P1208.060-012	6,0	12	0,80	6,30	5,93	6,0
P1208.060-014	6,0	14	0,80	6,30	5,93	6,0
P1208.060-016	6,0	16	0,80	6,30	5,93	6,0
P1208.060-018	6,0	18	0,80	6,30	5,93	6,0
P1208.060-020	6,0	20	0,80	6,30	5,93	6,0
P1208.060-024	6,0	24	0,80	6,30	5,93	6,0
P1208.060-026	6,0	26	0,80	6,30	5,93	6,0
P1208.060-028	6,0	28	0,80	6,30	5,93	6,0
P1208.060-030	6,0	30	0,80	6,30	5,93	6,0
P1208.060-032	6,0	32	0,80	6,30	5,93	6,0
P1208.060-036	6,0	36	0,80	6,30	5,93	6,0
P1208.060-040	6,0	40	0,80	6,30	5,93	6,0
P1208.060-045	6,0	45	0,80	6,30	5,93	6,0
P1208.060-050	6,0	50	0,80	6,30	5,93	6,0
P1208.060-055	6,0	55	0,80	6,30	5,93	6,0
P1208.080-010	8,0	10	1,00	8,30	7,91	8,0

Order No.	d ₁	l ₁	l ₂	d ₂	Hole	
	h9/h11	js15		over grooves	min.	max.
P1208.080-012	8,0	12	1,00	8,30	7,91	8,0
P1208.080-014	8,0	14	1,00	8,30	7,91	8,0
P1208.080-016	8,0	16	1,00	8,30	7,91	8,0
P1208.080-018	8,0	18	1,00	8,30	7,91	8,0
P1208.080-020	8,0	20	1,00	8,30	7,91	8,0
P1208.080-024	8,0	24	1,00	8,30	7,91	8,0
P1208.080-026	8,0	26	1,00	8,30	7,91	8,0
P1208.080-028	8,0	28	1,00	8,30	7,91	8,0
P1208.080-030	8,0	30	1,00	8,30	7,91	8,0
P1208.080-032	8,0	32	1,00	8,30	7,91	8,0
P1208.080-036	8,0	36	1,00	8,30	7,91	8,0
P1208.080-040	8,0	40	1,00	8,30	7,91	8,0
P1208.080-045	8,0	45	1,00	8,30	7,91	8,0
P1208.080-050	8,0	50	1,00	8,30	7,91	8,0
P1208.080-055	8,0	55	1,00	8,30	7,91	8,0
P1208.080-060	8,0	60	1,00	8,30	7,91	8,0
P1208.080-065	8,0	65	1,00	8,30	7,91	8,0
P1208.080-070	8,0	70	1,00	8,30	7,91	8,0
P1208.100-014	10,0	14	1,20	10,35	9,91	10,0
P1208.100-016	10,0	16	1,20	10,35	9,91	10,0
P1208.100-018	10,0	18	1,20	10,35	9,91	10,0
P1208.100-020	10,0	20	1,20	10,35	9,91	10,0
P1208.100-024	10,0	24	1,20	10,35	9,91	10,0
P1208.100-026	10,0	26	1,20	10,35	9,91	10,0
P1208.100-028	10,0	28	1,20	10,35	9,91	10,0
P1208.100-030	10,0	30	1,20	10,35	9,91	10,0
P1208.100-032	10,0	32	1,20	10,35	9,91	10,0
P1208.100-036	10,0	36	1,20	10,35	9,91	10,0
P1208.100-040	10,0	40	1,20	10,35	9,91	10,0
P1208.100-045	10,0	45	1,20	10,35	9,91	10,0
P1208.100-050	10,0	50	1,20	10,35	9,91	10,0
P1208.100-055	10,0	55	1,20	10,35	9,91	10,0
P1208.100-060	10,0	60	1,20	10,35	9,91	10,0
P1208.100-065	10,0	65	1,20	10,35	9,91	10,0
P1208.100-070	10,0	70	1,20	10,35	9,91	10,0
P1208.100-075	10,0	75	1,20	10,35	9,91	10,0
P1208.100-080	10,0	80	1,20	10,35	9,91	10,0
P1208.120-014	12,0	14	1,60	12,35	11,89	12,0
P1208.120-016	12,0	16	1,60	12,35	11,89	12,0
P1208.120-018	12,0	18	1,60	12,35	11,89	12,0
P1208.120-020	12,0	20	1,60	12,35	11,89	12,0
P1208.120-024	12,0	24	1,60	12,35	11,89	12,0
P1208.120-026	12,0	26	1,60	12,35	11,89	12,0
P1208.120-028	12,0	28	1,60	12,35	11,89	12,0
P1208.120-030	12,0	30	1,60	12,35	11,89	12,0
P1208.120-032	12,0	32	1,60	12,35	11,89	12,0
P1208.120-036	12,0	36	1,60	12,35	11,89	12,0
P1208.120-040	12,0	40	1,60	12,35	11,89	12,0
P1208.120-045	12,0	45	1,60	12,35	11,89	12,0
P1208.120-050	12,0	50	1,60	12,35	11,89	12,0
P1208.120-055	12,0	55	1,60	12,35	11,89	12,0
P1208.120-060	12,0	60	1,60	12,35	11,89	12,0
P1208.120-065	12,0	65	1,60	12,35	11,89	12,0
P1208.120-070	12,0	70	1,60	12,35	11,89	12,0
P1208.120-075	12,0	75	1,60	12,35	11,89	12,0
P1208.120-080	12,0	80	1,60	12,35	11,89	12,0