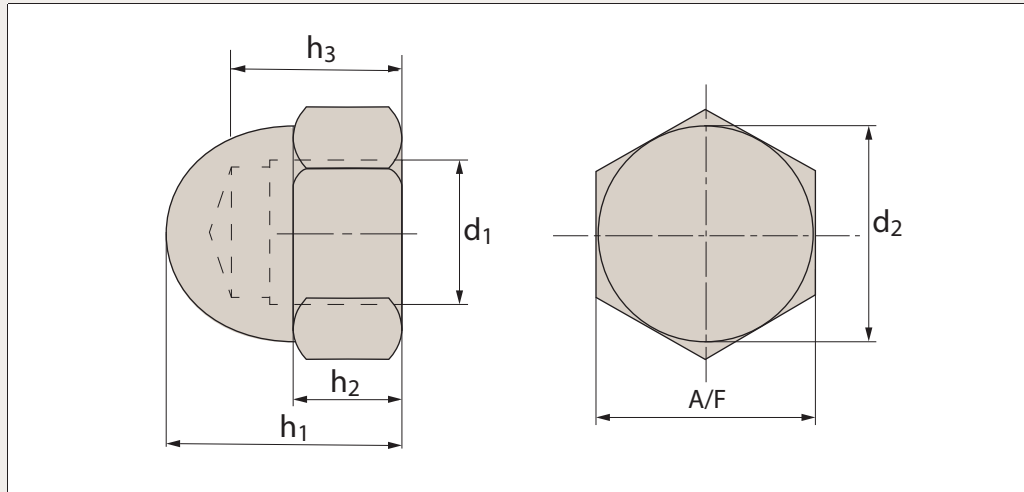




P0318



Material

Stainless steel (A2 & A4), steel (zinc-plated & self-colour class 8), brass and nylon.

Technical Notes

To DIN 1587.

Order No.	d ₁	h _{1 max.}	h _{2 max.}	h ₃	d ₂	A/F	Material
P0318.030-A2	M 3	7	2,4	4,5	5,5	5,5	A2 s/s
P0318.040-A2	M 4	8	3,2	5,5	6,5	7,0	A2 s/s
P0318.050-A2	M 5	10	4,0	7,5	7,5	8,0	A2 s/s
P0318.060-A2	M 6	12	5,0	8,0	9,5	10	A2 s/s
P0318.080-A2	M 8	15	6,5	11,0	12,5	10	A2 s/s
P0318.100-A2	M10	18	8,0	13,0	16,0	17	A2 s/s
P0318.120-A2	M12	22	10	16,0	18,0	19	A2 s/s
P0318.140-A2	M14	25	11	18,0	21,0	22	A2 s/s
P0318.160-A2	M16	28	13	21,0	23,0	24	A2 s/s
P0318.180-A2	M18	32	15	25,0	26,0	27	A2 s/s
P0318.200-A2	M20	34	16	26,0	28,0	30	A2 s/s
P0318.220-A2	M22	39	18	29,0	33,0	34	A2 s/s
P0318.240-A2	M24	42	19	31,0	34,0	36	A2 s/s
P0318.270-A2	M27	47	22	35,0	40,0	41	A2 s/s
P0318.300-A2	M30	52	24	38,0	42,0	46	A2 s/s
P0318.030-A4	M 3	6	2,4	4,5	5,5	5,5	A4 s/s
P0318.040-A4	M 4	8	3,2	5,5	6,5	7,0	A4 s/s
P0318.050-A4	M 5	10	4,0	7,5	7,5	8,0	A4 s/s
P0318.060-A4	M 6	12	5,0	8,0	9,5	10,0	A4 s/s
P0318.080-A4	M 8	15	6,5	11,0	12,5	13,0	A4 s/s
P0318.100-A4	M10	18	8,0	13,0	16,0	17,0	A4 s/s
P0318.120-A4	M12	22	10	16,0	18,0	19,0	A4 s/s
P0318.140-A4	M14	25	11	18,0	21,0	22,0	A4 s/s
P0318.160-A4	M16	28	13	21,0	23,0	24,0	A4 s/s
P0318.180-A4	M18	32	15	25,0	26,0	27,0	A4 s/s
P0318.200-A4	M20	34	16	26,0	28,0	30,0	A4 s/s
P0318.220-A4	M22	39	18	29,0	33,0	34,0	A4 s/s
P0318.240-A4	M24	42	19	31,0	36,0	36,0	A4 s/s
P0318.270-A4	M27	47	22	35,0	40,0	41,0	A4 s/s
P0318.300-A4	M30	52	24	38,0	42,0	46,0	A4 s/s
P0318.040-ZP	M 4	8	3,2	5,5	7,0	8,0	Steel ZP
P0318.050-ZP	M 5	10	4,0	7,5	8,0	10,0	Steel ZP
P0318.060-ZP	M 6	12	5,0	8,0	10,0	12,0	Steel ZP

Order No.	d ₁	h _{1 max.}	h _{2 max.}	h ₃	d ₂	A/F	Material
P0318.080-ZP	M 8	15	6,5	11,0	13,0	15,0	Steel ZP
P0318.100-ZP	M10	18	8,0	13,0	17,0	20,0	Steel ZP
P0318.120-ZP	M12	22	10	16,0	19,0	25,0	Steel ZP
P0318.160-ZP	M16	28	13	21,0	24,0	30,0	Steel ZP
P0318.200-ZP	M20	34	16	26,0	30,0	35,0	Steel ZP
P0318.240-ZP	M24	42	19	31,0	36,0	40,0	Steel ZP
P0318.270-ZP	M27	47	22	35,0	41,0	50,0	Steel ZP
P0318.060-SC	M 6	12	5,0	8,0	9,5	10,0	Steel SC
P0318.080-SC	M 8	15	6,5	11,0	12,5	13,0	Steel SC
P0318.100-SC	M10	18	8,0	13,0	16,0	17,0	Steel SC
P0318.120-SC	M12	22	10	16,0	18,0	19,0	Steel SC
P0318.160-SC	M16	28	13	21,0	23,0	24,0	Steel SC
P0318.200-SC	M20	34	16	26,0	30,0	30,0	Steel SC
P0318.240-SC	M24	42	19	31,0	34,0	36,0	Steel SC
P0318.270-SC	M27	47	22	35,0	40,0	41,0	Steel SC
P0318.300-SC	M30	52	24	38,0	42,0	46,0	Steel SC
P0318.030-BR	M 3	6	2,4	4,5	5,5	5,5	Brass
P0318.040-BR	M 4	8	3,2	5,5	6,5	7,0	Brass
P0318.050-BR	M 5	10	4,0	7,5	7,5	8,0	Brass
P0318.060-BR	M 6	12	5,0	8,0	9,5	10,0	Brass
P0318.080-BR	M 8	15	6,5	11,0	12,5	13,0	Brass
P0318.100-BR	M10	18	8,0	13,0	16,0	17,0	Brass
P0318.120-BR	M12	22	10	16,0	18,0	19,0	Brass
P0318.160-BR	M16	28	13	21,0	23,0	24,0	Brass
P0318.200-BR	M20	34	16	26,0	28,0	30,0	Brass
P0318.030-NL	M 3	6	2,4	4,5	5,5	5,5	Nylon
P0318.040-NL	M 4	8	3,2	4,5	6,5	7,0	Nylon
P0318.050-NL	M 5	10	4,0	7,5	7,5	8,0	Nylon
P0318.060-NL	M 6	12	5,0	8,0	9,5	10,0	Nylon
P0318.080-NL	M 8	15	6,5	11,0	12,5	13,0	Nylon
P0318.100-NL	M10	18	8,0	13,0	16,0	17,0	Nylon