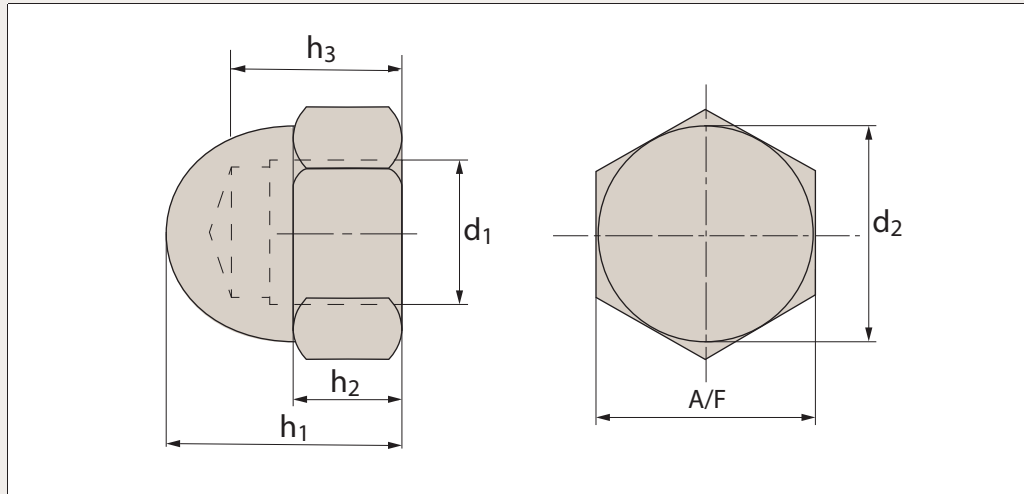




## P0318



### Material

Stainless steel (A2 & A4), steel (zinc-plated & self-colour class 8), brass and nylon.

### Technical Notes

To DIN 1587.

Order No.	d <sub>1</sub>	h <sub>1 max.</sub>	h <sub>2 max.</sub>	h <sub>3</sub>	d <sub>2</sub>	A/F	Material
<b>P0318.030-A2</b>	M 3	7	2,4	4,5	5,5	5,5	A2 s/s
<b>P0318.040-A2</b>	M 4	8	3,2	5,5	6,5	7,0	A2 s/s
<b>P0318.050-A2</b>	M 5	10	4,0	7,5	7,5	8,0	A2 s/s
<b>P0318.060-A2</b>	M 6	12	5,0	8,0	9,5	10	A2 s/s
<b>P0318.080-A2</b>	M 8	15	6,5	11,0	12,5	10	A2 s/s
<b>P0318.100-A2</b>	M10	18	8,0	13,0	16,0	17	A2 s/s
<b>P0318.120-A2</b>	M12	22	10	16,0	18,0	19	A2 s/s
<b>P0318.140-A2</b>	M14	25	11	18,0	21,0	22	A2 s/s
<b>P0318.160-A2</b>	M16	28	13	21,0	23,0	24	A2 s/s
<b>P0318.180-A2</b>	M18	32	15	25,0	26,0	27	A2 s/s
<b>P0318.200-A2</b>	M20	34	16	26,0	28,0	30	A2 s/s
<b>P0318.220-A2</b>	M22	39	18	29,0	33,0	34	A2 s/s
<b>P0318.240-A2</b>	M24	42	19	31,0	34,0	36	A2 s/s
<b>P0318.270-A2</b>	M27	47	22	35,0	40,0	41	A2 s/s
<b>P0318.300-A2</b>	M30	52	24	38,0	42,0	46	A2 s/s
<b>P0318.030-A4</b>	M 3	6	2,4	4,5	5,5	5,5	A4 s/s
<b>P0318.040-A4</b>	M 4	8	3,2	5,5	6,5	7,0	A4 s/s
<b>P0318.050-A4</b>	M 5	10	4,0	7,5	7,5	8,0	A4 s/s
<b>P0318.060-A4</b>	M 6	12	5,0	8,0	9,5	10,0	A4 s/s
<b>P0318.080-A4</b>	M 8	15	6,5	11,0	12,5	13,0	A4 s/s
<b>P0318.100-A4</b>	M10	18	8,0	13,0	16,0	17,0	A4 s/s
<b>P0318.120-A4</b>	M12	22	10	16,0	18,0	19,0	A4 s/s
<b>P0318.140-A4</b>	M14	25	11	18,0	21,0	22,0	A4 s/s
<b>P0318.160-A4</b>	M16	28	13	21,0	23,0	24,0	A4 s/s
<b>P0318.180-A4</b>	M18	32	15	25,0	26,0	27,0	A4 s/s
<b>P0318.200-A4</b>	M20	34	16	26,0	28,0	30,0	A4 s/s
<b>P0318.220-A4</b>	M22	39	18	29,0	33,0	34,0	A4 s/s
<b>P0318.240-A4</b>	M24	42	19	31,0	36,0	36,0	A4 s/s
<b>P0318.270-A4</b>	M27	47	22	35,0	40,0	41,0	A4 s/s
<b>P0318.300-A4</b>	M30	52	24	38,0	42,0	46,0	A4 s/s
<b>P0318.040-ZP</b>	M 4	8	3,2	5,5	7,0	8,0	Steel ZP
<b>P0318.050-ZP</b>	M 5	10	4,0	7,5	8,0	10,0	Steel ZP
<b>P0318.060-ZP</b>	M 6	12	5,0	8,0	10,0	12,0	Steel ZP

Order No.	d <sub>1</sub>	h <sub>1 max.</sub>	h <sub>2 max.</sub>	h <sub>3</sub>	d <sub>2</sub>	A/F	Material
<b>P0318.080-ZP</b>	M 8	15	6,5	11,0	13,0	15,0	Steel ZP
<b>P0318.100-ZP</b>	M10	18	8,0	13,0	17,0	20,0	Steel ZP
<b>P0318.120-ZP</b>	M12	22	10	16,0	19,0	25,0	Steel ZP
<b>P0318.160-ZP</b>	M16	28	13	21,0	24,0	30,0	Steel ZP
<b>P0318.200-ZP</b>	M20	34	16	26,0	30,0	35,0	Steel ZP
<b>P0318.240-ZP</b>	M24	42	19	31,0	36,0	40,0	Steel ZP
<b>P0318.270-ZP</b>	M27	47	22	35,0	41,0	50,0	Steel ZP
<b>P0318.060-SC</b>	M 6	12	5,0	8,0	9,5	10,0	Steel SC
<b>P0318.080-SC</b>	M 8	15	6,5	11,0	12,5	13,0	Steel SC
<b>P0318.100-SC</b>	M10	18	8,0	13,0	16,0	17,0	Steel SC
<b>P0318.120-SC</b>	M12	22	10	16,0	18,0	19,0	Steel SC
<b>P0318.160-SC</b>	M16	28	13	21,0	23,0	24,0	Steel SC
<b>P0318.200-SC</b>	M20	34	16	26,0	30,0	30,0	Steel SC
<b>P0318.240-SC</b>	M24	42	19	31,0	34,0	36,0	Steel SC
<b>P0318.270-SC</b>	M27	47	22	35,0	40,0	41,0	Steel SC
<b>P0318.300-SC</b>	M30	52	24	38,0	42,0	46,0	Steel SC
<b>P0318.030-BR</b>	M 3	6	2,4	4,5	5,5	5,5	Brass
<b>P0318.040-BR</b>	M 4	8	3,2	5,5	6,5	7,0	Brass
<b>P0318.050-BR</b>	M 5	10	4,0	7,5	7,5	8,0	Brass
<b>P0318.060-BR</b>	M 6	12	5,0	8,0	9,5	10,0	Brass
<b>P0318.080-BR</b>	M 8	15	6,5	11,0	12,5	13,0	Brass
<b>P0318.100-BR</b>	M10	18	8,0	13,0	16,0	17,0	Brass
<b>P0318.120-BR</b>	M12	22	10	16,0	18,0	19,0	Brass
<b>P0318.160-BR</b>	M16	28	13	21,0	23,0	24,0	Brass
<b>P0318.200-BR</b>	M20	34	16	26,0	28,0	30,0	Brass
<b>P0318.030-NL</b>	M 3	6	2,4	4,5	5,5	5,5	Nylon
<b>P0318.040-NL</b>	M 4	8	3,2	4,5	6,5	7,0	Nylon
<b>P0318.050-NL</b>	M 5	10	4,0	7,5	7,5	8,0	Nylon
<b>P0318.060-NL</b>	M 6	12	5,0	8,0	9,5	10,0	Nylon
<b>P0318.080-NL</b>	M 8	15	6,5	11,0	12,5	13,0	Nylon
<b>P0318.100-NL</b>	M10	18	8,0	13,0	16,0	17,0	Nylon