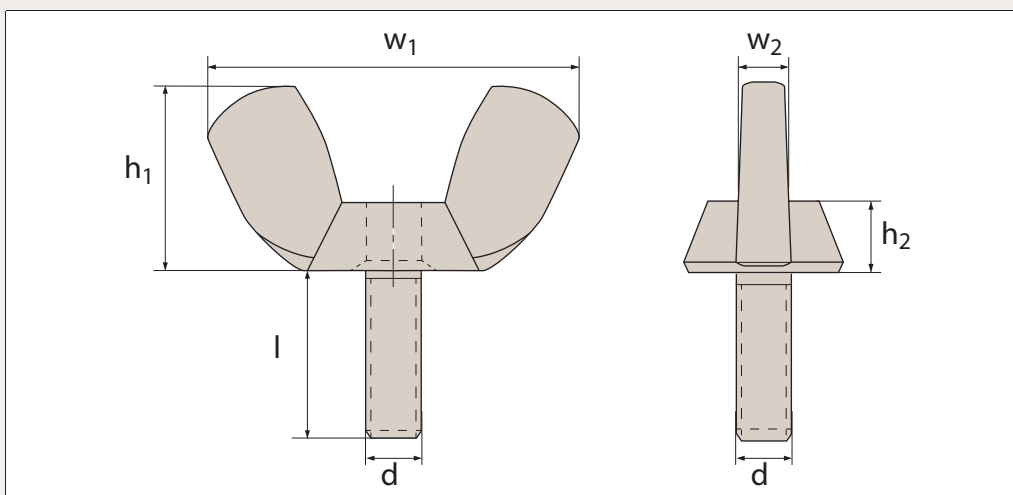




## P0329



### Material

Stainless steel (A2 AISI 303 & A4 AISI 316), steel (zinc-plated) and brass.

### Technical Notes

To DIN 316 AF.

Order No.	d	l	w <sub>1</sub>	h <sub>1</sub>	h <sub>2</sub>	w <sub>2</sub>	Material
P0329.030-010-A2	M 3	10	17,6	8,6	2,4	1,2	A2 s/s
P0329.030-012-A2	M 3	12	17,6	8,6	2,4	1,2	A2 s/s
P0329.030-016-A2	M 3	16	17,6	8,6	2,4	1,2	A2 s/s
P0329.030-020-A2	M 3	20	17,6	8,6	2,4	1,2	A2 s/s
P0329.030-025-A2	M 3	25	17,6	8,6	2,4	1,2	A2 s/s
P0329.030-030-A2	M 3	30	17,6	8,6	2,4	1,2	A2 s/s
P0329.040-010-A2	M 4	10	18,0	8,5	3,2	1,6	A2 s/s
P0329.040-012-A2	M 4	12	18,0	8,5	3,2	1,6	A2 s/s
P0329.040-016-A2	M 4	16	18,0	8,5	3,2	1,6	A2 s/s
P0329.040-020-A2	M 4	20	18,0	8,5	3,2	1,6	A2 s/s
P0329.040-025-A2	M 4	25	18,0	8,5	3,2	1,6	A2 s/s
P0329.040-030-A2	M 4	30	18,0	8,5	3,2	1,6	A2 s/s
P0329.040-035-A2	M 4	35	18,0	8,5	3,2	1,6	A2 s/s
P0329.040-040-A2	M 4	40	18,0	8,5	3,2	1,6	A2 s/s
P0329.050-010-A2	M 5	10	24,0	11,0	4,0	2,1	A2 s/s
P0329.050-012-A2	M 5	12	24,0	11,0	4,0	2,1	A2 s/s
P0329.050-016-A2	M 5	16	24,0	11,0	4,0	2,1	A2 s/s
P0329.050-020-A2	M 5	20	24,0	11,0	4,0	2,1	A2 s/s
P0329.050-025-A2	M 5	25	24,0	11,0	4,0	2,1	A2 s/s
P0329.050-030-A2	M 5	30	24,0	11,0	4,0	2,1	A2 s/s
P0329.050-035-A2	M 5	35	24,0	11,0	4,0	2,1	A2 s/s
P0329.050-040-A2	M 5	40	24,0	11,0	4,0	2,1	A2 s/s
P0329.050-045-A2	M 5	45	24,0	11,0	4,0	2,1	A2 s/s
P0329.050-050-A2	M 5	50	24,0	11,0	4,0	2,1	A2 s/s
P0329.060-010-A2	M 6	10	30,0	15,0	5,0	2,5	A2 s/s
P0329.060-012-A2	M 6	12	30,0	15,0	5,0	2,5	A2 s/s
P0329.060-016-A2	M 6	16	30,0	15,0	5,0	2,5	A2 s/s
P0329.060-020-A2	M 6	20	30,0	15,0	5,0	2,5	A2 s/s
P0329.060-025-A2	M 6	25	30,0	15,0	5,0	2,5	A2 s/s
P0329.060-030-A2	M 6	30	30,0	15,0	5,0	2,5	A2 s/s
P0329.060-035-A2	M 6	35	30,0	15,0	5,0	2,5	A2 s/s
P0329.060-040-A2	M 6	40	30,0	15,0	5,0	2,5	A2 s/s

Order No.	d	l	w <sub>1</sub>	h <sub>1</sub>	h <sub>2</sub>	w <sub>2</sub>	Material
P0329.060-045-A2	M 6	45	30,0	15,0	5,0	2,5	A2 s/s
P0329.060-050-A2	M 6	50	30,0	15,0	5,0	2,5	A2 s/s
P0329.080-010-A2	M 8	10	36,0	18,0	6,5	2,8	A2 s/s
P0329.080-012-A2	M 8	12	36,0	18,0	6,5	2,8	A2 s/s
P0329.080-016-A2	M 8	16	36,0	18,0	6,5	2,8	A2 s/s
P0329.080-020-A2	M 8	20	36,0	18,0	6,5	2,8	A2 s/s
P0329.080-025-A2	M 8	25	36,0	18,0	6,5	2,8	A2 s/s
P0329.080-030-A2	M 8	30	36,0	18,0	6,5	2,8	A2 s/s
P0329.080-035-A2	M 8	35	36,0	18,0	6,5	2,8	A2 s/s
P0329.080-040-A2	M 8	40	36,0	18,0	6,5	2,8	A2 s/s
P0329.080-045-A2	M 8	45	36,0	18,0	6,5	2,8	A2 s/s
P0329.080-050-A2	M 8	50	36,0	18,0	6,5	2,8	A2 s/s
P0329.080-055-A2	M 8	55	36,0	18,0	6,5	2,8	A2 s/s
P0329.080-060-A2	M 8	60	36,0	18,0	6,5	2,8	A2 s/s
P0329.100-016-A2	M10	16	48,0	23,0	8,0	3,3	A2 s/s
P0329.100-020-A2	M10	20	48,0	23,0	8,0	3,3	A2 s/s
P0329.100-025-A2	M10	25	48,0	23,0	8,0	3,3	A2 s/s
P0329.100-030-A2	M10	30	48,0	23,0	8,0	3,3	A2 s/s
P0329.100-035-A2	M10	35	48,0	23,0	8,0	3,3	A2 s/s
P0329.100-040-A2	M10	40	48,0	23,0	8,0	3,3	A2 s/s
P0329.100-045-A2	M10	45	48,0	23,0	8,0	3,3	A2 s/s
P0329.100-050-A2	M10	50	48,0	23,0	8,0	3,3	A2 s/s
P0329.100-055-A2	M10	55	48,0	23,0	8,0	3,3	A2 s/s
P0329.100-060-A2	M10	60	48,0	23,0	8,0	3,3	A2 s/s
P0329.120-020-A2	M12	20	62,0	31,0	10,0	4,5	A2 s/s
P0329.120-025-A2	M12	25	62,0	31,0	10,0	4,5	A2 s/s
P0329.120-030-A2	M12	30	62,0	31,0	10,0	4,5	A2 s/s
P0329.030-010-A4	M 3	10	17,6	8,6	2,4	1,2	A4 s/s
P0329.030-012-A4	M 3	12	17,6	8,6	2,4	1,2	A4 s/s
P0329.030-016-A4	M 3	16	17,6	8,6	2,4	1,2	A4 s/s
P0329.030-020-A4	M 3	20	17,6	8,6	2,4	1,2	A4 s/s

# Wing Screws

male thread

# Nuts & Washers

Order No.	d	l	w <sub>1</sub>	h <sub>1</sub>	h <sub>2</sub>	w <sub>2</sub>	Material
<b>P0329.030-025-A4</b>	M 3	25	17,6	8,6	2,4	1,2	A4 s/s
<b>P0329.030-030-A4</b>	M 3	30	17,6	8,6	2,4	1,2	A4 s/s
<b>P0329.040-010-A4</b>	M 4	10	18,0	8,5	3,2	1,6	A4 s/s
<b>P0329.040-012-A4</b>	M 4	12	18,0	8,5	3,2	1,6	A4 s/s
<b>P0329.040-016-A4</b>	M 4	16	18,0	8,5	3,2	1,6	A4 s/s
<b>P0329.040-020-A4</b>	M 4	20	18,0	8,5	3,2	1,6	A4 s/s
<b>P0329.040-025-A4</b>	M 4	25	18,0	8,5	3,2	1,6	A4 s/s
<b>P0329.040-030-A4</b>	M 4	30	18,0	8,5	3,2	1,6	A4 s/s
<b>P0329.040-035-A4</b>	M 4	35	18,0	8,5	3,2	1,6	A4 s/s
<b>P0329.040-040-A4</b>	M 4	40	18,0	8,5	3,2	1,6	A4 s/s
<b>P0329.050-010-A4</b>	M 5	10	24,0	11,0	4,0	2,1	A4 s/s
<b>P0329.050-012-A4</b>	M 5	12	24,0	11,0	4,0	2,1	A4 s/s
<b>P0329.050-016-A4</b>	M 5	16	24,0	11,0	4,0	2,1	A4 s/s
<b>P0329.050-020-A4</b>	M 5	20	24,0	11,0	4,0	2,1	A4 s/s
<b>P0329.050-025-A4</b>	M 5	25	24,0	11,0	4,0	2,1	A4 s/s
<b>P0329.050-030-A4</b>	M 5	30	24,0	11,0	4,0	2,1	A4 s/s
<b>P0329.050-035-A4</b>	M 5	35	24,0	11,0	4,0	2,1	A4 s/s
<b>P0329.050-040-A4</b>	M 5	40	24,0	11,0	4,0	2,1	A4 s/s
<b>P0329.050-045-A4</b>	M 5	45	24,0	11,0	4,0	2,1	A4 s/s
<b>P0329.050-050-A4</b>	M 5	50	24,0	11,0	4,0	2,1	A4 s/s
<b>P0329.060-010-A4</b>	M 6	10	30,0	15,0	5,0	2,5	A4 s/s
<b>P0329.060-012-A4</b>	M 6	12	30,0	15,0	5,0	2,5	A4 s/s
<b>P0329.060-016-A4</b>	M 6	16	30,0	15,0	5,0	2,5	A4 s/s
<b>P0329.060-020-A4</b>	M 6	20	30,0	15,0	5,0	2,5	A4 s/s
<b>P0329.060-025-A4</b>	M 6	25	30,0	15,0	5,0	2,5	A4 s/s
<b>P0329.060-030-A4</b>	M 6	30	30,0	15,0	5,0	2,5	A4 s/s
<b>P0329.060-035-A4</b>	M 6	35	30,0	15,0	5,0	2,5	A4 s/s
<b>P0329.060-040-A4</b>	M 6	40	30,0	15,0	5,0	2,5	A4 s/s
<b>P0329.060-045-A4</b>	M 6	45	30,0	15,0	5,0	2,5	A4 s/s
<b>P0329.060-050-A2</b>	M 6	50	30,0	15,0	5,0	2,5	A4 s/s
<b>P0329.080-010-A4</b>	M 8	10	36,0	18,0	6,5	2,8	A4 s/s
<b>P0329.080-012-A4</b>	M 8	12	36,0	18,0	6,5	2,8	A4 s/s
<b>P0329.080-016-A4</b>	M 8	16	36,0	18,0	6,5	2,8	A4 s/s
<b>P0329.080-020-A4</b>	M 8	20	36,0	18,0	6,5	2,8	A4 s/s
<b>P0329.080-025-A4</b>	M 8	25	36,0	18,0	6,5	2,8	A4 s/s
<b>P0329.080-030-A4</b>	M 8	30	36,0	18,0	6,5	2,8	A4 s/s
<b>P0329.080-035-A4</b>	M 8	35	36,0	18,0	6,5	2,8	A4 s/s
<b>P0329.080-040-A4</b>	M 8	40	36,0	18,0	6,5	2,8	A4 s/s
<b>P0329.080-045-A4</b>	M 8	45	36,0	18,0	6,5	2,8	A4 s/s
<b>P0329.080-050-A4</b>	M 8	50	36,0	18,0	6,5	2,8	A4 s/s
<b>P0329.080-055-A4</b>	M 8	55	36,0	18,0	6,5	2,8	A4 s/s
<b>P0329.080-060-A2</b>	M 8	60	36,0	18,0	6,5	2,8	A4 s/s
<b>P0329.100-016-A4</b>	M10	16	48,0	23,0	8,0	3,3	A4 s/s
<b>P0329.100-020-A4</b>	M10	20	48,0	23,0	8,0	3,3	A4 s/s
<b>P0329.100-025-A4</b>	M10	25	48,0	23,0	8,0	3,3	A4 s/s
<b>P0329.100-030-A4</b>	M10	30	48,0	23,0	8,0	3,3	A4 s/s
<b>P0329.100-035-A4</b>	M10	35	48,0	23,0	8,0	3,3	A4 s/s
<b>P0329.100-040-A4</b>	M10	40	48,0	23,0	8,0	3,3	A4 s/s
<b>P0329.100-045-A4</b>	M10	45	48,0	23,0	8,0	3,3	A4 s/s
<b>P0329.100-050-A4</b>	M10	50	48,0	23,0	8,0	3,3	A4 s/s
<b>P0329.100-055-A4</b>	M10	55	48,0	23,0	8,0	3,3	A4 s/s
<b>P0329.100-060-A4</b>	M10	60	48,0	23,0	8,0	3,3	A4 s/s
<b>P0329.120-020-A4</b>	M12	20	62,0	31,0	10,0	4,5	A4 s/s
<b>P0329.120-025-A4</b>	M12	25	62,0	31,0	10,0	4,5	A4 s/s
<b>P0329.120-030-A4</b>	M12	30	62,0	31,0	10,0	4,5	A4 s/s

Order No.	d	l	w <sub>1</sub>	h <sub>1</sub>	h <sub>2</sub>	w <sub>2</sub>	Material
<b>P0329.030-010-ZP</b>	M 3	10	17,6	8,6	2,4	1,2	Steel ZP
<b>P0329.030-012-ZP</b>	M 3	12	17,6	8,6	2,4	1,2	Steel ZP
<b>P0329.030-016-ZP</b>	M 3	16	17,6	8,6	2,4	1,2	Steel ZP
<b>P0329.030-020-ZP</b>	M 3	20	17,6	8,6	2,4	1,2	Steel ZP
<b>P0329.030-025-ZP</b>	M 3	25	17,6	8,6	2,4	1,2	Steel ZP
<b>P0329.030-030-ZP</b>	M 3	30	17,6	8,6	2,4	1,2	Steel ZP
<b>P0329.040-010-ZP</b>	M 4	10	18,0	8,5	3,2	1,6	Steel ZP
<b>P0329.040-012-ZP</b>	M 4	12	18,0	8,5	3,2	1,6	Steel ZP
<b>P0329.040-016-ZP</b>	M 4	16	18,0	8,5	3,2	1,6	Steel ZP
<b>P0329.040-020-ZP</b>	M 4	20	18,0	8,5	3,2	1,6	Steel ZP
<b>P0329.040-025-ZP</b>	M 4	25	18,0	8,5	3,2	1,6	Steel ZP
<b>P0329.040-030-ZP</b>	M 4	30	18,0	8,5	3,2	1,6	Steel ZP
<b>P0329.040-035-ZP</b>	M 4	35	18,0	8,5	3,2	1,6	Steel ZP
<b>P0329.040-040-ZP</b>	M 4	40	18,0	8,5	3,2	1,6	Steel ZP
<b>P0329.050-010-ZP</b>	M 5	10	24,0	11,0	4,0	2,1	Steel ZP
<b>P0329.050-012-ZP</b>	M 5	12	24,0	11,0	4,0	2,1	Steel ZP
<b>P0329.050-016-ZP</b>	M 5	16	24,0	11,0	4,0	2,1	Steel ZP
<b>P0329.050-020-ZP</b>	M 5	20	24,0	11,0	4,0	2,1	Steel ZP
<b>P0329.050-025-ZP</b>	M 5	25	24,0	11,0	4,0	2,1	Steel ZP
<b>P0329.050-030-ZP</b>	M 5	30	24,0	11,0	4,0	2,1	Steel ZP
<b>P0329.050-035-ZP</b>	M 5	35	24,0	11,0	4,0	2,1	Steel ZP
<b>P0329.050-040-ZP</b>	M 5	40	24,0	11,0	4,0	2,1	Steel ZP
<b>P0329.050-045-ZP</b>	M 5	45	24,0	11,0	4,0	2,1	Steel ZP
<b>P0329.050-050-ZP</b>	M 5	50	24,0	11,0	4,0	2,1	Steel ZP
<b>P0329.060-010-ZP</b>	M 6	10	30,0	15,0	5,0	2,5	Steel ZP
<b>P0329.060-012-ZP</b>	M 6	12	30,0	15,0	5,0	2,5	Steel ZP
<b>P0329.060-016-ZP</b>	M 6	16	30,0	15,0	5,0	2,5	Steel ZP
<b>P0329.060-020-ZP</b>	M 6	20	30,0	15,0	5,0	2,5	Steel ZP
<b>P0329.060-025-ZP</b>	M 6	25	30,0	15,0	5,0	2,5	Steel ZP
<b>P0329.060-030-ZP</b>	M 6	30	30,0	15,0	5,0	2,5	Steel ZP
<b>P0329.060-035-ZP</b>	M 6	35	30,0	15,0	5,0	2,5	Steel ZP
<b>P0329.060-040-ZP</b>	M 6	40	30,0	15,0	5,0	2,5	Steel ZP
<b>P0329.060-045-ZP</b>	M 6	45	30,0	15,0	5,0	2,5	Steel ZP
<b>P0329.060-050-ZP</b>	M 6	50	30,0	15,0	5,0	2,5	Steel ZP
<b>P0329.080-010-ZP</b>	M 8	10	36,0	18,0	6,5	2,8	Steel ZP
<b>P0329.080-012-ZP</b>	M 8	12	36,0	18,0	6,5	2,8	Steel ZP
<b>P0329.080-016-ZP</b>	M 8	16	36,0	18,0	6,5	2,8	Steel ZP
<b>P0329.080-020-ZP</b>	M 8	20	36,0	18,0	6,5	2,8	Steel ZP
<b>P0329.080-025-ZP</b>	M 8	25	36,0	18,0	6,5	2,8	Steel ZP
<b>P0329.080-030-ZP</b>	M 8	30	36,0	18,0	6,5	2,8	Steel ZP
<b>P0329.080-035-ZP</b>	M 8	35	36,0	18,0	6,5	2,8	Steel ZP
<b>P0329.080-040-ZP</b>	M 8	40	36,0	18,0	6,5	2,8	Steel ZP
<b>P0329.080-045-ZP</b>	M 8	45	36,0	18,0	6,5	2,8	Steel ZP
<b>P0329.080-050-ZP</b>	M 8	50	36,0	18,0	6,5	2,8	Steel ZP
<b>P0329.080-055-ZP</b>	M 8	55	36,0	18,0	6,5	2,8	Steel ZP
<b>P0329.080-060-ZP</b>	M 8	60	36,0	18,0	6,5	2,8	Steel ZP
<b>P0329.100-016-ZP</b>	M10	16	48,0	23,0	8,0	3,3	Steel ZP
<b>P0329.100-020-ZP</b>	M10	20	48,0	23,0	8,0	3,3	Steel ZP
<b>P0329.100-025-ZP</b>	M10	25	48,0	23,0	8,0	3,3	Steel ZP
<b>P0329.100-030-ZP</b>	M10	30	48,0	23,0	8,0	3,3	Steel ZP
<b>P0329.100-035-ZP</b>	M10	35	48,0	23,0	8,0	3,3	Steel ZP
<b>P0329.100-040-ZP</b>	M10	40	48,0	23,0	8,0	3,3	Steel ZP
<b>P0329.100-045-ZP</b>	M10	45	48,0	23,0	8,0	3,3	Steel ZP
<b>P0329.100-050-ZP</b>	M10	50	48,0	23,0	8,0	3,3	Steel ZP
<b>P0329.100-055-ZP</b>	M10	55	48,0	23,0	8,0	3,3	Steel ZP
<b>P0329.100-060-ZP</b>	M10	60	48,0	23,0	8,0	3,3	Steel ZP

Order No.	d	l	w <sub>1</sub>	h <sub>1</sub>	h <sub>2</sub>	w <sub>2</sub>	Material
<b>P0329.120-020-ZP</b>	M12	20	62,0	31,0	10,0	4,5	Steel ZP
<b>P0329.120-025-ZP</b>	M12	25	62,0	31,0	10,0	4,5	Steel ZP
<b>P0329.120-030-ZP</b>	M12	30	62,0	31,0	10,0	4,5	Steel ZP
<b>P0329.030-010-BR</b>	M 3	10	17,6	8,6	2,4	1,2	Brass
<b>P0329.030-012-BR</b>	M 3	12	17,6	8,6	2,4	1,2	Brass
<b>P0329.030-016-BR</b>	M 3	16	17,6	8,6	2,4	1,2	Brass
<b>P0329.030-020-BR</b>	M 3	20	17,6	8,6	2,4	1,2	Brass
<b>P0329.030-025-BR</b>	M 3	25	17,6	8,6	2,4	1,2	Brass
<b>P0329.030-030-BR</b>	M 3	30	17,6	8,6	2,4	1,2	Brass
<b>P0329.040-010-BR</b>	M 4	10	18,0	8,5	3,2	1,6	Brass
<b>P0329.040-012-BR</b>	M 4	12	18,0	8,5	3,2	1,6	Brass
<b>P0329.040-016-BR</b>	M 4	16	18,0	8,5	3,2	1,6	Brass
<b>P0329.040-020-BR</b>	M 4	20	18,0	8,5	3,2	1,6	Brass
<b>P0329.040-025-BR</b>	M 4	25	18,0	8,5	3,2	1,6	Brass
<b>P0329.040-030-BR</b>	M 4	30	18,0	8,5	3,2	1,6	Brass
<b>P0329.040-035-BR</b>	M 4	35	18,0	8,5	3,2	1,6	Brass
<b>P0329.040-040-BR</b>	M 4	40	18,0	8,5	3,2	1,6	Brass
<b>P0329.050-010-BR</b>	M 5	10	24,0	11,0	4,0	2,1	Brass
<b>P0329.050-012-BR</b>	M 5	12	24,0	11,0	4,0	2,1	Brass
<b>P0329.050-016-BR</b>	M 5	16	24,0	11,0	4,0	2,1	Brass
<b>P0329.050-020-BR</b>	M 5	20	24,0	11,0	4,0	2,1	Brass
<b>P0329.050-025-BR</b>	M 5	25	24,0	11,0	4,0	2,1	Brass
<b>P0329.050-030-BR</b>	M 5	30	24,0	11,0	4,0	2,1	Brass
<b>P0329.050-035-BR</b>	M 5	35	24,0	11,0	4,0	2,1	Brass
<b>P0329.050-040-BR</b>	M 5	40	24,0	11,0	4,0	2,1	Brass
<b>P0329.050-045-BR</b>	M 5	45	24,0	11,0	4,0	2,1	Brass
<b>P0329.050-050-BR</b>	M 5	50	24,0	11,0	4,0	2,1	Brass
<b>P0329.060-010-BR</b>	M 6	10	30,0	15,0	5,0	2,5	Brass
<b>P0329.060-012-BR</b>	M 6	12	30,0	15,0	5,0	2,5	Brass
<b>P0329.060-016-BR</b>	M 6	16	30,0	15,0	5,0	2,5	Brass
<b>P0329.060-020-BR</b>	M 6	20	30,0	15,0	5,0	2,5	Brass

Order No.	d	l	w <sub>1</sub>	h <sub>1</sub>	h <sub>2</sub>	w <sub>2</sub>	Material
<b>P0329.060-025-BR</b>	M 6	25	30,0	15,0	5,0	2,5	Brass
<b>P0329.060-030-BR</b>	M 6	30	30,0	15,0	5,0	2,5	Brass
<b>P0329.060-035-BR</b>	M 6	35	30,0	15,0	5,0	2,5	Brass
<b>P0329.060-040-BR</b>	M 6	40	30,0	15,0	5,0	2,5	Brass
<b>P0329.060-045-BR</b>	M 6	45	30,0	15,0	5,0	2,5	Brass
<b>P0329.060-050-BR</b>	M 6	50	30,0	15,0	5,0	2,5	Brass
<b>P0329.080-010-BR</b>	M 8	10	36,0	18,0	6,5	2,8	Brass
<b>P0329.080-012-BR</b>	M 8	12	36,0	18,0	6,5	2,8	Brass
<b>P0329.080-016-BR</b>	M 8	16	36,0	18,0	6,5	2,8	Brass
<b>P0329.080-020-BR</b>	M 8	20	36,0	18,0	6,5	2,8	Brass
<b>P0329.080-025-BR</b>	M 8	25	36,0	18,0	6,5	2,8	Brass
<b>P0329.080-030-BR</b>	M 8	30	36,0	18,0	6,5	2,8	Brass
<b>P0329.080-035-BR</b>	M 8	35	36,0	18,0	6,5	2,8	Brass
<b>P0329.080-040-BR</b>	M 8	40	36,0	18,0	6,5	2,8	Brass
<b>P0329.080-045-BR</b>	M 8	45	36,0	18,0	6,5	2,8	Brass
<b>P0329.080-050-BR</b>	M 8	50	36,0	18,0	6,5	2,8	Brass
<b>P0329.080-055-BR</b>	M 8	55	36,0	18,0	6,5	2,8	Brass
<b>P0329.080-060-BR</b>	M 8	60	36,0	18,0	6,5	2,8	Brass
<b>P0329.100-016-BR</b>	M10	16	48,0	23,0	8,0	3,3	Brass
<b>P0329.100-020-BR</b>	M10	20	48,0	23,0	8,0	3,3	Brass
<b>P0329.100-025-BR</b>	M10	25	48,0	23,0	8,0	3,3	Brass
<b>P0329.100-030-BR</b>	M10	30	48,0	23,0	8,0	3,3	Brass
<b>P0329.100-035-BR</b>	M10	35	48,0	23,0	8,0	3,3	Brass
<b>P0329.100-040-BR</b>	M10	40	48,0	23,0	8,0	3,3	Brass
<b>P0329.100-045-BR</b>	M10	45	48,0	23,0	8,0	3,3	Brass
<b>P0329.100-050-BR</b>	M10	50	48,0	23,0	8,0	3,3	Brass
<b>P0329.100-055-BR</b>	M10	55	48,0	23,0	8,0	3,3	Brass
<b>P0329.100-060-BR</b>	M10	60	48,0	23,0	8,0	3,3	Brass
<b>P0329.120-020-BR</b>	M12	20	62,0	31,0	10,0	4,5	Brass
<b>P0329.120-025-BR</b>	M12	25	62,0	31,0	10,0	4,5	Brass
<b>P0329.120-030-BR</b>	M12	30	62,0	31,0	10,0	4,5	Brass