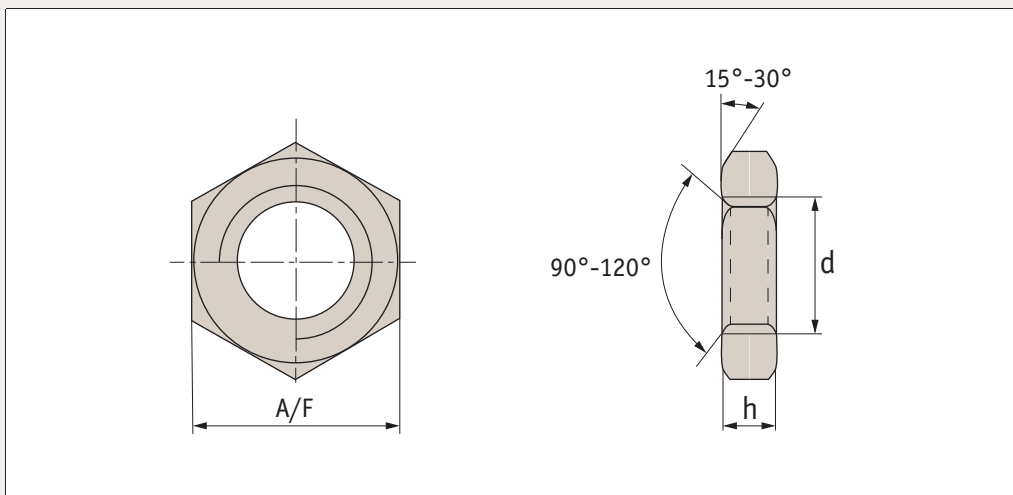


P0305



Material

Stainless steel (A2 & A4, class 70), steel class 4 (zinc-plated & self-colour), brass and nylon.

Technical Notes

To DIN 439. Standard metric coarse pitch threads. For fine thread lock nuts see P0306.

Order No.	d	h	A/F	Material
P0305.016-A2	M1,6	0,75	3,2	A2 s/s
P0305.017-A2	M1,7	0,75	3,5	A2 s/s
P0305.020-A2	M 2	0,95	4	A2 s/s
P0305.023-A2	M2,3	0,95	4,5	A2 s/s
P0305.025-A2	M2,5	1,35	5	A2 s/s
P0305.026-A2	M2,6	1,35	5	A2 s/s
P0305.030-A2	M 3	1,55	5,5	A2 s/s
P0305.040-A2	M 4	1,95	7	A2 s/s
P0305.050-A2	M 5	2,45	8	A2 s/s
P0305.060-A2	M 6	2,9	10	A2 s/s
P0305.080-A2	M 8	3,7	13	A2 s/s
P0305.100-A2	M10	4,7	17	A2 s/s
P0305.120-A2	M12	5,7	19	A2 s/s
P0305.140-A2	M14	6,42	22	A2 s/s
P0305.160-A2	M16	7,42	24	A2 s/s
P0305.180-A2	M18	8,42	27	A2 s/s
P0305.200-A2	M20	9,1	30	A2 s/s
P0305.220-A2	M22	9,9	34	A2 s/s
P0305.240-A2	M24	10,9	36	A2 s/s
P0305.270-A2	M27	12,4	41	A2 s/s
P0305.300-A2	M30	13,9	46	A2 s/s
P0305.330-A2	M33	15,4	50	A2 s/s
P0305.360-A2	M36	16,9	55	A2 s/s
P0305.420-A2	M42	19,7	65	A2 s/s
P0305.480-A2	M48	22,7	75	A2 s/s
P0305.016-A4	M1,6	0,75	3,2	A4 s/s
P0305.017-A4	M1,7	0,75	3,5	A4 s/s
P0305.020-A4	M 2	0,95	4	A4 s/s
P0305.023-A4	M2,3	0,95	4,5	A4 s/s
P0305.025-A4	M2,5	1,35	5	A4 s/s
P0305.026-A4	M2,6	1,35	5	A4 s/s
P0305.030-A4	M 3	1,55	5,5	A4 s/s
P0305.040-A4	M 4	1,95	7	A4 s/s
P0305.050-A4	M 5	2,45	8	A4 s/s

Order No.	d	h	A/F	Material
P0305.060-A4	M 6	2,9	10	A4 s/s
P0305.080-A4	M 8	3,7	13	A4 s/s
P0305.100-A4	M10	4,7	17	A4 s/s
P0305.120-A4	M12	5,7	19	A4 s/s
P0305.140-A4	M14	6,42	22	A4 s/s
P0305.160-A4	M16	7,42	24	A4 s/s
P0305.180-A4	M18	8,42	27	A4 s/s
P0305.200-A4	M20	9,1	30	A4 s/s
P0305.220-A4	M22	9,9	34	A4 s/s
P0305.240-A4	M24	10,9	36	A4 s/s
P0305.270-A4	M27	12,4	41	A4 s/s
P0305.300-A4	M30	13,9	46	A4 s/s
P0305.330-A4	M33	15,4	50	A4 s/s
P0305.360-A4	M36	16,9	55	A4 s/s
P0305.420-A4	M42	19,7	65	A4 s/s
P0305.480-A4	M48	22,7	75	A4 s/s
P0305.020-ZP	M 2	0,95	4	Steel ZP
P0305.025-ZP	M2,5	1,35	5	Steel ZP
P0305.030-ZP	M 3	1,55	5,5	Steel ZP
P0305.040-ZP	M 4	1,95	7	Steel ZP
P0305.050-ZP	M 5	2,45	8	Steel ZP
P0305.060-ZP	M 6	2,9	10	Steel ZP
P0305.080-ZP	M 8	3,7	13	Steel ZP
P0305.100-ZP	M10	4,7	17	Steel ZP
P0305.120-ZP	M12	5,7	19	Steel ZP
P0305.140-ZP	M14	6,42	22	Steel ZP
P0305.160-ZP	M16	7,42	24	Steel ZP
P0305.180-ZP	M18	8,42	27	Steel ZP
P0305.200-ZP	M20	9,1	30	Steel ZP
P0305.220-ZP	M22	9,9	34	Steel ZP
P0305.240-ZP	M24	10,9	36	Steel ZP
P0305.270-ZP	M27	12,4	41	Steel ZP
P0305.300-ZP	M30	13,9	46	Steel ZP
P0305.330-ZP	M33	15,4	50	Steel ZP



Order No.	d	h	A/F	Material
P0305.360-ZP	M36	16,9	55	Steel ZP
P0305.420-ZP	M42	19,7	65	Steel ZP
P0305.020-SC	M 2	0,95	4	Steel SC
P0305.025-SC	M2,6	1,35	5	Steel SC
P0305.030-SC	M 3	1,55	5,5	Steel SC
P0305.040-SC	M 4	1,95	7	Steel SC
P0305.050-SC	M 5	2,45	8	Steel SC
P0305.060-SC	M 6	2,9	10	Steel SC
P0305.080-SC	M 8	3,7	13	Steel SC
P0305.100-SC	M10	4,7	17	Steel SC
P0305.120-SC	M12	5,7	19	Steel SC
P0305.140-SC	M14	6,42	22	Steel SC
P0305.160-SC	M16	7,42	24	Steel SC
P0305.180-SC	M18	8,42	27	Steel SC
P0305.200-SC	M20	9,1	30	Steel SC
P0305.220-SC	M22	9,9	34	Steel SC
P0305.240-SC	M24	10,9	36	Steel SC
P0305.270-SC	M27	12,4	41	Steel SC
P0305.300-SC	M30	13,9	46	Steel SC
P0305.330-SC	M33	15,4	50	Steel SC
P0305.360-SC	M36	16,9	55	Steel SC
P0305.390-SC	M39	19,5	60	Steel SC

Order No.	d	h	A/F	Material
P0305.420-SC	M42	21	65	Steel SC
P0305.450-SC	M45	22,5	70	Steel SC
P0305.480-SC	M48	24	75	Steel SC
P0305.520-SC	M52	26	80	Steel SC
P0305.560-SC	M56	28	85	Steel SC
P0305.600-SC	M60	30	90	Steel SC
P0305.030-BR	M 3	1,55	5,5	Brass
P0305.040-BR	M 4	1,95	7	Brass
P0305.050-BR	M 5	2,45	8	Brass
P0305.060-BR	M 6	2,9	10	Brass
P0305.080-BR	M 8	3,7	13	Brass
P0305.100-BR	M10	4,7	17	Brass
P0305.120-BR	M12	5,7	19	Brass
P0305.140-BR	M14	6,42	22	Brass
P0305.160-BR	M16	7,42	24	Brass
P0305.180-BR	M18	8,42	27	Brass
P0305.200-BR	M20	9,1	30	Brass
P0305.220-BR	M22	9,9	34	Brass
P0305.240-BR	M24	10,9	36	Brass
P0305.270-BR	M27	12,4	41	Brass
P0305.300-BR	M30	13,9	46	Brass