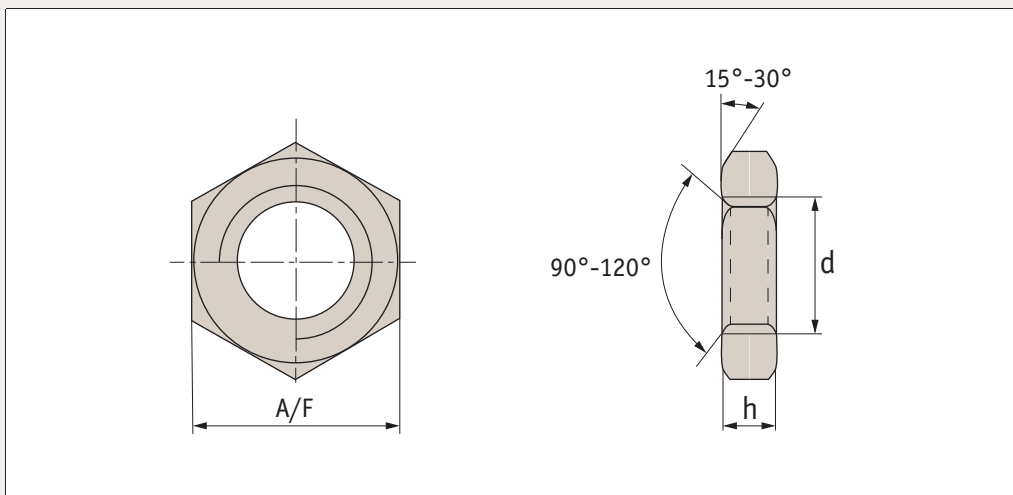


## P0305



### Material

Stainless steel (A2 & A4, class 70), steel class 4 (zinc-plated & self-colour), brass and nylon.

### Technical Notes

To DIN 439. Standard metric coarse pitch threads. For fine thread lock nuts see P0306.

Order No.	d	h	A/F	Material
P0305.016-A2	M1,6	0,75	3,2	A2 s/s
P0305.017-A2	M1,7	0,75	3,5	A2 s/s
P0305.020-A2	M 2	0,95	4	A2 s/s
P0305.023-A2	M2,3	0,95	4,5	A2 s/s
P0305.025-A2	M2,5	1,35	5	A2 s/s
P0305.026-A2	M2,6	1,35	5	A2 s/s
P0305.030-A2	M 3	1,55	5,5	A2 s/s
P0305.040-A2	M 4	1,95	7	A2 s/s
P0305.050-A2	M 5	2,45	8	A2 s/s
P0305.060-A2	M 6	2,9	10	A2 s/s
P0305.080-A2	M 8	3,7	13	A2 s/s
P0305.100-A2	M10	4,7	17	A2 s/s
P0305.120-A2	M12	5,7	19	A2 s/s
P0305.140-A2	M14	6,42	22	A2 s/s
P0305.160-A2	M16	7,42	24	A2 s/s
P0305.180-A2	M18	8,42	27	A2 s/s
P0305.200-A2	M20	9,1	30	A2 s/s
P0305.220-A2	M22	9,9	34	A2 s/s
P0305.240-A2	M24	10,9	36	A2 s/s
P0305.270-A2	M27	12,4	41	A2 s/s
P0305.300-A2	M30	13,9	46	A2 s/s
P0305.330-A2	M33	15,4	50	A2 s/s
P0305.360-A2	M36	16,9	55	A2 s/s
P0305.420-A2	M42	19,7	65	A2 s/s
P0305.480-A2	M48	22,7	75	A2 s/s
P0305.016-A4	M1,6	0,75	3,2	A4 s/s
P0305.017-A4	M1,7	0,75	3,5	A4 s/s
P0305.020-A4	M 2	0,95	4	A4 s/s
P0305.023-A4	M2,3	0,95	4,5	A4 s/s
P0305.025-A4	M2,5	1,35	5	A4 s/s
P0305.026-A4	M2,6	1,35	5	A4 s/s
P0305.030-A4	M 3	1,55	5,5	A4 s/s
P0305.040-A4	M 4	1,95	7	A4 s/s
P0305.050-A4	M 5	2,45	8	A4 s/s

Order No.	d	h	A/F	Material
P0305.060-A4	M 6	2,9	10	A4 s/s
P0305.080-A4	M 8	3,7	13	A4 s/s
P0305.100-A4	M10	4,7	17	A4 s/s
P0305.120-A4	M12	5,7	19	A4 s/s
P0305.140-A4	M14	6,42	22	A4 s/s
P0305.160-A4	M16	7,42	24	A4 s/s
P0305.180-A4	M18	8,42	27	A4 s/s
P0305.200-A4	M20	9,1	30	A4 s/s
P0305.220-A4	M22	9,9	34	A4 s/s
P0305.240-A4	M24	10,9	36	A4 s/s
P0305.270-A4	M27	12,4	41	A4 s/s
P0305.300-A4	M30	13,9	46	A4 s/s
P0305.330-A4	M33	15,4	50	A4 s/s
P0305.360-A4	M36	16,9	55	A4 s/s
P0305.420-A4	M42	19,7	65	A4 s/s
P0305.480-A4	M48	22,7	75	A4 s/s
P0305.020-ZP	M 2	0,95	4	Steel ZP
P0305.025-ZP	M2,5	1,35	5	Steel ZP
P0305.030-ZP	M 3	1,55	5,5	Steel ZP
P0305.040-ZP	M 4	1,95	7	Steel ZP
P0305.050-ZP	M 5	2,45	8	Steel ZP
P0305.060-ZP	M 6	2,9	10	Steel ZP
P0305.080-ZP	M 8	3,7	13	Steel ZP
P0305.100-ZP	M10	4,7	17	Steel ZP
P0305.120-ZP	M12	5,7	19	Steel ZP
P0305.140-ZP	M14	6,42	22	Steel ZP
P0305.160-ZP	M16	7,42	24	Steel ZP
P0305.180-ZP	M18	8,42	27	Steel ZP
P0305.200-ZP	M20	9,1	30	Steel ZP
P0305.220-ZP	M22	9,9	34	Steel ZP
P0305.240-ZP	M24	10,9	36	Steel ZP
P0305.270-ZP	M27	12,4	41	Steel ZP
P0305.300-ZP	M30	13,9	46	Steel ZP
P0305.330-ZP	M33	15,4	50	Steel ZP

Order No.	d	h	A/F	Material
<b>P0305.360-ZP</b>	M36	16,9	55	Steel ZP
<b>P0305.420-ZP</b>	M42	19,7	65	Steel ZP
<b>P0305.020-SC</b>	M 2	0,95	4	Steel SC
<b>P0305.025-SC</b>	M2,6	1,35	5	Steel SC
<b>P0305.030-SC</b>	M 3	1,55	5,5	Steel SC
<b>P0305.040-SC</b>	M 4	1,95	7	Steel SC
<b>P0305.050-SC</b>	M 5	2,45	8	Steel SC
<b>P0305.060-SC</b>	M 6	2,9	10	Steel SC
<b>P0305.080-SC</b>	M 8	3,7	13	Steel SC
<b>P0305.100-SC</b>	M10	4,7	17	Steel SC
<b>P0305.120-SC</b>	M12	5,7	19	Steel SC
<b>P0305.140-SC</b>	M14	6,42	22	Steel SC
<b>P0305.160-SC</b>	M16	7,42	24	Steel SC
<b>P0305.180-SC</b>	M18	8,42	27	Steel SC
<b>P0305.200-SC</b>	M20	9,1	30	Steel SC
<b>P0305.220-SC</b>	M22	9,9	34	Steel SC
<b>P0305.240-SC</b>	M24	10,9	36	Steel SC
<b>P0305.270-SC</b>	M27	12,4	41	Steel SC
<b>P0305.300-SC</b>	M30	13,9	46	Steel SC
<b>P0305.330-SC</b>	M33	15,4	50	Steel SC
<b>P0305.360-SC</b>	M36	16,9	55	Steel SC
<b>P0305.390-SC</b>	M39	19,5	60	Steel SC

Order No.	d	h	A/F	Material
<b>P0305.420-SC</b>	M42	21	65	Steel SC
<b>P0305.450-SC</b>	M45	22,5	70	Steel SC
<b>P0305.480-SC</b>	M48	24	75	Steel SC
<b>P0305.520-SC</b>	M52	26	80	Steel SC
<b>P0305.560-SC</b>	M56	28	85	Steel SC
<b>P0305.600-SC</b>	M60	30	90	Steel SC
<b>P0305.030-BR</b>	M 3	1,55	5,5	Brass
<b>P0305.040-BR</b>	M 4	1,95	7	Brass
<b>P0305.050-BR</b>	M 5	2,45	8	Brass
<b>P0305.060-BR</b>	M 6	2,9	10	Brass
<b>P0305.080-BR</b>	M 8	3,7	13	Brass
<b>P0305.100-BR</b>	M10	4,7	17	Brass
<b>P0305.120-BR</b>	M12	5,7	19	Brass
<b>P0305.140-BR</b>	M14	6,42	22	Brass
<b>P0305.160-BR</b>	M16	7,42	24	Brass
<b>P0305.180-BR</b>	M18	8,42	27	Brass
<b>P0305.200-BR</b>	M20	9,1	30	Brass
<b>P0305.220-BR</b>	M22	9,9	34	Brass
<b>P0305.240-BR</b>	M24	10,9	36	Brass
<b>P0305.270-BR</b>	M27	12,4	41	Brass
<b>P0305.300-BR</b>	M30	13,9	46	Brass