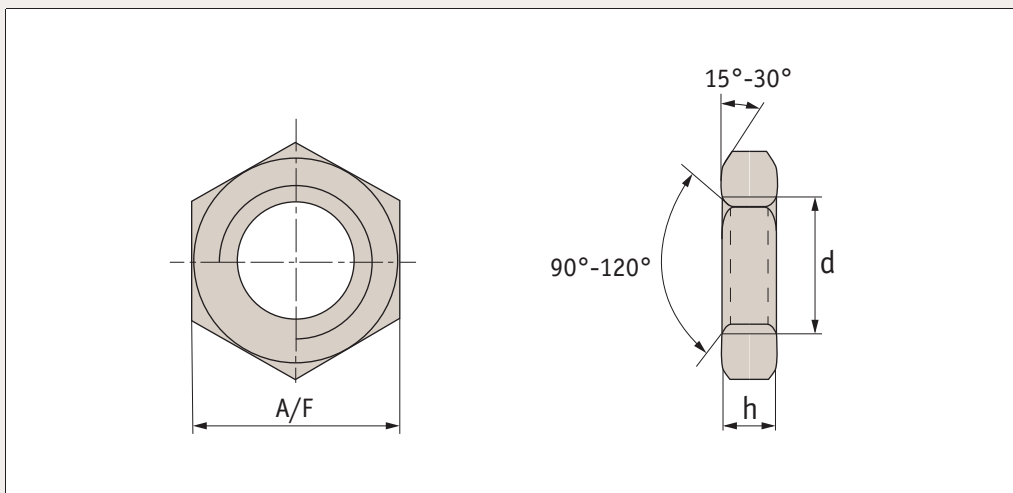




P0306



Material

Stainless steel (A2 & A4, class 70), steel class 4 (zinc-plated & self-colour), brass and nylon.

Technical Notes

To DIN 439. Fine pitch threads.
For coarse thread lock nuts see P0305.

| Order No. | d | h | A/F | Material |
|-------------------------|----------|------|-----|----------|
| P0306.080-100-A2 | M 8x1,0 | 3,7 | 13 | A2 s/s |
| P0306.100-100-A2 | M10x1,0 | 4,7 | 17 | A2 s/s |
| P0306.100-125-A2 | M10x1,25 | 4,7 | 17 | A2 s/s |
| P0306.120-125-A2 | M12x1,25 | 5,7 | 19 | A2 s/s |
| P0306.120-150-A2 | M12x1,5 | 5,7 | 19 | A2 s/s |
| P0306.140-150-A2 | M14x1,5 | 6,42 | 22 | A2 s/s |
| P0306.160-150-A2 | M16x1,5 | 7,42 | 24 | A2 s/s |
| P0306.180-150-A2 | M18x1,5 | 8,42 | 27 | A2 s/s |
| P0306.200-150-A2 | M20x1,5 | 9,1 | 30 | A2 s/s |
| P0306.220-150-A2 | M22x1,5 | 9,9 | 34 | A2 s/s |
| P0306.240-150-A2 | M24x1,5 | 10,9 | 36 | A2 s/s |
| P0306.240-200-A2 | M24x2,0 | 10,9 | 36 | A2 s/s |
| P0306.270-150-A2 | M27x1,5 | 12,4 | 41 | A2 s/s |
| P0306.270-200-A2 | M27x2,0 | 12,4 | 41 | A2 s/s |
| P0306.300-150-A2 | M30x1,5 | 13,9 | 46 | A2 s/s |
| P0306.300-200-A2 | M30x2,0 | 13,9 | 46 | A2 s/s |
| P0306.330-200-A2 | M33x2,0 | 15,4 | 49 | A2 s/s |
| P0306.360-150-A2 | M36x1,5 | 16,9 | 55 | A2 s/s |
| P0306.080-100-A4 | M 8x1,0 | 3,7 | 13 | A4 s/s |
| P0306.100-100-A4 | M10x1,0 | 4,7 | 17 | A4 s/s |
| P0306.100-125-A4 | M10x1,25 | 4,7 | 17 | A4 s/s |
| P0306.120-125-A4 | M12x1,25 | 5,7 | 19 | A4 s/s |
| P0306.120-150-A4 | M12x1,5 | 5,7 | 19 | A4 s/s |
| P0306.140-150-A4 | M14x1,5 | 6,42 | 22 | A4 s/s |
| P0306.160-150-A4 | M16x1,5 | 7,42 | 24 | A4 s/s |
| P0306.180-150-A4 | M18x1,5 | 8,42 | 27 | A4 s/s |
| P0306.200-150-A4 | M20x1,5 | 9,1 | 30 | A4 s/s |
| P0306.220-150-A4 | M22x1,5 | 9,9 | 34 | A4 s/s |
| P0306.240-150-A4 | M24x1,5 | 10,9 | 36 | A4 s/s |
| P0306.240-200-A4 | M24x2,0 | 10,9 | 36 | A4 s/s |
| P0306.270-150-A4 | M27x1,5 | 12,4 | 41 | A4 s/s |
| P0306.270-200-A4 | M27x2,0 | 12,4 | 41 | A4 s/s |
| P0306.300-150-A4 | M30x1,5 | 13,9 | 46 | A4 s/s |
| P0306.300-200-A4 | M30x2,0 | 13,9 | 46 | A4 s/s |

| Order No. | d | h | A/F | Material |
|-------------------------|----------|------|-----|----------|
| P0306.330-200-A4 | M33x2,0 | 15,4 | 49 | A4 s/s |
| P0306.360-150-A4 | M36x1,5 | 16,9 | 55 | A4 s/s |
| P0306.080-100-ZP | M 8x1,0 | 3,7 | 13 | Steel ZP |
| P0306.100-100-ZP | M10x1,0 | 4,7 | 17 | Steel ZP |
| P0306.100-125-ZP | M10x1,25 | 4,7 | 17 | Steel ZP |
| P0306.120-125-ZP | M12x1,25 | 5,7 | 19 | Steel ZP |
| P0306.120-150-ZP | M12x1,5 | 5,7 | 19 | Steel ZP |
| P0306.140-150-ZP | M14x1,5 | 6,42 | 22 | Steel ZP |
| P0306.160-150-ZP | M16x1,5 | 7,42 | 24 | Steel ZP |
| P0306.180-150-ZP | M18x1,5 | 8,42 | 27 | Steel ZP |
| P0306.200-150-ZP | M20x1,5 | 9,1 | 30 | Steel ZP |
| P0306.200-200-ZP | M20x2,0 | 9,1 | 30 | Steel ZP |
| P0306.220-150-ZP | M22x1,5 | 9,9 | 34 | Steel ZP |
| P0306.240-150-ZP | M24x1,5 | 10,9 | 36 | Steel ZP |
| P0306.240-200-ZP | M24x2,0 | 10,9 | 36 | Steel ZP |
| P0306.270-150-ZP | M27x1,5 | 12,4 | 41 | Steel ZP |
| P0306.270-200-ZP | M27x2,0 | 12,4 | 41 | Steel ZP |
| P0306.300-150-ZP | M30x1,5 | 13,9 | 46 | Steel ZP |
| P0306.300-200-ZP | M30x2,0 | 13,9 | 46 | Steel ZP |
| P0306.330-200-ZP | M33x2,0 | 15,4 | 49 | Steel ZP |
| P0306.360-150-ZP | M36x1,5 | 16,9 | 55 | Steel ZP |
| P0306.360-200-ZP | M36x2,0 | 16,9 | 55 | Steel ZP |
| P0306.360-300-ZP | M36x3,0 | 16,9 | 55 | Steel ZP |
| P0306.080-100-SC | M 8x1,0 | 3,7 | 13 | Steel SC |
| P0306.100-100-SC | M10x1,0 | 4,7 | 17 | Steel SC |
| P0306.100-125-SC | M10x1,25 | 4,7 | 17 | Steel SC |
| P0306.120-125-SC | M12x1,25 | 5,7 | 19 | Steel SC |
| P0306.120-150-SC | M12x1,5 | 5,7 | 19 | Steel SC |
| P0306.140-150-SC | M14x1,5 | 6,42 | 22 | Steel SC |
| P0306.160-150-SC | M16x1,5 | 7,42 | 24 | Steel SC |
| P0306.180-150-SC | M18x1,5 | 8,42 | 27 | Steel SC |
| P0306.200-150-SC | M20x1,5 | 9,1 | 30 | Steel SC |
| P0306.220-150-SC | M22x1,5 | 9,9 | 34 | Steel SC |



| Order No. | d | h | A/F | Material |
|-------------------------|---------|------|-----|----------|
| P0306.240-150-SC | M24x1,5 | 10,9 | 36 | Steel SC |
| P0306.240-200-SC | M24x2,0 | 10,9 | 36 | Steel SC |
| P0306.270-150-SC | M27x1,5 | 12,4 | 41 | Steel SC |
| P0306.270-200-SC | M27x2,0 | 12,4 | 41 | Steel SC |
| P0306.300-150-SC | M30x1,5 | 13,9 | 46 | Steel SC |
| P0306.300-200-SC | M30x2,0 | 13,9 | 46 | Steel SC |
| P0306.330-200-SC | M33x2,0 | 15,4 | 49 | Steel SC |
| P0306.360-150-SC | M36x1,5 | 16,9 | 55 | Steel SC |
| P0306.360-300-SC | M36x1,5 | 16,9 | 55 | Steel SC |
| P0306.390-150-SC | M39x1,5 | 19,5 | 60 | Steel SC |
| P0306.420-150-SC | M42x1,5 | 21 | 65 | Steel SC |
| P0306.450-300-SC | M45x3,0 | 22,5 | 70 | Steel SC |
| P0306.480-150-SC | M48x1,5 | 24 | 75 | Steel SC |
| P0306.520-150-SC | M52x1,5 | 26 | 80 | Steel SC |

| Order No. | d | h | A/F | Material |
|-------------------------|---------|------|-----|----------|
| P0306.560-200-SC | M56x2,0 | 28 | 85 | Steel SC |
| P0306.080-100-BR | M 8x1,0 | 3,7 | 13 | Brass |
| P0306.100-100-BR | M10x1,0 | 4,7 | 17 | Brass |
| P0306.120-150-BR | M12x1,5 | 5,7 | 19 | Brass |
| P0306.140-150-BR | M14x1,5 | 6,42 | 22 | Brass |
| P0306.160-150-BR | M16x1,5 | 7,42 | 24 | Brass |
| P0306.180-150-BR | M18x1,5 | 8,42 | 27 | Brass |
| P0306.200-150-BR | M20x1,5 | 9,1 | 30 | Brass |
| P0306.220-150-BR | M22x1,5 | 9,9 | 34 | Brass |
| P0306.240-150-BR | M24x1,5 | 10,9 | 36 | Brass |
| P0306.270-150-BR | M27x1,5 | 12,4 | 41 | Brass |
| P0306.300-150-BR | M30x1,5 | 13,9 | 46 | Brass |