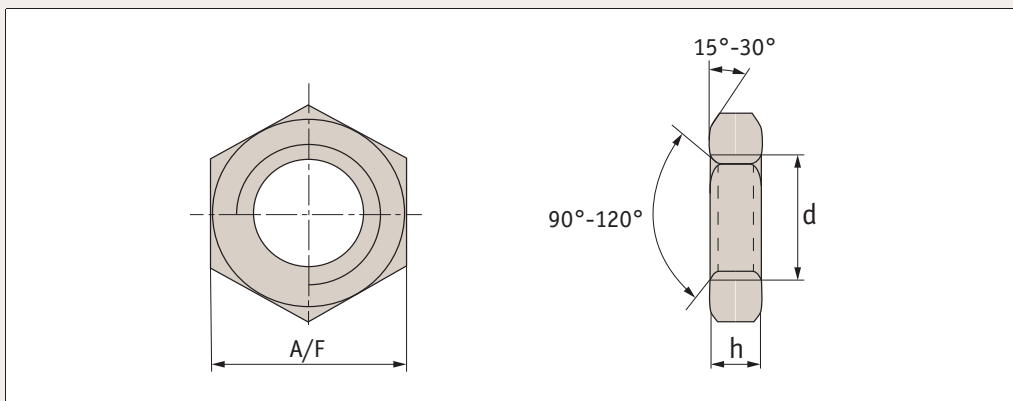




P0307



Material

Stainless steel (A2 & A4, class 70), and steel class 4 (zinc-plated & self-colour).

Technical Notes

To DIN 439. Left hand threads.
Standard threads are coarse pitch.
Fine threads are indicated by an A & B suffix.

Order No.	d	h	A/F	Material
P0307.060-A2	M 6	2,9	10	A2 s/s
P0307.080-A2	M 8	3,7	13	A2 s/s
P0307.100-A2	M10	4,7	17	A2 s/s
P0307.100-100-A2	M10x1,0	4,7	17	A2 s/s
P0307.100-125-A2	M10x1,25	4,7	17	A2 s/s
P0307.120-A2	M12	5,7	19	A2 s/s
P0307.120-100-A2	M12x1,5	5,7	19	A2 s/s
P0307.120-125-A2	M12x1,25	5,7	19	A2 s/s
P0307.120-150-A2	M12x1,5	5,7	19	A2 s/s
P0307.140-A2	M14	7	22	A2 s/s
P0307.160-A2	M16	7,42	24	A2 s/s
P0307.160-150-A2	M16x1,5	7,42	24	A2 s/s
P0307.180-A2	M18	9	27	A2 s/s
P0307.180-150-A2	M18x1,5	9	27	A2 s/s
P0307.200-A2	M20	9,1	30	A2 s/s
P0307.200-150-A2	M20x1,5	9,1	30	A2 s/s
P0307.220-A2	M22	9,1	32	A2 s/s
P0307.220-150-A2	M22x1,5	9,1	32	A2 s/s
P0307.240-A2	M24	10,9	36	A2 s/s
P0307.240-150-A2	M24x1,5	10,9	36	A2 s/s
P0307.240-200-A2	M24x2,0	10,9	36	A2 s/s
P0307.270-A2	M27	13,5	41	A2 s/s
P0307.270-150-A2	M27x1,5	13,5	41	A2 s/s
P0307.300-A2	M30	13,9	46	A2 s/s
P0307.300-150-A2	M30x1,5	13,9	46	A2 s/s
P0307.360-A2	M36	16,9	55	A2 s/s
P0307.060-A4	M 6	2,9	10	A4 s/s
P0307.080-A4	M 8	3,7	13	A4 s/s
P0307.100-A4	M10	4,7	17	A4 s/s
P0307.120-A4	M12	5,7	19	A4 s/s
P0307.160-A4	M16	7,42	24	A4 s/s
P0307.200-A4	M20	9,1	30	A4 s/s
P0307.240-A4	M24	10,9	36	A4 s/s
P0307.300-A4	M30	13,9	46	A4 s/s
P0307.360-A4	M36	16,9	55	A4 s/s

Order No.	d	h	A/F	Material
P0307.050-ZP	M 5	2,7	8	Steel ZP
P0307.060-ZP	M 6	2,9	10	Steel ZP
P0307.080-ZP	M 8	3,7	13	Steel ZP
P0307.100-ZP	M10	4,7	17	Steel ZP
P0307.100-100-ZP	M10x1,0	4,7	17	Steel ZP
P0307.100-125-ZP	M10x1,25	4,7	17	Steel ZP
P0307.120-ZP	M12	5,7	19	Steel ZP
P0307.120-100-ZP	M12x1,5	5,7	19	Steel ZP
P0307.120-125-ZP	M12x1,25	5,7	19	Steel ZP
P0307.120-150-ZP	M12x1,5	5,7	19	Steel ZP
P0307.160-ZP	M16	7,42	24	Steel ZP
P0307.160-150-ZP	M16x1,5	7,42	24	Steel ZP
P0307.180-150-ZP	M18x1,5	9	27	Steel ZP
P0307.200-ZP	M20	9,1	30	Steel ZP
P0307.200-150-ZP	M20x1,5	9,1	30	Steel ZP
P0307.220-150-ZP	M22x1,5	9,1	32	Steel ZP
P0307.240-ZP	M24	10,9	36	Steel ZP
P0307.240-150-ZP	M24x1,5	10,9	36	Steel ZP
P0307.240-200-ZP	M24x2,0	10,9	36	Steel ZP
P0307.270-ZP	M27	13,5	41	Steel ZP
P0307.270-150-ZP	M27x1,5	13,5	41	Steel ZP
P0307.300-ZP	M30	13,9	46	Steel ZP
P0307.300-150-ZP	M30x1,5	13,9	46	Steel ZP
P0307.300-200-ZP	M30x2,0	13,9	46	Steel ZP
P0307.360-150-ZP	M36x1,5	18	55	Steel ZP
P0307.360-300-ZP	M36x3,0	18	55	Steel ZP
P0307.100-100-SC	M10x1,0	4,7	17	Steel SC
P0307.120-100-SC	M12x1,5	5,7	19	Steel SC
P0307.120-150-SC	M12x1,5	5,7	19	Steel SC
P0307.160-150-SC	M16x1,5	7,42	24	Steel SC
P0307.200-150-SC	M20x1,5	9,1	30	Steel SC
P0307.220-150-SC	M22x1,5	9,1	32	Steel SC
P0307.270-150-SC	M27x1,5	13,5	41	Steel SC
P0307.300-200-SC	M30x2,0	13,9	46	Steel SC
P0307.300-200-SC	M30x2,0	13,9	46	Steel SC