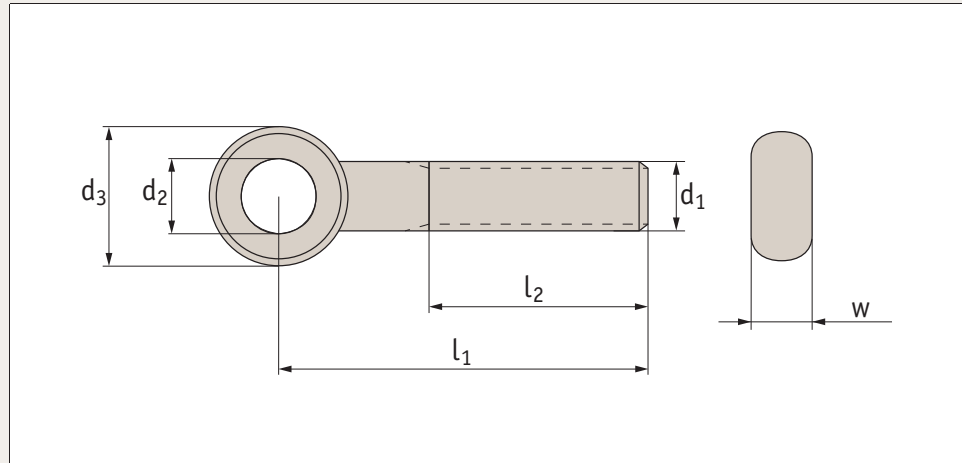




**P0070.A4**



### Material

Stainless steel (A4, AISI 316).

### Technical Notes

To DIN 444 B.

Order no.	d <sub>1</sub> H <sub>9</sub>	l <sub>1</sub>	l <sub>2</sub>	w <sub>max.</sub>	d <sub>2</sub> H <sub>7</sub>	d <sub>3</sub>
<b>P0070.060-030-A4</b>	M 6	30	18	7	6	14
<b>P0070.060-040-A4</b>	M 6	40	18	7	6	14
<b>P0070.060-050-A4</b>	M 6	50	18	7	6	14
<b>P0070.060-060-A4</b>	M 6	60	18	7	6	14
<b>P0070.080-030-A4</b>	M 8	30	22	9	8	18
<b>P0070.080-040-A4</b>	M 8	40	22	9	8	18
<b>P0070.080-050-A4</b>	M 8	50	22	9	8	18
<b>P0070.080-060-A4</b>	M 8	60	22	9	8	18
<b>P0070.080-070-A4</b>	M 8	70	22	9	8	18
<b>P0070.080-080-A4</b>	M 8	80	22	9	8	18
<b>P0070.080-090-A4</b>	M 8	90	22	9	8	18
<b>P0070.080-100-A4</b>	M 8	100	22	9	8	18
<b>P0070.100-040-A4</b>	M10	40	26	12	10	20
<b>P0070.100-050-A4</b>	M10	50	26	12	10	20
<b>P0070.100-060-A4</b>	M10	60	26	12	10	20
<b>P0070.100-070-A4</b>	M10	70	26	12	10	20
<b>P0070.100-080-A4</b>	M10	80	26	12	10	20
<b>P0070.100-090-A4</b>	M10	90	26	12	10	20
<b>P0070.100-100-A4</b>	M10	100	26	12	10	20
<b>P0070.120-040-A4</b>	M12	40	30	14	12	25
<b>P0070.120-050-A4</b>	M12	50	30	14	12	25
<b>P0070.120-060-A4</b>	M12	60	30	14	12	25

Order no.	d <sub>1</sub> H <sub>9</sub>	l <sub>1</sub>	l <sub>2</sub>	w <sub>max.</sub>	d <sub>2</sub> H <sub>7</sub>	d <sub>3</sub>
<b>P0070.120-070-A4</b>	M12	70	30	14	12	25
<b>P0070.120-080-A4</b>	M12	80	30	14	12	25
<b>P0070.120-090-A4</b>	M12	90	30	14	12	25
<b>P0070.120-100-A4</b>	M12	100	30	14	12	25
<b>P0070.120-120-A4</b>	M12	120	30	14	12	25
<b>P0070.120-130-A4</b>	M12	130	30	14	12	25
<b>P0070.120-150-A4</b>	M12	150	30	14	12	25
<b>P0070.160-070-A4</b>	M16	70	38	17	16	32
<b>P0070.160-080-A4</b>	M16	80	38	17	16	32
<b>P0070.160-090-A4</b>	M16	90	38	17	16	32
<b>P0070.160-100-A4</b>	M16	100	38	17	16	32
<b>P0070.160-120-A4</b>	M16	120	38	17	16	32
<b>P0070.160-130-A4</b>	M16	130	38	17	16	32
<b>P0070.200-080-A4</b>	M20	80	46	22	18	40
<b>P0070.200-090-A4</b>	M20	90	46	22	18	40
<b>P0070.200-100-A4</b>	M20	100	46	22	18	40
<b>P0070.200-120-A4</b>	M20	120	46	22	18	40
<b>P0070.240-100-A4</b>	M24	100	54	25	22	45
<b>P0070.240-120-A4</b>	M24	120	54	25	22	45
<b>P0070.240-140-A4</b>	M24	140	54	25	22	45