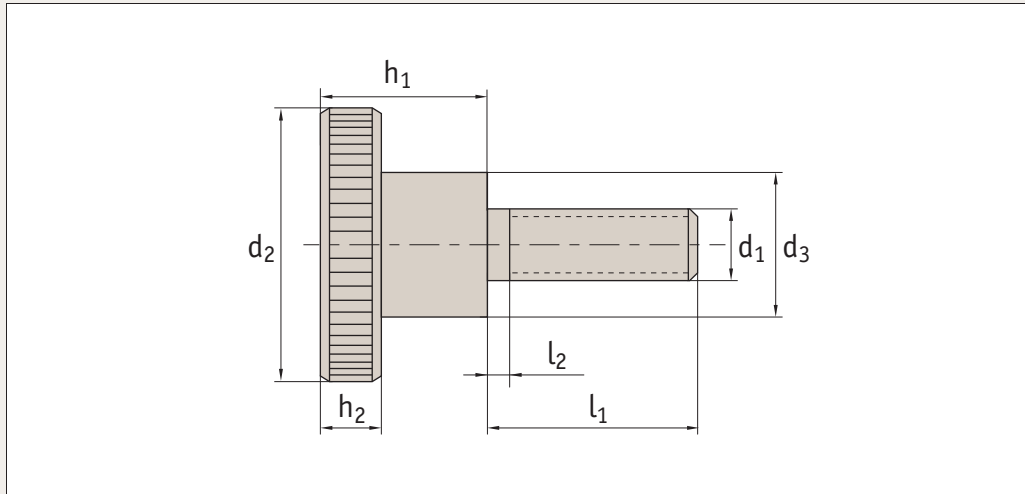




P0400.A2



Material

Stainless steel (A2, AISI 303).

Technical Notes

To DIN 464. All knurled screws are one-piece manufactured. Contrary to the official standard sheet, they all have a

thread up to the head, as shown, but no recess at the thread end.

Tips

A2 (AISI 303) stainless steel is typically used in food, pharmaceutical and similar applications requiring a degree of corrosion protection.

Order No.	d ₁	l ₁	d ₂	d ₃	h ₁	h ₂	l ₂
P0400.030-006-A2	M 3	6	12	6	7,5	2,5	2
P0400.030-008-A2	M 3	8	12	6	7,5	2,5	2
P0400.030-010-A2	M 3	10	12	6	7,5	2,5	2
P0400.030-012-A2	M 3	12	12	6	7,5	2,5	2
P0400.030-016-A2	M 3	16	12	6	7,5	2,5	2
P0400.040-008-A2	M 4	8	16	8	9,5	3,5	2
P0400.040-010-A2	M 4	10	16	8	9,5	3,5	2
P0400.040-012-A2	M 4	12	16	8	9,5	3,5	2
P0400.040-016-A2	M 4	16	16	8	9,5	3,5	2
P0400.040-020-A2	M 4	20	16	8	9,5	3,5	2
P0400.040-025-A2	M 4	25	16	8	9,5	3,5	2
P0400.050-010-A2	M 5	10	20	10	11,5	4,0	2
P0400.050-012-A2	M 5	12	20	10	11,5	4,0	2
P0400.050-016-A2	M 5	16	20	10	11,5	4,0	2
P0400.050-020-A2	M 5	20	20	10	11,5	4,0	2
P0400.050-025-A2	M 5	25	20	10	11,5	4,0	2
P0400.050-030-A2	M 5	30	20	10	11,5	4,0	2
P0400.050-040-A2	M 5	40	20	10	11,5	4,0	2
P0400.060-012-A2	M 6	12	24	12	15,0	5,0	2

Order No.	d ₁	l ₁	d ₂	d ₃	h ₁	h ₂	l ₂
P0400.060-016-A2	M 6	16	24	12	15,0	5,0	2
P0400.060-020-A2	M 6	20	24	12	15,0	5,0	2
P0400.060-025-A2	M 6	25	24	12	15,0	5,0	2
P0400.060-030-A2	M 6	30	24	12	15,0	5,0	2
P0400.060-035-A2	M 6	35	24	12	15,0	5,0	2
P0400.060-040-A2	M 6	40	24	12	15,0	5,0	2
P0400.080-016-A2	M 8	12	30	16	18,0	6,0	2
P0400.080-016-A2	M 8	16	30	16	18,0	6,0	2
P0400.080-020-A2	M 8	20	30	16	18,0	6,0	2
P0400.080-025-A2	M 8	25	30	16	18,0	6,0	2
P0400.080-030-A2	M 8	30	30	16	18,0	6,0	2
P0400.080-035-A2	M 8	35	30	16	18,0	6,0	2
P0400.080-040-A2	M 8	40	30	16	18,0	6,0	2
P0400.100-016-A2	M10	16	36	20	23,0	8,0	2
P0400.100-020-A2	M10	20	36	20	23,0	8,0	2
P0400.100-025-A2	M10	25	36	20	23,0	8,0	2
P0400.100-030-A2	M10	30	36	20	23,0	8,0	2
P0400.100-040-A2	M10	40	36	20	23,0	8,0	2
P0400.100-050-A2	M10	50	36	20	23,0	8,0	2