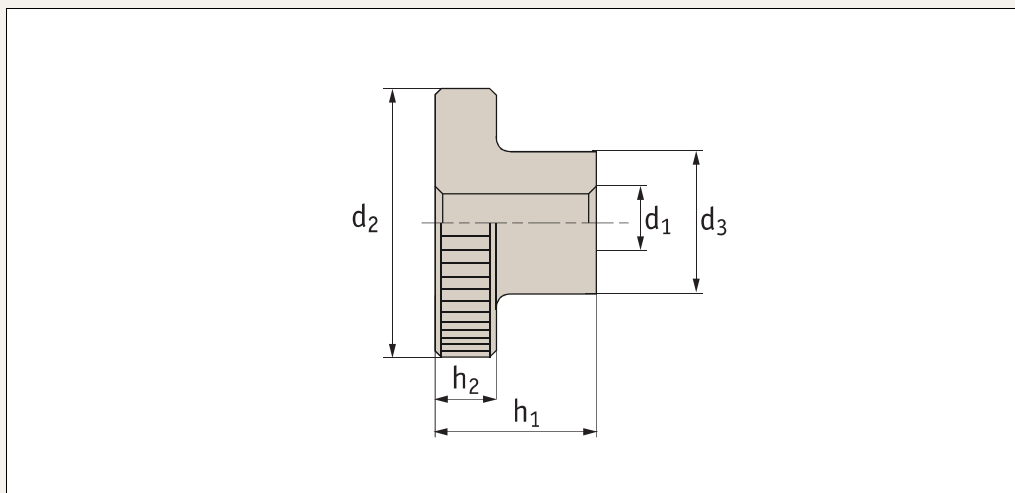


Knurled Thumb Nuts with collar

P0 Fasteners



P0403.A2

Material

Stainless steel (A2, AISI 303).

Technical Notes

To DIN 466. Size M12 not contained in DIN standard.

Order No.	Material	d ₁	d ₂	d ₃	h ₁	h ₂	$\frac{\Delta}{g}$ g
P0403.020-A2	Stainless	M 2	9	4,5	5,3	2	3
P0403.025-A2	Stainless	M 2,5	11	5	6,5	2,5	4
P0403.030-A2	Stainless	M 3	12	6	7,5	2,5	5
P0403.040-A2	Stainless	M 4	16	8	9,5	3,5	7
P0403.050-A2	Stainless	M 5	20	10	11,5	4	13
P0403.060-A2	Stainless	M 6	24	12	15	5	24
P0403.080-A2	Stainless	M 8	30	16	18	6	46
P0403.100-A2	Stainless	M10	2036	20	23	8	62