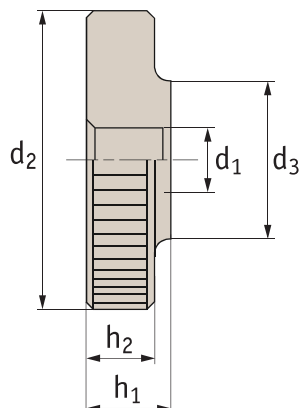


# Flat Knurled Thumb Nuts

A2 stainless

P0 Fasteners



**P0406.A2**

## Material

Stainless steel (A2, AISI 303).

## Technical Notes

To DIN 467. Size M12 not contained in DIN standard.

Order No.	Material	$d_1$	$d_2$	$d_3$	$h_1$	$h_2$	$\frac{\Delta}{g}$
P0406.020-A2	Stainless	M 2	9,0	4,5	2,5	2,0	-
P0406.025-A2	Stainless	M 2,5	11,0	5,0	3,0	2,5	-
P0406.030-A2	Stainless	M 3	12,0	6,0	3,0	2,5	2,0
P0406.040-A2	Stainless	M 4	16,0	8,0	4,0	3,5	5,0
P0406.050-A2	Stainless	M 5	20,0	10,0	5,0	4,0	10,0
P0406.060-A2	Stainless	M 6	24,0	12,0	6,0	5,0	17,0
P0406.080-A2	Stainless	M 8	30,0	16,0	8,0	6,0	33,0
P0406.100-A2	Stainless	M10	36,0	20,0	10,0	8,0	63,0