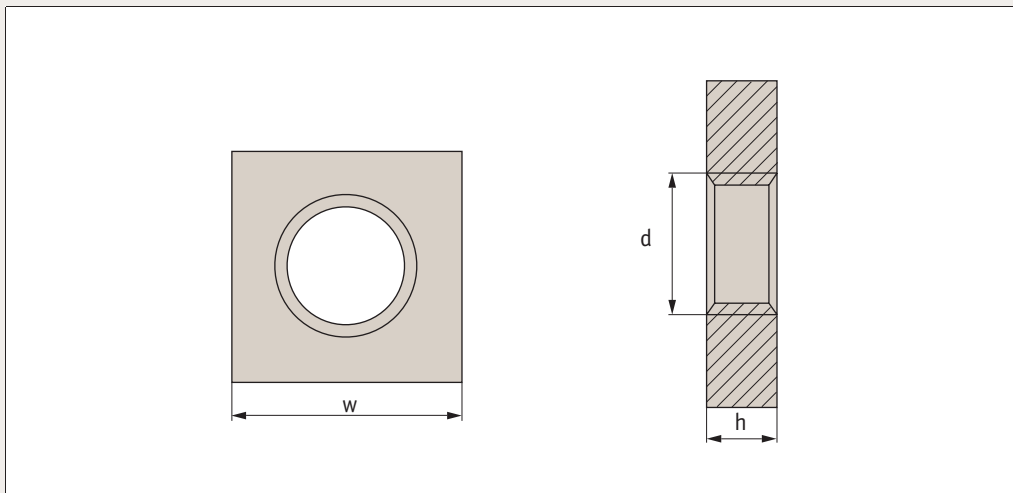




P0323



Material

Stainless steel (A2 & A4), and steel, zinc-plated (class 4).

Technical Notes

To DIN 562. Standard metric coarse threads.

Order No.	d	w	h _{min.}	Material
P0323.016-A2	M1,6	3,2	1,0	A2 s/s
P0323.020-A2	M 2	4	1,2	A2 s/s
P0323.025-A2	M2,5	5	1,6	A2 s/s
P0323.030-A2	M 3	5,5	1,8	A2 s/s
P0323.040-A2	M 4	7	2,2	A2 s/s
P0323.050-A2	M 5	8	2,7	A2 s/s
P0323.060-A2	M 6	10	3,2	A2 s/s
P0323.080-A2	M 8	13	4,0	A2 s/s
P0323.100-A2	M10	16	5,0	A2 s/s
P0323.016-A4	M1,6	3,2	1,0	A4 s/s
P0323.020-A4	M 2	4	1,2	A4 s/s
P0323.025-A4	M2,5	5	1,6	A4 s/s
P0323.030-A4	M 3	5,5	1,8	A4 s/s

Order No.	d	w	h _{min.}	Material
P0323.040-A4	M 4	7	2,2	A4 s/s
P0323.050-A4	M 5	8	2,7	A4 s/s
P0323.060-A4	M 6	10	3,2	A4 s/s
P0323.080-A4	M 8	13	4,0	A4 s/s
P0323.100-A4	M10	16	5,0	A4 s/s
P0323.030-ZP	M 3	5,5	1,8	Steel ZP
P0323.040-ZP	M 4	7	2,2	Steel ZP
P0323.050-ZP	M 5	8	2,7	Steel ZP
P0323.060-ZP	M 6	10	3,2	Steel ZP
P0323.080-ZP	M 8	13	4,0	Steel ZP
P0323.100-ZP	M10	16	5,0	Steel ZP