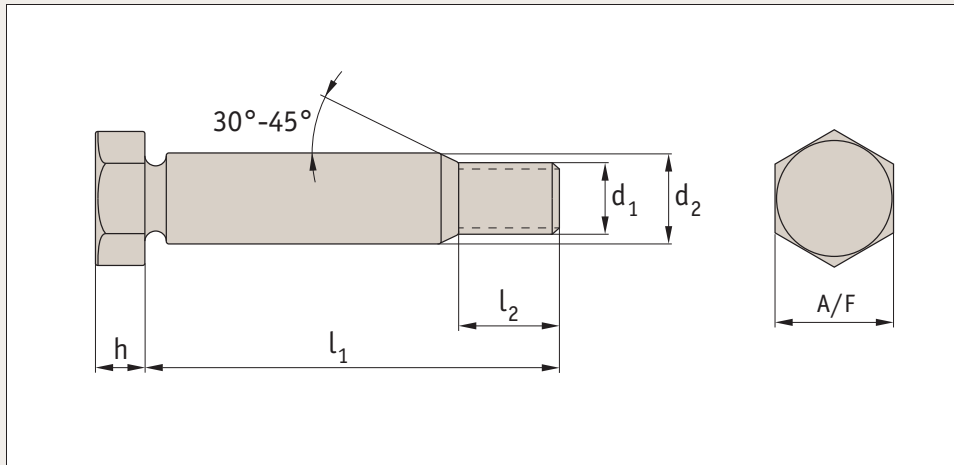


Steel Shoulder Bolts - Hex. Head

standard thread, grade 8.8

Shoulder Screws



P0138.SC

Material

Black alloy steel, strength 8.8. Hardness 38 HRC, tensile strength 830 N/mm².

Technical Notes

To DIN 609. Longer thread than P0140 (DIN 610). For strength 10.9 see part P0139.

Tips

Do not tighten to standard strength class 8,8 torque; as the tightening torque is limited, by the presence of the reduced diameter undercut under the head and at the shoulder/thread area. Drill hole to H7 tolerance.

Order No.	d ₁	d _{2 k6}	l ₁	l ₂	h	A/F
P0138.080-025-SC	M 8	9	25	14,5	5,3	13
P0138.080-024-SC	M 8	9	24	14,5	5,3	13
P0138.080-032-SC	M 8	9	32	14,5	5,3	13
P0138.080-035-SC	M 8	9	35	14,5	5,3	13
P0138.080-038-SC	M 8	9	38	14,5	5,3	13
P0138.080-040-SC	M 8	9	40	14,5	5,3	13
P0138.080-042-SC	M 8	9	42	14,5	5,3	13
P0138.080-045-SC	M 8	9	45	14,5	5,3	13
P0138.080-048-SC	M 8	9	48	14,5	5,3	13
P0138.080-050-SC	M 8	9	50	14,5	5,3	13
P0138.080-055-SC	M 8	9	55	16,5	5,3	13
P0138.080-060-SC	M 8	9	60	16,5	5,3	13
P0138.080-065-SC	M 8	9	65	16,5	5,3	13
P0138.080-070-SC	M 8	9	70	16,5	5,3	13
P0138.080-080-SC	M 8	9	80	16,5	5,3	13
P0138.100-030-SC	M10	11	30	17,5	6,4	17
P0138.100-032-SC	M10	11	32	17,5	6,4	17
P0138.100-035-SC	M10	11	35	17,5	6,4	17
P0138.100-038-SC	M10	11	38	17,5	6,4	17
P0138.100-040-SC	M10	11	40	17,5	6,4	17
P0138.100-042-SC	M10	11	42	17,5	6,4	17
P0138.100-045-SC	M10	11	45	17,5	6,4	17
P0138.100-048-SC	M10	11	48	17,5	6,4	17
P0138.100-050-SC	M10	11	50	17,5	6,4	17
P0138.100-055-SC	M10	11	55	19,5	6,4	17
P0138.100-060-SC	M10	11	60	19,5	6,4	17
P0138.100-065-SC	M10	11	65	19,5	6,4	17
P0138.100-070-SC	M10	11	70	19,5	6,4	17
P0138.100-075-SC	M10	11	75	19,5	6,4	17
P0138.100-080-SC	M10	11	80	19,5	6,4	17
P0138.100-085-SC	M10	11	85	19,5	6,4	17

Order No.	d ₁	d _{2 k6}	l ₁	l ₂	h	A/F
P0138.100-090-SC	M10	11	90	19,5	6,4	17
P0138.100-100-SC	M10	11	100	19,5	6,4	17
P0138.100-110-SC	M10	11	110	19,5	6,4	17
P0138.100-120-SC	M10	11	120	19,5	6,4	17
P0138.120-030-SC	M12	13	30	20,5	7,5	19
P0138.120-032-SC	M12	13	32	20,5	7,5	19
P0138.120-035-SC	M12	13	35	20,5	7,5	19
P0138.120-038-SC	M12	13	38	20,5	7,5	19
P0138.120-040-SC	M12	13	40	20,5	7,5	19
P0138.120-042-SC	M12	13	42	20,5	7,5	19
P0138.120-045-SC	M12	13	45	20,5	7,5	19
P0138.120-048-SC	M12	13	48	20,5	7,5	19
P0138.120-050-SC	M12	13	50	20,5	7,5	19
P0138.120-055-SC	M12	13	55	22,5	7,5	19
P0138.120-060-SC	M12	13	60	22,5	7,5	19
P0138.120-065-SC	M12	13	65	22,5	7,5	19
P0138.120-070-SC	M12	13	70	22,5	7,5	19
P0138.120-075-SC	M12	13	75	22,5	7,5	19
P0138.120-080-SC	M12	13	80	22,5	7,5	19
P0138.120-085-SC	M12	13	85	22,5	7,5	19
P0138.120-090-SC	M12	13	90	22,5	7,5	19
P0138.120-095-SC	M12	13	95	22,5	7,5	19
P0138.120-100-SC	M12	13	100	22,5	7,5	19
P0138.140-032-SC	M14	15	32	22,0	8,8	22
P0138.140-035-SC	M14	15	35	22,0	8,8	22
P0138.140-040-SC	M14	15	40	22,0	8,8	22
P0138.140-042-SC	M14	15	42	22,0	8,8	22
P0138.140-045-SC	M14	15	45	22,0	8,8	22
P0138.140-050-SC	M14	15	50	22,0	8,8	22
P0138.140-055-SC	M14	15	55	24,0	8,8	22

Order No.	d ₁	d _{2 k6}	l ₁	l ₂	h	A/F
P0138.140-060-SC	M14	15	60	24,0	8,8	22
P0138.140-065-SC	M14	15	65	24,0	8,8	22
P0138.140-070-SC	M14	15	70	24,0	8,8	22
P0138.140-075-SC	M14	15	75	24,0	8,8	22
P0138.140-080-SC	M14	15	80	24,0	8,8	22
P0138.140-090-SC	M14	15	90	24,0	8,8	22
P0138.160-040-SC	M16	17	40	25,0	10	24
P0138.160-042-SC	M16	17	42	25,0	10	24
P0138.160-045-SC	M16	17	45	25,0	10	24
P0138.160-048-SC	M16	17	48	25,0	10	24
P0138.160-050-SC	M16	17	50	25,0	10	24
P0138.160-055-SC	M16	17	55	27,0	10	24
P0138.160-060-SC	M16	17	60	27,0	10	24
P0138.160-065-SC	M16	17	65	27,0	10	24
P0138.160-070-SC	M16	17	70	27,0	10	24
P0138.160-075-SC	M16	17	75	27,0	10	24
P0138.160-080-SC	M16	17	80	27,0	10	24
P0138.160-085-SC	M16	17	85	27,0	10	24
P0138.160-090-SC	M16	17	90	27,0	10	24
P0138.160-100-SC	M16	17	100	27,0	10	24
P0138.160-105-SC	M16	17	105	27,0	10	24
P0138.160-110-SC	M16	17	110	27,0	10	24
P0138.160-115-SC	M16	17	115	27,0	10	24
P0138.160-120-SC	M16	17	120	27,0	10	24
P0138.160-125-SC	M16	17	125	27,0	10	24
P0138.160-130-SC	M16	17	130	27,0	10	24
P0138.160-135-SC	M16	17	135	27,0	10	24
P0138.160-140-SC	M16	17	140	27,0	10	24
P0138.160-150-SC	M16	17	150	27,0	10	24
P0138.160-160-SC	M16	17	160	27,0	10	24
P0138.160-180-SC	M16	17	180	27,0	10	24
P0138.160-200-SC	M16	17	200	27,0	10	24
P0138.180-045-SC	M18	19	45	27,5	11,5	27
P0138.180-050-SC	M18	19	50	27,5	11,5	27
P0138.180-055-SC	M18	19	55	29,5	11,5	27
P0138.180-060-SC	M18	19	60	29,5	11,5	27
P1038.180-065-SC	M18	19	65	29,5	11,5	27
P0138.180-070-SC	M18	19	70	29,5	11,5	27
P0138.180-075-SC	M18	19	75	29,5	11,5	27
P0138.180-080-SC	M18	19	80	29,5	11,5	27
P0138.180-085-SC	M18	19	85	29,5	11,5	27
P0138.180-090-SC	M18	19	90	29,5	11,5	27
P0138.180-100-SC	M18	19	100	29,5	11,5	27
P0138.180-110-SC	M18	19	110	29,5	11,5	27
P0138.180-120-SC	M18	19	120	29,5	11,5	27
P0138.200-045-SC	M20	21	45	28,5	12,5	30
P0138.200-050-SC	M20	21	50	28,5	12,5	30
P0138.200-055-SC	M20	21	55	30,5	12,5	30
P0138.200-060-SC	M20	21	60	30,5	12,5	30
P0138.200-065-SC	M20	21	65	30,5	12,5	30
P0138.200-070-SC	M20	21	70	30,5	12,5	30
P0138.200-075-SC	M20	21	75	30,5	12,5	30
P0138.200-080-SC	M20	21	80	30,5	12,5	30
P0138.200-085-SC	M20	21	85	30,5	12,5	30
P0138.200-090-SC	M20	21	90	30,5	12,5	30
P0138.200-100-SC	M20	21	100	30,5	12,5	30
P0138.200-105-SC	M20	21	105	30,5	12,5	30
P0138.200-110-SC	M20	21	110	30,5	12,5	30
P0138.200-115-SC	M20	21	115	30,5	12,5	30

Order No.	d ₁	d _{2 k6}	l ₁	l ₂	h	A/F
P0138.200-120-SC	M20	21	120	30,5	12,5	30
P0138.200-125-SC	M20	21	125	30,5	12,5	30
P0138.200-130-SC	M20	21	130	30,5	12,5	30
P0138.200-135-SC	M20	21	135	30,5	12,5	30
P0138.200-140-SC	M20	21	140	30,5	12,5	30
P0138.200-145-SC	M20	21	145	30,5	12,5	30
P0138.200-150-SC	M20	21	150	30,5	12,5	30
P0138.200-160-SC	M20	21	160	35,5	12,5	30
P0138.200-170-SC	M20	21	170	35,5	12,5	30
P0138.200-180-SC	M20	21	180	35,5	12,5	30
P0138.200-190-SC	M20	21	190	35,5	12,5	30
P0138.200-200-SC	M20	21	200	35,5	12,5	30
P0138.200-220-SC	M20	21	220	35,5	12,5	30
P0138.200-240-SC	M20	21	240	35,5	12,5	30
P0138.201-045-SC	M20x2	21	45	28,5	12,5	30
P0138.201-050-SC	M20x2	21	50	28,5	12,5	30
P0138.201-055-SC	M20x2	21	55	30,5	12,5	30
P0138.201-060-SC	M20x2	21	60	30,5	12,5	30
P0138.201-065-SC	M20x2	21	65	30,5	12,5	30
P0138.201-070-SC	M20x2	21	70	30,5	12,5	30
P0138.201-075-SC	M20x2	21	75	30,5	12,5	30
P0138.201-080-SC	M20x2	21	80	30,5	12,5	30
P0138.201-085-SC	M20x2	21	85	30,5	12,5	30
P0138.201-090-SC	M20x2	21	90	30,5	12,5	30
P0138.201-095-SC	M20x2	21	95	30,5	12,5	30
P0138.201-100-SC	M20x2	21	100	30,5	12,5	30
P0138.201-105-SC	M20x2	21	105	30,5	12,5	30
P0138.201-110-SC	M20x2	21	110	30,5	12,5	30
P0138.201-120-SC	M20x2	21	120	30,5	12,5	30
P0138.201-130-SC	M20x2	21	130	30,5	12,5	30
P0138.201-135-SC	M20x2	21	135	30,5	12,5	30
P0138.201-140-SC	M20x2	21	140	30,5	12,5	30
P0138.201-145-SC	M20x2	21	145	30,5	12,5	30
P0138.201-160-SC	M20x2	21	160	35,5	12,5	30
P0138.201-180-SC	M20x2	21	180	35,5	12,5	30
P0138.220-045-SC	M22	23	45	32,5	14,0	34
P0138.220-050-SC	M22	23	50	32,5	14,0	34
P0138.220-055-SC	M22	23	55	34,5	14,0	34
P0138.220-060-SC	M22	23	60	34,5	14,0	34
P0138.220-065-SC	M22	23	65	34,5	14,0	34
P0138.220-070-SC	M22	23	70	34,5	14,0	34
P0138.220-075-SC	M22	23	75	34,5	14,0	34
P0138.220-080-SC	M22	23	80	34,5	14,0	34
P0138.220-085-SC	M22	23	85	34,5	14,0	34
P0138.220-090-SC	M22	23	90	34,5	14,0	34
P0138.220-100-SC	M22	23	100	34,5	14,0	34
P0138.220-105-SC	M22	23	105	34,5	14,0	34
P0138.220-110-SC	M22	23	110	34,5	14,0	34
P0138.220-120-SC	M22	23	120	34,5	14,0	34
P0138.220-130-SC	M22	23	130	34,5	14,0	34
P0138.220-140-SC	M22	23	140	34,5	14,0	34
P0138.220-150-SC	M22	23	150	34,5	14,0	34
P0138.220-180-SC	M22	23	180	39,5	14,0	34
P0138.240-055-SC	M24	25	55	36,5	15,0	36
P0138.240-060-SC	M24	25	60	36,5	15,0	36
P0138.240-065-SC	M24	25	65	36,5	15,0	36
P0138.240-070-SC	M24	25	70	36,5	15,0	36
P0138.240-075-SC	M24	25	75	36,5	15,0	36
P0138.240-080-SC	M24	25	80	36,5	15,0	36

Order No.	d ₁	d _{2 k6}	l ₁	l ₂	h	A/F
P0138.360-200-SC	M36	38	200	54,0	22,0	55
P0138.390-160-SC	M39	40	160	56,0	25,0	60
P0138.390-320-SC	M39	40	320	56,0	25,0	60
P0138.420-100-SC	M42	44	100	56,0	26,0	65
P0138.420-110-SC	M42	44	110	56,0	26,0	65
P0138.420-120-SC	M42	44	120	56,0	26,0	65
P0138.420-130-SC	M42	44	130	56,0	26,0	65
P0138.420-140-SC	M42	44	140	56,0	26,0	65

Order No.	d ₁	d _{2 k6}	l ₁	l ₂	h	A/F
P0138.420-150-SC	M42	44	150	56,0	26,0	65
P0138.420-160-SC	M42	44	160	61,0	26,0	65
P0138.420-170-SC	M42	44	170	61,0	26,0	65
P0138.420-180-SC	M42	44	180	61,0	26,0	65
P0138.420-190-SC	M42	44	190	61,0	26,0	65
P0138.420-200-SC	M42	44	200	61,0	26,0	65
P0138.420-240-SC	M42	44	240	61,0	26,0	65
P0138.420-240-SC	M42	44	240	61,0	26,0	65
P0138.420-370-SC	M42	44	370	61,0	26,0	65