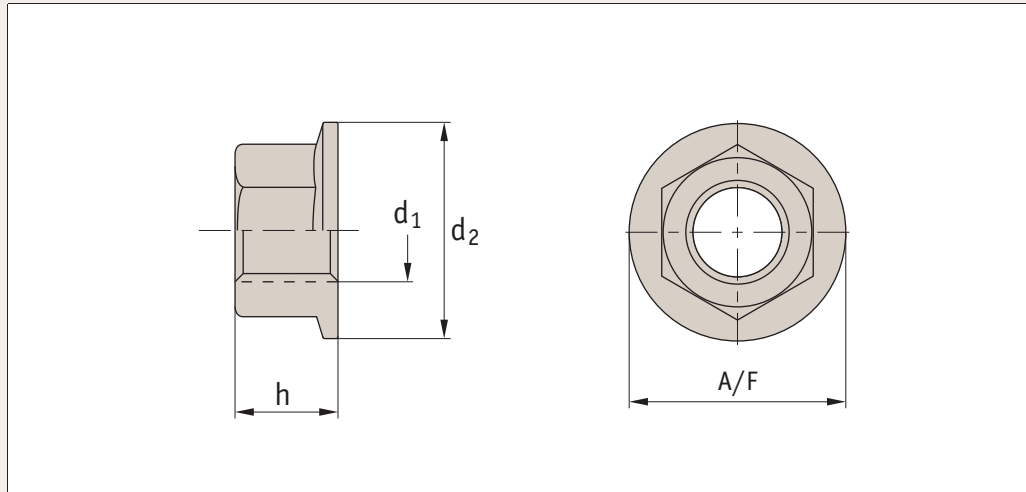




P0311



Material

Stainless steel (A2), and steel, zinc-plated (class 8).

Technical Notes

To DIN 6923.

Order No.	d ₁	d _{2 max.}	h _{max.}	A/F	Material
P0311.040-A2	M 4	10,0	4,5	7	A2 s/s
P0311.050-A2	M 5	11,8	5,0	8	A2 s/s
P0311.060-A2	M 6	14,2	6,0	10	A2 s/s
P0311.080-A2	M 8	17,9	8,0	13	A2 s/s
P0311.100-A2	M10	21,8	10,0	15	A2 s/s
P0311.120-A2	M12	26,0	12,0	18	A2 s/s
P0311.140-A2	M14	30,0	14,0	21	A2 s/s
P0311.160-A2	M16	34,5	16,0	24	A2 s/s
P0311.200-A2	M20	43,0	20,0	30	A2 s/s
P0311.240-A2	M24	51,0	24,0	36	A2 s/s

Order No.	d ₁	d _{2 max.}	h _{max.}	A/F	Material
P0311.040-ZP	M 4	10,0	4,5	7	Steel ZP
P0311.050-ZP	M 5	11,8	5,0	8	Steel ZP
P0311.060-ZP	M 6	14,2	6,0	10	Steel ZP
P0311.080-ZP	M 8	17,9	8,0	13	Steel ZP
P0311.100-ZP	M10	21,8	10,0	15	Steel ZP
P0311.120-ZP	M12	26,0	12,0	18	Steel ZP
P0311.140-ZP	M14	30,0	14,0	21	Steel ZP
P0311.160-ZP	M16	34,5	16,0	24	Steel ZP
P0311.200-ZP	M20	43,0	20,0	30	Steel ZP
P0311.240-ZP	M24	51,0	24,0	36	Steel ZP