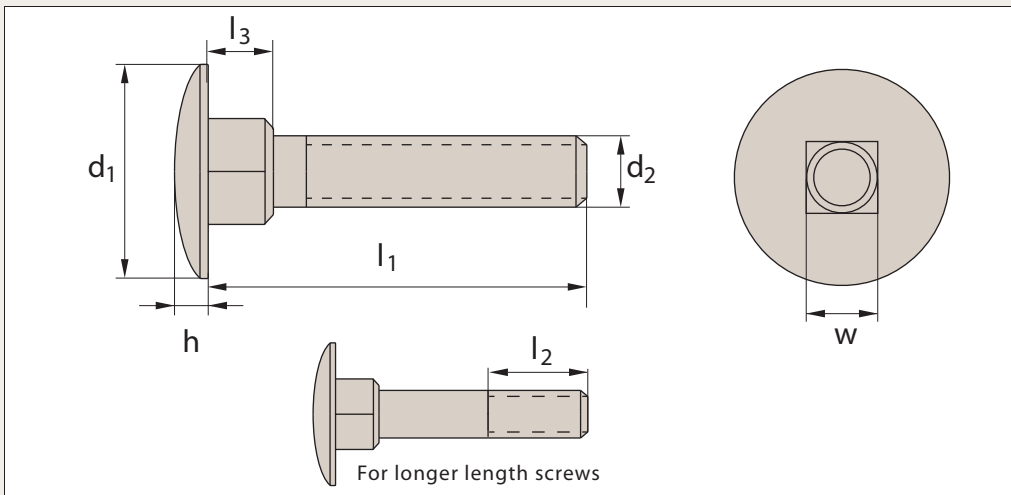


# Carriage Bolts - Partial Thread

steel, zinc-plated

Hexagonal  
Head Screws



**P0265.ZP**

## Material

Steel, zinc-plated (grade 8.8).

## Technical Notes

To DIN 603.

Order No.	d <sub>1</sub>	l <sub>1</sub>	h	d <sub>2</sub>	l <sub>2</sub>	w
<b>P0265.050-016-ZP</b>	M5	16	2,7	12,45	16	4,52
<b>P0265.050-020-ZP</b>	M5	20	2,7	12,45	16	4,52
<b>P0265.050-025-ZP</b>	M5	25	2,7	12,45	16	4,52
<b>P0265.050-030-ZP</b>	M5	30	2,7	12,45	16	4,52
<b>P0265.050-035-ZP</b>	M5	35	2,7	12,45	16	4,52
<b>P0265.050-040-ZP</b>	M5	40	2,7	12,45	16	4,52
<b>P0265.050-045-ZP</b>	M5	45	2,7	12,45	16	4,52
<b>P0265.050-050-ZP</b>	M5	50	2,7	12,45	16	4,52
<b>P0265.050-055-ZP</b>	M5	55	2,7	12,45	16	4,52
<b>P0265.050-060-ZP</b>	M5	60	2,7	12,45	16	4,52
<b>P0265.050-065-ZP</b>	M5	65	2,7	12,45	16	4,52
<b>P0265.050-070-ZP</b>	M5	70	2,7	12,45	16	4,52
<b>P0265.050-075-ZP</b>	M5	75	2,7	12,45	16	4,52
<b>P0265.050-080-ZP</b>	M5	80	2,7	12,45	16	4,52
<b>P0265.060-012-ZP</b>	M6	12	3,12	15,45	18	5,52
<b>P0265.060-016-ZP</b>	M6	16	3,12	15,45	18	5,52
<b>P0265.060-020-ZP</b>	M6	20	3,12	15,45	18	5,52
<b>P0265.060-025-ZP</b>	M6	25	3,12	15,45	18	5,52
<b>P0265.060-030-ZP</b>	M6	30	3,12	15,45	18	5,52
<b>P0265.060-035-ZP</b>	M6	35	3,12	15,45	18	5,52
<b>P0265.060-040-ZP</b>	M6	40	3,12	15,45	18	5,52
<b>P0265.060-045-ZP</b>	M6	45	3,12	15,45	18	5,52
<b>P0265.060-050-ZP</b>	M6	50	3,12	15,45	18	5,52
<b>P0265.060-055-ZP</b>	M6	55	3,12	15,45	18	5,52
<b>P0265.060-060-ZP</b>	M6	60	3,12	15,45	18	5,52
<b>P0265.060-065-ZP</b>	M6	65	3,12	15,45	18	5,52
<b>P0265.060-070-ZP</b>	M6	70	3,12	15,45	18	5,52
<b>P0265.060-075-ZP</b>	M6	75	3,12	15,45	18	5,52
<b>P0265.060-080-ZP</b>	M6	80	3,12	15,45	18	5,52
<b>P0265.060-090-ZP</b>	M6	90	3,12	15,45	18	5,52
<b>P0265.060-100-ZP</b>	M6	100	3,12	15,45	18	5,52
<b>P0265.060-110-ZP</b>	M6	110	3,12	15,45	18	5,52
<b>P0265.060-120-ZP</b>	M6	120	3,12	15,45	18	5,52
<b>P0265.060-130-ZP</b>	M6	130	3,12	15,45	24	5,52
<b>P0265.060-140-ZP</b>	M6	140	3,12	15,45	24	5,52

Order No.	d <sub>1</sub>	l <sub>1</sub>	h	d <sub>2</sub>	l <sub>2</sub>	w
<b>P0265.080-016-ZP</b>	M8	16	4,12	19,35	22	7,42
<b>P0265.080-020-ZP</b>	M8	20	4,12	19,35	22	7,42
<b>P0265.080-025-ZP</b>	M8	25	4,12	19,35	22	7,42
<b>P0265.080-030-ZP</b>	M8	30	4,12	19,35	22	7,42
<b>P0265.080-035-ZP</b>	M8	35	4,12	19,35	22	7,42
<b>P0265.080-040-ZP</b>	M8	40	4,12	19,35	22	7,42
<b>P0265.080-045-ZP</b>	M8	45	4,12	19,35	22	7,42
<b>P0265.080-050-ZP</b>	M8	50	4,12	19,35	22	7,42
<b>P0265.080-055-ZP</b>	M8	55	4,12	19,35	22	7,42
<b>P0265.080-060-ZP</b>	M8	60	4,12	19,35	22	7,42
<b>P0265.080-065-ZP</b>	M8	65	4,12	19,35	22	7,42
<b>P0265.080-070-ZP</b>	M8	70	4,12	19,35	22	7,42
<b>P0265.080-075-ZP</b>	M8	75	4,12	19,35	22	7,42
<b>P0265.080-080-ZP</b>	M8	80	4,12	19,35	22	7,42
<b>P0265.080-090-ZP</b>	M8	90	4,12	19,35	22	7,42
<b>P0265.080-100-ZP</b>	M8	100	4,12	19,35	22	7,42
<b>P0265.080-110-ZP</b>	M8	110	4,12	19,35	22	7,42
<b>P0265.080-120-ZP</b>	M8	120	4,12	19,35	22	7,42
<b>P0265.080-130-ZP</b>	M8	130	4,12	19,35	28	7,42
<b>P0265.080-140-ZP</b>	M8	140	4,12	19,35	28	7,42
<b>P0265.080-150-ZP</b>	M8	150	4,12	19,35	28	7,42
<b>P0265.080-160-ZP</b>	M8	160	4,12	19,35	28	7,42
<b>P0265.080-170-ZP</b>	M8	170	4,12	19,35	28	7,42
<b>P0265.080-180-ZP</b>	M8	180	4,12	19,35	28	7,42
<b>P0265.080-200-ZP</b>	M8	200	4,12	19,35	28	7,42
<b>P0265.100-016-ZP</b>	M10	16	4,62	23,25	26	9,42
<b>P0265.100-020-ZP</b>	M10	20	4,62	23,25	26	9,42
<b>P0265.100-025-ZP</b>	M10	25	4,62	23,25	26	9,42
<b>P0265.100-030-ZP</b>	M10	30	4,62	23,25	26	9,42
<b>P0265.100-035-ZP</b>	M10	35	4,62	23,25	26	9,42
<b>P0265.100-040-ZP</b>	M10	40	4,62	23,25	26	9,42
<b>P0265.100-045-ZP</b>	M10	45	4,62	23,25	26	9,42
<b>P0265.100-050-ZP</b>	M10	50	4,62	23,25	26	9,42
<b>P0265.100-055-ZP</b>	M10	55	4,62	23,25	26	9,42

Order No.	d <sub>1</sub>	l <sub>1</sub>	h	d <sub>2</sub>	l <sub>2</sub>	w
<b>P0265.100-060-ZP</b>	M10	60	4,62	23,25	26	9,42
<b>P0265.100-065-ZP</b>	M10	65	4,62	23,25	26	9,42
<b>P0265.100-070-ZP</b>	M10	70	4,62	23,25	26	9,42
<b>P0265.100-075-ZP</b>	M10	75	4,62	23,25	26	9,42
<b>P0265.100-080-ZP</b>	M10	80	4,62	23,25	26	9,42
<b>P0265.100-090-ZP</b>	M10	90	4,62	23,25	26	9,42
<b>P0265.100-100-ZP</b>	M10	100	4,62	23,25	26	9,42
<b>P0265.100-110-ZP</b>	M10	110	4,62	23,25	26	9,42
<b>P0265.100-120-ZP</b>	M10	120	4,62	23,25	26	9,42
<b>P0265.100-130-ZP</b>	M10	130	4,62	23,25	32	9,42
<b>P0265.100-140-ZP</b>	M10	140	4,62	23,25	32	9,42
<b>P0265.100-150-ZP</b>	M10	150	4,62	23,25	32	9,42
<b>P0265.100-160-ZP</b>	M10	160	4,62	23,25	32	9,42
<b>P0265.100-170-ZP</b>	M10	170	4,62	23,25	32	9,42
<b>P0265.100-180-ZP</b>	M10	180	4,62	23,25	32	9,42
<b>P0265.100-200-ZP</b>	M10	200	4,62	23,25	32	9,42
<b>P0265.120-025-ZP</b>	M12	25	6,05	29,25	30	11,3
<b>P0265.120-030-ZP</b>	M12	30	6,05	29,25	30	11,3
<b>P0265.120-035-ZP</b>	M12	35	6,05	29,25	30	11,3
<b>P0265.120-040-ZP</b>	M12	40	6,05	29,25	30	11,3
<b>P0265.120-045-ZP</b>	M12	45	6,05	29,25	30	11,3
<b>P0265.120-050-ZP</b>	M12	50	6,05	29,25	30	11,3
<b>P0265.120-055-ZP</b>	M12	55	6,05	29,25	30	11,3
<b>P0265.120-060-ZP</b>	M12	60	6,05	29,25	30	11,3
<b>P0265.120-065-ZP</b>	M12	65	6,05	29,25	30	11,3
<b>P0265.120-070-ZP</b>	M12	70	6,05	29,25	30	11,3
<b>P0265.120-075-ZP</b>	M12	75	6,05	29,25	30	11,3
<b>P0265.120-080-ZP</b>	M12	80	6,05	29,25	30	11,3
<b>P0265.120-090-ZP</b>	M12	90	6,05	29,25	30	11,3
<b>P0265.120-100-ZP</b>	M12	100	6,05	29,25	30	11,3

Order No.	d <sub>1</sub>	l <sub>1</sub>	h	d <sub>2</sub>	l <sub>2</sub>	w
<b>P0265.120-110-ZP</b>	M12	110	6,05	29,25	30	11,3
<b>P0265.120-120-ZP</b>	M12	120	6,05	29,25	30	11,3
<b>P0265.120-130-ZP</b>	M12	130	6,05	29,25	36	11,3
<b>P0265.120-140-ZP</b>	M12	140	6,05	29,25	36	11,3
<b>P0265.120-150-ZP</b>	M12	150	6,05	29,25	36	11,3
<b>P0265.120-160-ZP</b>	M12	160	6,05	29,25	36	11,3
<b>P0265.120-170-ZP</b>	M12	170	6,05	29,25	36	11,3
<b>P0265.120-180-ZP</b>	M12	180	6,05	29,25	36	11,3
<b>P0265.120-200-ZP</b>	M12	200	6,05	29,25	36	11,3
<b>P0265.160-040-ZP</b>	M16	40	8,05	37,20	38	15,3
<b>P0265.160-045-ZP</b>	M16	45	8,05	37,20	38	15,3
<b>P0265.160-050-ZP</b>	M16	50	8,05	37,20	38	15,3
<b>P0265.160-055-ZP</b>	M16	55	8,05	37,20	38	15,3
<b>P0265.160-060-ZP</b>	M16	60	8,05	37,20	38	15,3
<b>P0265.160-065-ZP</b>	M16	65	8,05	37,20	38	15,3
<b>P0265.160-070-ZP</b>	M16	70	8,05	37,20	38	15,3
<b>P0265.160-075-ZP</b>	M16	75	8,05	37,20	38	15,3
<b>P0265.160-080-ZP</b>	M16	80	8,05	37,20	38	15,3
<b>P0265.160-090-ZP</b>	M16	90	8,05	37,20	38	15,3
<b>P0265.160-100-ZP</b>	M16	100	8,05	37,20	38	15,3
<b>P0265.160-110-ZP</b>	M16	110	8,05	37,20	38	15,3
<b>P0265.160-120-ZP</b>	M16	120	8,05	37,20	38	15,3
<b>P0265.160-130-ZP</b>	M16	130	8,05	37,20	44	15,3
<b>P0265.160-140-ZP</b>	M16	140	8,05	37,20	44	15,3
<b>P0265.160-150-ZP</b>	M16	150	8,05	37,20	44	15,3
<b>P0265.160-160-ZP</b>	M16	160	8,05	37,20	44	15,3
<b>P0265.160-170-ZP</b>	M16	170	8,05	37,20	44	15,3
<b>P0265.160-180-ZP</b>	M16	180	8,05	37,20	44	15,3
<b>P0265.160-200-ZP</b>	M16	200	8,05	37,20	44	15,3