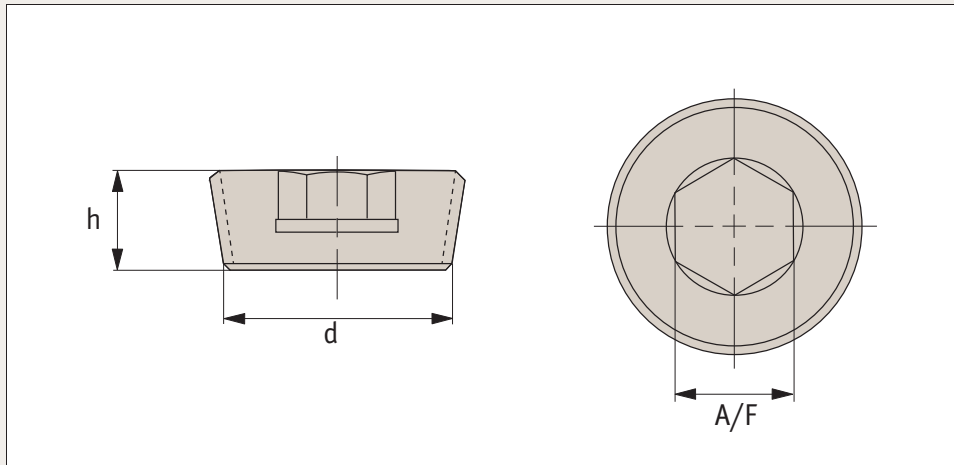


Blanking Plugs

hex. socket

Blanking Plugs



P0184

Material

Steel (self-colour & zinc-plated), stainless steel (A2 & A4), and brass.

Technical Notes

To DIN 906. Metric fine taper threads.
Inch threads beginning with "R" indicate BSPT (British Standard Pipe Taper threads ISO 7).
Tightening torque is dependent on fluid, pressure, temperature, and material pairing.

| Order No. | d | h _{JS16} | A/F | Material |
|-------------------------|----------|-------------------|-----|----------|
| P0184.060-100-ZP | M6 x1,0 | 6 | 3 | Steel ZP |
| P0184.080-075-ZP | M8 x0,75 | 8 | 4 | Steel ZP |
| P0184.080-100-ZP | M8 x1,0 | 8 | 4 | Steel ZP |
| P0184.080-125-ZP | M8 x1,25 | 8 | 4 | Steel ZP |
| P0184.100-100-ZP | M10 x1,0 | 8 | 5 | Steel ZP |
| P0184.120-150-ZP | M12 x1,5 | 10 | 6 | Steel ZP |
| P0184.140-150-ZP | M14 x1,5 | 10 | 7 | Steel ZP |
| P0184.160-150-ZP | M16 x1,5 | 10 | 8 | Steel ZP |
| P0184.180-150-ZP | M18 x1,5 | 10 | 8 | Steel ZP |
| P0184.200-150-ZP | M20 x1,5 | 10 | 10 | Steel ZP |
| P0184.220-150-ZP | M22 x1,5 | 10 | 10 | Steel ZP |
| P0184.240-150-ZP | M24 x1,5 | 12 | 12 | Steel ZP |
| P0184.260-150-ZP | M26 x1,5 | 12 | 12 | Steel ZP |
| P0184.270-150-ZP | M27 x1,5 | 12 | 12 | Steel ZP |
| P0184.270-200-ZP | M27 x2,0 | 12 | 12 | Steel ZP |
| P0184.300-150-ZP | M30 x1,5 | 12 | 17 | Steel ZP |
| P0184.300-200-ZP | M30 x2 | 12 | 17 | Steel ZP |
| P0184.360-150-ZP | M36 x1,5 | 15 | 19 | Steel ZP |
| P0184.420-150-ZP | M42x1,5 | 18 | 22 | Steel ZP |
| P0184.520-150-ZP | M52 x1,5 | 20 | 24 | Steel ZP |
| P0184.R1/8-ZP | R1/8" | 8 | 5 | Steel ZP |
| P0184.R1/4-ZP | R1/4" | 10 | 7 | Steel ZP |
| P0184.R3/8-ZP | R3/8" | 10 | 8 | Steel ZP |
| P0184.R1/2-ZP | R1/2" | 10 | 10 | Steel ZP |
| P0184.R3/4-ZP | R3/4" | 12 | 12 | Steel ZP |
| P0184.R1-ZP | R1" | 17 | 12 | Steel ZP |
| P0184.R1-1/4-ZP | R1 1/4" | 22 | 18 | Steel ZP |
| P0184.R1-1/2-ZP | R1 1/2" | 24 | 20 | Steel ZP |
| P0184.060-100-SC | M6 x1,0 | 6 | 3 | Steel SC |
| P0184.080-075-SC | M8 x0,75 | 8 | 4 | Steel SC |

| Order No. | d | h _{JS16} | A/F | Material |
|-------------------------|----------|-------------------|-----|----------|
| P0184.080-100-SC | M8 x1,0 | 8 | 4 | Steel SC |
| P0184.080-125-SC | M8 x1,25 | 8 | 4 | Steel SC |
| P0184.100-100-SC | M10 x1,0 | 8 | 5 | Steel SC |
| P0184.120-100-SC | M12 x1,0 | 10 | 6 | Steel SC |
| P0184.120-150-SC | M12 x1,5 | 10 | 6 | Steel SC |
| P0184.140-150-SC | M14 x1,5 | 10 | 7 | Steel SC |
| P0184.160-150-SC | M16 x1,5 | 10 | 8 | Steel SC |
| P0184.180-150-SC | M18 x1,5 | 10 | 8 | Steel SC |
| P0184.200-150-SC | M20 x1,5 | 10 | 10 | Steel SC |
| P0184.220-150-SC | M22 x1,5 | 10 | 10 | Steel SC |
| P0184.240-150-SC | M24 x1,5 | 12 | 12 | Steel SC |
| P0184.260-150-SC | M26 x1,5 | 12 | 12 | Steel SC |
| P0184.270-150-SC | M27 x1,5 | 12 | 12 | Steel SC |
| P0184.270-200-SC | M27 x2,0 | 12 | 12 | Steel SC |
| P0184.300-150-SC | M30 x1,5 | 12 | 17 | Steel SC |
| P0184.300-200-SC | M30 x2,0 | 12 | 17 | Steel SC |
| P0184.330-150-SC | M33 x1,5 | 12 | 17 | Steel SC |
| P0184.330-200-SC | M33 x2,0 | 12 | 17 | Steel SC |
| P0184.360-150-SC | M36 x1,5 | 15 | 19 | Steel SC |
| P0184.360-200-SC | M36 x2 | 15 | 19 | Steel SC |
| P0184.380-150-SC | M38 x1,5 | 15 | 19 | Steel SC |
| P0184.420-150-SC | M42 x1,5 | 18 | 22 | Steel SC |
| P0184.420-200-SC | M42 x2,0 | 18 | 22 | Steel SC |
| P0184.480-150-SC | M48 x1,5 | 20 | 24 | Steel SC |
| P0184.480-200-SC | M48 x2,0 | 20 | 24 | Steel SC |
| P0184.520-150-SC | M52 x1,5 | 20 | 24 | Steel SC |
| P0184.520-200-SC | M52 x2 | 20 | 24 | Steel SC |
| P0184.560-200-SC | M56 x2,0 | 22 | 32 | Steel SC |
| P0184.600-200-SC | M60 x2,0 | 22 | 32 | Steel SC |
| P0184.R1/8-SC | R1/8" | 8 | 5 | Steel SC |
| P0184.R1/4-SC | R1/4" | 10 | 7 | Steel SC |

| Order No. | d | h _{JS16} | A/F | Material |
|-------------------------|----------|-------------------|-----|----------|
| P0184.R3/8-SC | R3/8" | 10 | 8 | Steel SC |
| P0184.R1/2-SC | R1/2" | 10 | 10 | Steel SC |
| P0184.R3/4-SC | R3/4" | 12 | 12 | Steel SC |
| P0184.R1-SC | R1" | 17 | 12 | Steel SC |
| P0184.R1-1/4-SC | R1 1/4" | 22 | 18 | Steel SC |
| P0184.R1-1/2-SC | R1 1/2" | 24 | 20 | Steel SC |
| P0184.060-100-A4 | M6 x1,0 | 6 | 3 | A4 s/s |
| P0184.080-075-A4 | M8 x0,75 | 8 | 4 | A4 s/s |
| P0184.080-100-A4 | M8 x1,0 | 8 | 4 | A4 s/s |
| P0184.080-125-A4 | M8 x1,25 | 8 | 4 | A4 s/s |
| P0184.100-100-A4 | M10 x1,0 | 8 | 5 | A4 s/s |
| P0184.120-150-A4 | M12 x1,5 | 10 | 6 | A4 s/s |
| P0184.140-150-A4 | M14 x1,5 | 10 | 7 | A4 s/s |
| P0184.160-150-A4 | M16 x1,5 | 10 | 8 | A4 s/s |
| P0184.180-150-A4 | M18 x1,5 | 10 | 8 | A4 s/s |
| P0184.200-150-A4 | M20 x1,5 | 10 | 10 | A4 s/s |
| P0184.220-150-A4 | M22 x1,5 | 10 | 10 | A4 s/s |
| P0184.240-150-A4 | M24 x1,5 | 12 | 12 | A4 s/s |
| P0184.260-150-A4 | M26 x1,5 | 12 | 12 | A4 s/s |
| P0184.270-200-A4 | M27 x2,0 | 12 | 12 | A4 s/s |
| P0184.300-150-A4 | M30 x1,5 | 12 | 17 | A4 s/s |
| P0184.330-200-A4 | M33 x2 | 12 | 17 | A4 s/s |
| P0184.360-150-A4 | M36 x1,5 | 15 | 19 | A4 s/s |
| P0184.360-200-A4 | M36 x2 | 15 | 19 | A4 s/s |
| P0184.420-150-A4 | M42 x1,5 | 18 | 22 | A4 s/s |
| P0184.420-200-A4 | M42 x2 | 18 | 22 | A4 s/s |
| P0184.480-150-A4 | M48 x1,5 | 20 | 24 | A4 s/s |
| P0184.R1/8-A4 | R1/8" | 8 | 5 | A4 s/s |
| P0184.R1/4-A4 | R1/4" | 10 | 7 | A4 s/s |
| P0184.R3/8-A4 | R3/8" | 10 | 8 | A4 s/s |
| P0184.R1/2-A4 | R1/2" | 10 | 10 | A4 s/s |
| P0184.R3/4-A4 | R3/4" | 12 | 12 | A4 s/s |
| P0184.R1-A4 | R1" | 17 | 12 | A4 s/s |
| P0184.R1-1/4-A4 | R1 1/4" | 22 | 18 | A2 s/s |

| Order No. | d | h _{JS16} | A/F | Material |
|-------------------------|----------|-------------------|-----|----------|
| P0184.R1-1/2-A4 | R1 1/2" | 24 | 20 | A4 s/s |
| P0184.R1/8-A2 | R1/8" | 8 | 5 | A2 s/s |
| P0184.R1/4-A2 | R1/4" | 10 | 7 | A2 s/s |
| P0184.R3/8-A2 | R3/8" | 10 | 8 | A2 s/s |
| P0184.R1/2-A2 | R1/2" | 10 | 10 | A2s/s |
| P0184.R3/4-A2 | R3/4" | 12 | 12 | A2 s/s |
| P0184.R1-A2 | R1" | 17 | 12 | A2 s/s |
| P0184.R1-1/2-A2 | R1 1/2" | 24 | 20 | A2 s/s |
| P0184.060-100-BR | M6 x1,0 | 6 | 3 | Brass |
| P0184.080-075-BR | M8 x0,75 | 8 | 4 | Brass |
| P0184.080-100-BR | M8 x1,0 | 8 | 4 | Brass |
| P0184.080-125-BR | M8 x1,25 | 8 | 4 | Brass |
| P0184.100-100-BR | M10 x1,0 | 8 | 5 | Brass |
| P0184.120-150-BR | M12 x1,5 | 10 | 6 | Brass |
| P0184.140-150-BR | M14 x1,5 | 10 | 7 | Brass |
| P0184.160-150-BR | M16 x1,5 | 10 | 8 | Brass |
| P0184.180-150-BR | M18 x1,5 | 10 | 8 | Brass |
| P0184.200-150-BR | M20 x1,5 | 10 | 10 | Brass |
| P0184.220-150-BR | M22 x1,5 | 10 | 10 | Brass |
| P0184.240-150-BR | M24 x1,5 | 1 | 12 | Brass |
| P0184.300-150-BR | M30 x1,5 | 12 | 17 | Brass |
| P0184.300-200-BR | M30 x2 | 12 | 17 | Brass |
| P0184.420-200-BR | M42 x2 | 18 | 22 | Brass |
| P0184.R1/8-BR | R1/8" | 8 | 5 | Brass |
| P0184.R1/4-BR | R1/4" | 10 | 7 | Brass |
| P0184.R3/8-BR | R3/8" | 10 | 8 | Brass |
| P0184.R1/2-BR | R1/2" | 10 | 10 | Brass |
| P0184.R3/4-BR | R3/4" | 12 | 12 | Brass |
| P0184.R1-BR | R1" | 17 | 12 | Brass |
| P0184.R1-1/4-BR | R1 1/4" | 22 | 18 | Brass |
| P0184.R1-1/2-BR | R1 1/2" | 24 | 20 | Brass |