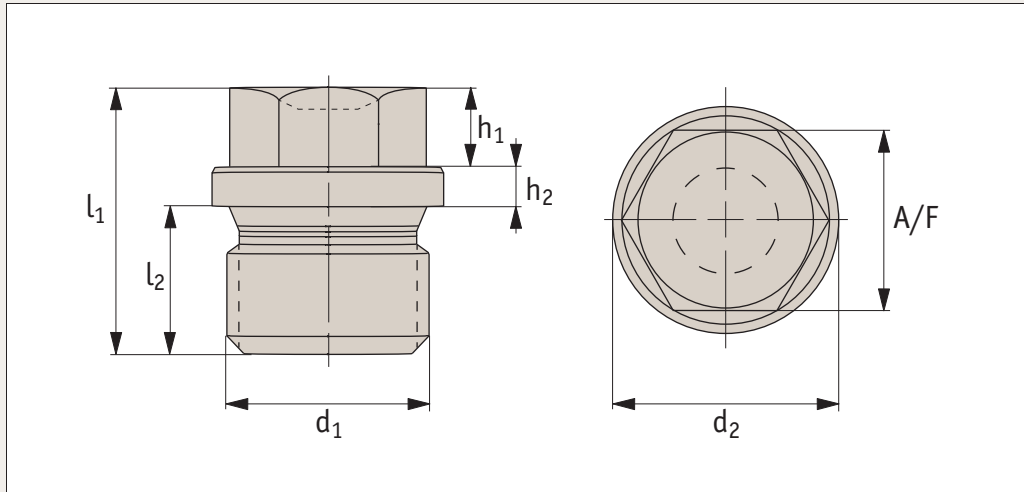




## P0182



### Material

Steel (self-colour & zinc-plated), stainless steel (A2 & A4), and brass.

### Technical Notes

To DIN 910. Most metric screw plug threads are fine threads.

Inch threads beginning with "G" indicate BSPP (British Standard Pipe Parallel threads ISO 228).

### Tips

Tightening torque is dependent on fluid, pressure, temperature, and material pairing

Also available on request with O rings (NBR, Viton, EPDM, Silicone etc), permanent magnet, and polyamide melt seal under head.

Order No.	d <sub>1</sub> x p	d <sub>2</sub> h14	l <sub>1</sub>	l <sub>2 ±0.2</sub>	h <sub>1</sub>	h <sub>2</sub>	A/F	Material
<b>P0182.080-100-ZP</b>	M 8 x1,0	14	17	8	6	3	10	Steel ZP
<b>P0182.100-100-ZP</b>	M10 x1,0	14	17	8	6	3	10	Steel ZP
<b>P0182.120-150-ZP</b>	M12 x1,5	17	21	12	6	3	13	Steel ZP
<b>P0182.140-150-ZP</b>	M14 x1,5	19	21	12	6	3	13	Steel ZP
<b>P0182.160-150-ZP</b>	M16 x1,5	21	21	12	6	3	17	Steel ZP
<b>P0182.180-150-ZP</b>	M18 x1,5	23	24	12	8	4	17	Steel ZP
<b>P0182.200-150-ZP</b>	M20 x1,5	25	26	14	8	4	19	Steel ZP
<b>P0182.220-150-ZP</b>	M22 x1,5	27	26	14	8	4	19	Steel ZP
<b>P0182.240-150-ZP</b>	M24 x1,5	29	27	14	9	4	22	Steel ZP
<b>P0182.260-150-ZP</b>	M26 x1,5	31	30	16	10	4	24	Steel ZP
<b>P0182.270-200-ZP</b>	M27 x2,0	32	30	16	10	4	24	Steel ZP
<b>P0182.300-150-ZP</b>	M30 x1,5	36	30	16	11	5	24	Steel ZP
<b>P0182.300-200-ZP</b>	M30 x2,0	36	32	16	11	5	24	Steel ZP
<b>P0182.330-200-ZP</b>	M33 x2,0	39	32	16	11	5	27	Steel ZP
<b>P0182.360-150-ZP</b>	M36 x1,5	42	32	16	11	5	27	Steel ZP
<b>P0182.360-200-ZP</b>	M36 x2,0	42	32	16	11	5	27	Steel ZP
<b>P0182.G1/8-ZP</b>	G1/8"	14	17	8	6	3	10	Steel ZP
<b>P0182.G1/4-ZP</b>	G1/4"	18	21	12	6	3	13	Steel ZP
<b>P0182.G1/4x8-ZP</b>	G1/4"x8	18	21	12	6	3	13	Steel ZP
<b>P0182.G3/8-ZP</b>	G3/8"	22	21	12	6	3	17	Steel ZP
<b>P0182.G3/8x8-ZP</b>	G3/8"x8	22	17	8	6	3	17	Steel ZP
<b>P0182.G1/2-ZP</b>	G1/2"	26	26	14	8	4	19	Steel ZP
<b>P0182.G1/2x10-ZP</b>	G1/2"x10	26	22	10	8	4	19	Steel ZP
<b>P0182.G5/8-ZP</b>	G5/8"	28	30	16	10	4	24	Steel ZP
<b>P0182.G3/4-ZP</b>	G3/4"	32	30	16	10	4	24	Steel ZP
<b>P0182.G3/4x12-ZP</b>	G3/4"x12	32	26	12	10	4	24	Steel ZP
<b>P0182.G1-ZP</b>	G1"	39	32	16	11	5	27	Steel ZP

Order No.	d <sub>1</sub> x p	d <sub>2</sub> h14	l <sub>1</sub>	l <sub>2 ±0.2</sub>	h <sub>1</sub>	h <sub>2</sub>	A/F	Material
<b>P0182.G1-1/8-ZP</b>	G1-1/8"	44	32	16	11	5	27	Steel ZP
<b>P0182.G1-1/4-ZP</b>	G1-1/4"	49	33	16	12	5	30	Steel ZP
<b>P0182.G1-1/2-ZP</b>	G1-1/2"	55	33	16	12	5	30	Steel ZP
<b>P0182.080-100-SC</b>	M 8 x1,0	14	17	8	6	3	10	Steel SC
<b>P0182.100-100-SC</b>	M10 x1,0	14	17	8	6	3	10	Steel SC
<b>P0182.120-150-SC</b>	M12 x1,5	17	21	12	6	3	13	Steel SC
<b>P0182.140-150-SC</b>	M14 x1,5	19	21	12	6	3	13	Steel SC
<b>P0182.160-150-SC</b>	M16 x1,5	21	21	12	6	3	17	Steel SC
<b>P0182.180-150-SC</b>	M18 x1,5	23	24	12	8	4	17	Steel SC
<b>P0182.200-150-SC</b>	M20 x1,5	25	26	14	8	4	19	Steel SC
<b>P0182.220-150-SC</b>	M22 x1,5	27	26	14	8	4	19	Steel SC
<b>P0182.240-150-SC</b>	M24 x1,5	29	27	14	9	4	22	Steel SC
<b>P0182.260-150-SC</b>	M26 x1,5	31	30	16	10	4	24	Steel SC
<b>P0182.270-200-SC</b>	M27 x2,0	32	30	16	10	4	24	Steel SC
<b>P0182.300-150-SC</b>	M30 x1,5	36	30	16	11	5	24	Steel SC
<b>P0182.300-200-SC</b>	M30 x2,0	36	32	16	11	5	24	Steel SC
<b>P0182.330-200-SC</b>	M33 x2,0	39	32	16	11	5	27	Steel SC
<b>P0182.360-150-SC</b>	M36 x1,5	42	32	16	11	5	27	Steel SC
<b>P0182.360-200-SC</b>	M36 x2,0	42	32	16	11	5	27	Steel SC
<b>P0182.380-150-SC</b>	M38 x1,5	44	32	16	11	5	27	Steel SC
<b>P0182.420-150-SC</b>	M42 x1,5	49	33	16	12	5	30	Steel SC
<b>P0182.420-200-SC</b>	M42 x2,0	49	33	16	12	5	30	Steel SC
<b>P0182.450-150-SC</b>	M45 x1,5	52	33	16	12	5	30	Steel SC
<b>P0182.480-200-SC</b>	M48 x2,0	55	33	16	12	5	30	Steel SC
<b>P0182.520-200-SC</b>	M52 x2,0	60	33	16	12	5	30	Steel SC
<b>P0182.520-150-SC</b>	M52 x1,5	60	33	16	12	5	30	Steel SC
<b>P0182.560-200-SC</b>	M56 x2,0	64	40	20	12	5	36	Steel SC

# Blanking Plugs Heavy Duty

metric & BSPP

# Blanking Plugs

Order No.	d <sub>1</sub> x p	d <sub>2</sub> h14	l <sub>1</sub>	l <sub>2 ±0.2</sub>	h <sub>1</sub>	h <sub>2</sub>	A/F	Material
<b>P0182.600-200-SC</b>	M60 x2,0	72	40	20	15	5	36	Steel SC
<b>P0182.640-200-SC</b>	M64 x2,0	72	40	20	15	5	36	Steel SC
<b>P0182.G1/8-SC</b>	G1/8"	14	17	8	6	3	10	Steel SC
<b>P0182.G1/4-SC</b>	G1/4"	18	21	12	6	3	13	Steel SC
<b>P0182.G1/4x8-SC</b>	G1/4"x8	18	21	12	6	3	13	Steel SC
<b>P0182.G3/8-SC</b>	G3/8"	22	21	12	6	3	17	Steel SC
<b>P0182.G3/8x8-SC</b>	G3/8"x8	22	17	8	6	3	17	Steel SC
<b>P0182.G1/2-SC</b>	G1/2"	26	26	14	8	4	19	Steel SC
<b>P0182.G1/2x10-SC</b>	G1/2"x10	26	22	10	8	4	19	Steel SC
<b>P0182.G5/8-SC</b>	G5/8"	28	30	16	10	4	24	Steel SC
<b>P0182.G3/4-SC</b>	G3/4"	32	30	16	10	4	24	Steel SC
<b>P0182.G3/4x12-SC</b>	G3/4"x12	32	26	12	10	4	24	Steel SC
<b>P0182.G1-SC</b>	G1"	39	32	16	11	5	27	Steel SC
<b>P0182.G1-1/8-SC</b>	G1-1/8"	44	32	16	11	5	27	Steel SC
<b>P0182.G1-1/4-SC</b>	G1-1/4"	49	33	16	12	5	30	Steel SC
<b>P0182.G1-1/2-SC</b>	G1-1/2"	55	33	16	12	5	30	Steel SC
<b>P0182.G1-3/4-SC</b>	G1-3/4"	62	40	20	10	4	24	Steel SC
<b>P0182.G2-SC</b>	G2"	68	40	20	15	5	36	Steel SC
<b>P0182.G2-1/2-SC</b>	G2-1/2"	85	40	20	15	5	36	Steel SC
<b>P0182.100-100-A4</b>	M10 x1,0	14	17	8	6	3	10	A4 s/s
<b>P0182.120-150-A4</b>	M12 x1,5	17	21	12	6	3	13	A4 s/s
<b>P0182.140-150-A4</b>	M14 x1,5	19	21	12	6	3	13	A4 s/s
<b>P0182.160-150-A4</b>	M16 x1,5	21	21	12	6	3	17	A4 s/s
<b>P0182.180-150-A4</b>	M18 x1,5	23	24	12	8	4	17	A4 s/s
<b>P0182.200-150-A4</b>	M20 x1,5	25	26	14	8	4	19	A4 s/s
<b>P0182.220-150-A4</b>	M22 x1,5	27	26	14	8	4	19	A4 s/s
<b>P0182.240-150-A4</b>	M24 x1,5	29	27	14	9	4	22	A4 s/s
<b>P0182.260-150-A4</b>	M26 x1,5	31	30	16	10	4	24	A4 s/s
<b>P0182.270-200-A4</b>	M27 x2,0	32	30	16	10	4	24	A4 s/s
<b>P0182.300-150-A4</b>	M30 x1,5	36	30	16	11	5	24	A4 s/s
<b>P0182.300-200-A4</b>	M30 x2,0	36	32	16	11	5	24	A4 s/s
<b>P0182.G1/8-A4</b>	G1/8"	14	17	8	6	3	10	A4 s/s
<b>P0182.G1/4-A4</b>	G1/4"	18	21	12	6	3	13	A4 s/s
<b>P0182.G1/4x8-A4</b>	G1/4"x8	18	21	12	6	3	13	A4 s/s
<b>P0182.G3/8-A4</b>	G3/8"	22	21	12	6	3	17	A4 s/s
<b>P0182.G3/8x8-A4</b>	G3/8"x8	22	17	8	6	3	17	A4 s/s
<b>P0182.G1/2-A4</b>	G1/2"	26	26	14	8	4	19	A4 s/s
<b>P0182.G1/2x10-A4</b>	G1/2"x10	26	22	10	8	4	19	A4 s/s
<b>P0182.G5/8-A4</b>	G5/8"	28	30	16	10	4	24	A4 s/s
<b>P0182.G3/4-A4</b>	G3/4"	32	30	16	10	4	24	A4 s/s
<b>P0182.G3/4x12-A4</b>	G3/4"x12	32	26	12	10	4	24	A4 s/s
<b>P0182.G1-A4</b>	G1"	39	32	16	11	5	27	A4 s/s
<b>P0182.G1-1/8-A4</b>	G1-1/8"	44	32	16	11	5	27	A4 s/s
<b>P0182.G1-1/4-A4</b>	G1-1/4"	49	33	16	12	5	30	A4 s/s
<b>P0182.G1-1/2-A4</b>	G1-1/2"	55	33	16	12	5	30	A4 s/s
<b>P0182.G1-3/4-A4</b>	G1-3/4"	62	40	20	15	5	36	A4 s/s
<b>P0182.G2-A4</b>	G2"	68	40	20	15	5	36	A4 s/s
<b>P0182.100-100-A2</b>	M10 x1,0	14	17	8	6	3	10	A2 s/s
<b>P0182.120-150-A2</b>	M12 x1,5	17	21	12	6	3	13	A2 s/s
<b>P0182.140-150-A2</b>	M14 x1,5	19	21	12	6	3	13	A2 s/s
<b>P0182.160-150-A2</b>	M16 x1,5	21	21	12	6	3	17	A2 s/s
<b>P0182.180-150-A2</b>	M18 x1,5	23	24	12	8	4	17	A2 s/s

Order No.	d <sub>1</sub> x p	d <sub>2</sub> h14	l <sub>1</sub>	l <sub>2 ±0.2</sub>	h <sub>1</sub>	h <sub>2</sub>	A/F	Material
<b>P0182.200-150-A2</b>	M20 x1,5	25	26	14	8	4	19	A2 s/s
<b>P0182.220-150-A2</b>	M22 x1,5	27	26	14	8	4	19	A2 s/s
<b>P0182.240-150-A2</b>	M24 x1,5	29	27	14	9	4	22	A2 s/s
<b>P0182.260-150-A2</b>	M26 x1,5	31	30	16	10	4	24	A2 s/s
<b>P0182.270-200-A2</b>	M27 x2,0	32	30	16	10	4	24	A2 s/s
<b>P0182.300-150-A2</b>	M30 x1,5	36	30	16	11	5	24	A2 s/s
<b>P0182.300-200-A2</b>	M30 x2,0	36	32	16	11	5	24	A2 s/s
<b>P0182.G1/8-A2</b>	G1/8"	14	17	8	6	3	10	A2 s/s
<b>P0182.G1/4-A2</b>	G1/4"	18	21	12	6	3	13	A2 s/s
<b>P0182.G3/8-A2</b>	G3/8"	22	21	12	6	3	17	A2 s/s
<b>P0182.G1/2-A2</b>	G1/2"	26	26	14	8	4	19	A2 s/s
<b>P0182.G5/8-A2</b>	G5/8"	28	30	16	10	4	24	A2 s/s
<b>P0182.G3/4-A2</b>	G3/4"	32	30	16	10	4	24	A2 s/s
<b>P0182.G1-A2</b>	G1"	39	32	16	11	5	27	A2 s/s
<b>P0182.G1-1/8-A2</b>	G1-1/8"	44	32	16	11	5	27	A2 s/s
<b>P0182.G1-1/4-A2</b>	G1-1/4"	49	33	16	12	5	30	A2 s/s
<b>P0182.G1-1/2-A2</b>	G1-1/2"	55	33	16	12	5	30	A2 s/s
<b>P0182.G1-3/4-A2</b>	G1-3/4"	62	40	20	15	5	36	A2 s/s
<b>P0182.G2-A2</b>	G2"	68	40	20	15	5	36	A2 s/s
<b>P0182.080-100-BR</b>	M 8 x1,0	14	17	8	6	3	10	Brass
<b>P0182.100-100-BR</b>	M10 x1,0	14	17	8	6	3	10	Brass
<b>P0182.120-150-BR</b>	M12 x1,5	17	21	12	6	3	13	Brass
<b>P0182.140-150-BR</b>	M14 x1,5	19	21	12	6	3	13	Brass
<b>P0182.160-150-BR</b>	M16 x1,5	21	21	12	6	3	17	Brass
<b>P0182.180-150-BR</b>	M18 x1,5	23	24	12	8	4	17	Brass
<b>P0182.200-150-BR</b>	M20 x1,5	25	26	14	8	4	19	Brass
<b>P0182.220-150-BR</b>	M22 x1,5	27	26	14	8	4	19	Brass
<b>P0182.240-150-BR</b>	M24 x1,5	29	27	14	9	4	22	Brass
<b>P0182.260-150-BR</b>	M26 x1,5	31	30	16	10	4	24	Brass
<b>P0182.270-200-BR</b>	M27 x2,0	32	30	16	10	4	24	Brass
<b>P0182.300-150-BR</b>	M30 x1,5	36	30	16	11	5	24	Brass
<b>P0182.300-200-BR</b>	M30 x2,0	36	32	16	11	5	24	Brass
<b>P0182.330-200-BR</b>	M33 x2,0	39	32	16	11	5	27	Brass
<b>P0182.360-150-BR</b>	M36 x1,5	42	32	16	11	5	27	Brass
<b>P0182.420-150-BR</b>	M42 x1,5	49	33	16	12	5	30	Brass
<b>P0182.G1/8-BR</b>	G1/8"	14	17	8	6	3	10	Brass
<b>P0182.G1/4-BR</b>	G1/4"	18	21	12	6	3	13	Brass
<b>P0182.G1/4x8-BR</b>	G1/4"x8	18	21	12	6	3	13	Brass
<b>P0182.G3/8-BR</b>	G3/8"	22	21	12	6	3	17	Brass
<b>P0182.G3/8x8-BR</b>	G3/8"x8	22	17	8	6	3	17	Brass
<b>P0182.G1/2-BR</b>	G1/2"	26	26	14	8	4	19	Brass
<b>P0182.G1/2x10-BR</b>	G1/2"x10	26	22	10	8	4	19	Brass
<b>P0182.G5/8-BR</b>	G5/8"	28	30	16	10	4	24	Brass
<b>P0182.G3/4-BR</b>	G3/4"	32	30	16	10	4	24	Brass
<b>P0182.G3/4x12-BR</b>	G3/4"x12	32	26	12	10	4	24	Brass
<b>P0182.G1-BR</b>	G1"	39	32	16	11	5	27	Brass
<b>P0182.G1-1/8-BR</b>	G1-1/8"	44	32	16	11	5	27	Brass
<b>P0182.G1-1/4-BR</b>	G1-1/4"	49	33	16	12	5	30	Brass
<b>P0182.G1-1/2-BR</b>	G1-1/2"	55	33	16	12	5	30	Brass
<b>P0182.G1-3/4-BR</b>	G1-3/4"	62	40	20	15	5	36	Brass
<b>P0182.G2-BR</b>	G2"	68	40	20	15	5	36	Brass