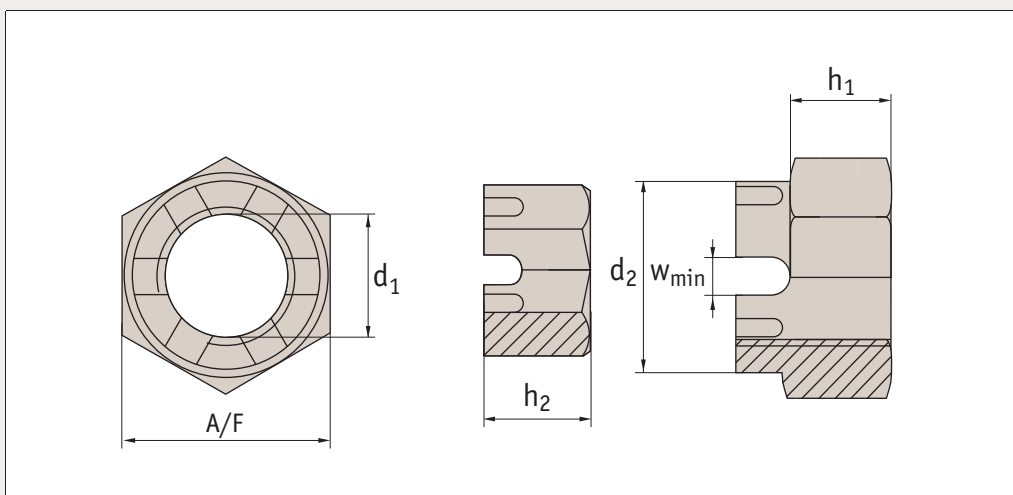




P0320



Material

Stainless steel (A2), and steel, zinc-plated (class 4).

Technical Notes

To DIN 935.

Order No.	d ₁	h ₁	h ₂	d ₂	w _{min.}	A/F	Material
P0320.050-A2	M 5	4,0	6,0	-	1,4	8	A2 s/s
P0320.060-A2	M 6	5,0	7,5	-	2,0	10	A2 s/s
P0320.080-A2	M 8	6,5	9,5	-	2,5	13	A2 s/s
P0320.100-A2	M10	8,0	12,0	-	2,8	17	A2 s/s
P0320.120-A2	M12	10,0	15,0	17	3,5	19	A2 s/s
P0320.140-A2	M14	11,0	16,0	19	3,5	22	A2 s/s
P0320.160-A2	M16	13,0	19,0	22	4,5	24	A2 s/s
P0320.180-A2	M18	15,0	21,0	25	4,5	27	A2 s/s
P0320.200-A2	M20	16,0	22,0	28	4,5	30	A2 s/s
P0320.240-A2	M24	19,0	27,0	34	5,5	36	A2 s/s
P0320.270-A2	M27	22,0	30,0	38	5,5	41	A2 s/s
P0320.300-A2	M30	24,0	33,0	42	7,0	46	A2 s/s
P0320.360-A2	M36	29,0	38,0	50	7,0	55	A2 s/s
P0320.050-A4	M 5	4,0	6,0	-	1,4	8	A4 s/s
P0320.060-A4	M 6	5,0	7,5	-	2,0	10	A4 s/s
P0320.080-A4	M 8	6,5	9,5	-	2,5	13	A4 s/s
P0320.100-A4	M10	8,0	12,0	-	2,8	17	A4 s/s
P0320.120-A4	M12	10,0	15,0	17	3,5	19	A4 s/s
P0320.140-A4	M14	11,0	16,0	19	3,5	22	A4 s/s
P0320.160-A4	M16	13,0	19,0	22	4,5	24	A4 s/s

Order No.	d ₁	h ₁	h ₂	d ₂	w _{min.}	A/F	Material
P0320.180-A4	M18	15,0	21,0	25	4,5	27	A4 s/s
P0320.200-A4	M20	16,0	22,0	28	4,5	30	A4 s/s
P0320.240-A4	M24	19,0	27,0	34	5,5	36	A4 s/s
P0320.270-A4	M27	22,0	30,0	38	5,5	41	A4 s/s
P0320.300-A4	M30	24,0	33,0	42	7,0	46	A4 s/s
P0320.360-A4	M36	29,0	38,0	50	7,0	55	A4 s/s
P0320.050-ZP	M 5	4,0	6,0	-	1,4	8	Steel ZP
P0320.060-ZP	M 6	5,0	7,5	-	2,0	10	Steel ZP
P0320.080-ZP	M 8	6,5	9,5	-	2,5	13	Steel ZP
P0320.100-ZP	M10	8,0	12,0	-	2,8	17	Steel ZP
P0320.120-ZP	M12	10,0	15,0	17	3,5	19	Steel ZP
P0320.140-ZP	M14	11,0	16,0	19	3,5	22	Steel ZP
P0320.160-ZP	M16	13,0	19,0	22	4,5	24	Steel ZP
P0320.180-ZP	M18	15,0	21,0	25	4,5	27	Steel ZP
P0320.200-ZP	M20	16,0	22,0	28	4,5	30	Steel ZP
P0320.240-ZP	M24	19,0	27,0	34	5,5	36	Steel ZP
P0320.270-ZP	M27	22,0	30,0	38	5,5	41	Steel ZP
P0320.300-ZP	M30	24,0	33,0	42	7,0	46	Steel ZP
P0320.360-ZP	M36	29,0	38,0	50	7,0	55	Steel ZP