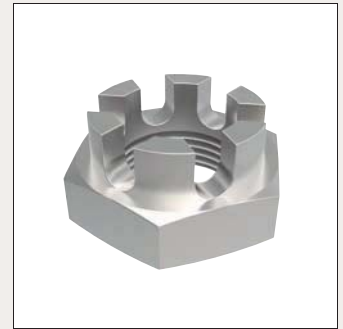
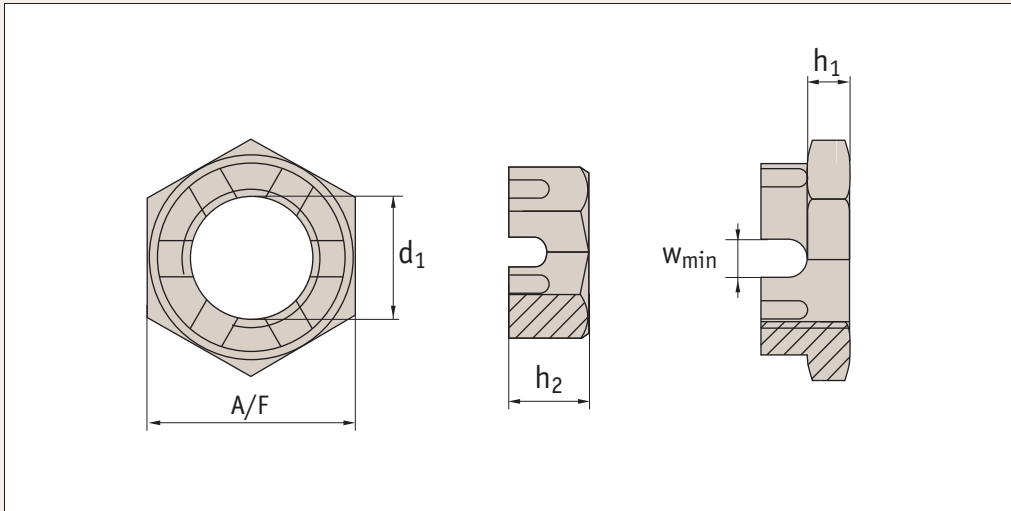


Hexagon Castle Nuts Thin Type

thin type



P0321

Material

Stainless steel (A2 & A4), and steel zinc-plated.

Technical Notes

To DIN 937.

Order No.	d ₁	h ₁	h ₂	w _{min.}	A/F	Material
P0321.060-A2	M 6	3,5	5,70	2,0	10	A2 s/s
P0321.080-A2	M 8	4,5	7,64	2,5	13	A2 s/s
P0312.100-A2	M10	5,0	8,64	2,8	17	A2 s/s
P0321.120-A2	M12	6,0	9,64	3,5	19	A2 s/s
P0321.140-A2	M14	7,0	10,57	3,5	22	A2 s/s
P0321.160-A2	M16	7,0	11,57	4,5	24	A2 s/s
P0321.180-A2	M18	8,0	12,30	4,5	27	A2 s/s
P0321.200-A2	M20	8,0	12,30	4,5	30	A2 s/s
P0321.240-A2	M24	9,0	14,30	5,5	36	A2 s/s
P0321.270-A2	M27	11,0	16,30	5,5	41	A2 s/s
P0321.300-A2	M30	11,0	17,30	7,0	46	A2 s/s
P0321.060-A4	M 6	3,5	5,70	2,0	10	A4 s/s
P0321.080-A4	M 8	4,5	7,64	2,5	13	A4 s/s
P0312.100-A4	M10	5,0	8,64	2,8	17	A4 s/s
P0321.120-A4	M12	6,0	9,64	3,5	19	A4 s/s
P0321.140-A4	M14	7,0	10,57	3,5	22	A4 s/s
P0321.160-A4	M16	7,0	11,57	4,5	24	A4 s/s

Order No.	d ₁	h ₁	h ₂	w _{min.}	A/F	Material
P0321.180-A4	M18	8,0	12,30	4,5	27	A4 s/s
P0321.200-A4	M20	8,0	12,30	4,5	30	A4 s/s
P0321.240-A4	M24	9,0	14,30	5,5	36	A4 s/s
P0321.270-A4	M27	11,0	16,30	5,5	41	A4 s/s
P0321.300-A4	M30	11,0	17,30	7,0	46	A4 s/s
P0321.060-ZP	M 6	3,5	5,70	2,0	10	Steel ZP
P0321.080-ZP	M 8	4,5	7,64	2,5	13	Steel ZP
P0312.100-ZP	M10	5,0	8,64	2,8	17	Steel ZP
P0321.120-ZP	M12	6,0	9,64	3,5	19	Steel ZP
P0321.140-ZP	M14	7,0	10,57	3,5	22	Steel ZP
P0321.160-ZP	M16	7,0	11,57	4,5	24	Steel ZP
P0321.180-ZP	M18	8,0	12,30	4,5	27	Steel ZP
P0321.200-ZP	M20	8,0	12,30	4,5	30	Steel ZP
P0321.240-ZP	M24	9,0	14,30	5,5	36	Steel ZP
P0321.270-ZP	M27	11,0	16,30	5,5	41	Steel ZP
P0321.300-ZP	M30	11,0	17,30	7,0	46	Steel ZP