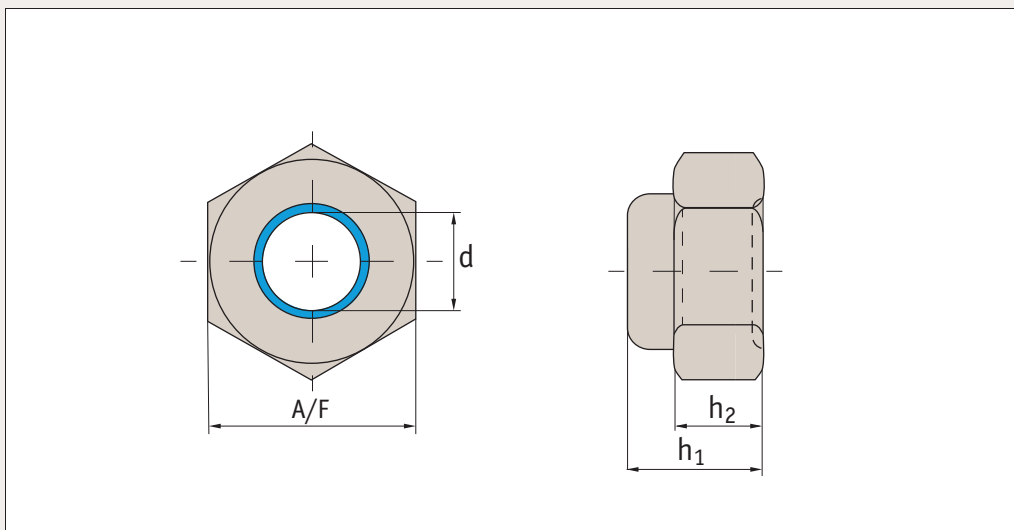


P0315



Material

Stainless steel (A2 & A4), and steel, zinc-plated (class 8).

Technical Notes

To DIN 982.

Order No.	d	h ₁	h ₂	A/F	Material
P0315.040-A2	M 4	6,0	3,6	7	A2 s/s
P0315.050-A2	M 5	6,3	4,4	8	A2 s/s
P0315.060-A2	M 6	8,0	4,9	10	A2 s/s
P0315.080-A2	M 8	9,5	6,4	13	A2 s/s
P0315.100-A2	M10	11,5	8,0	17	A2 s/s
P0315.120-A2	M12	19	14	19	A2 s/s
P0315.140-A2	M14	16	12	22	A2 s/s
P0315.160-A2	M16	18	14	24	A2 s/s
P0315.200-A2	M20	22	17	30	A2 s/s
P0315.240-A2	M24	28	20	36	A2 s/s
P0315.040-A4	M 4	6,0	3,6	7	A4 s/s
P0315.050-A4	M 5	6,3	4,4	8	A4 s/s
P0315.060-A4	M 6	8,0	4,9	10	A4 s/s
P0315.080-A4	M 8	9,5	6,4	13	A4 s/s
P0315.100-A4	M10	11,5	8,0	17	A4 s/s

Order No.	d	h ₁	h ₂	A/F	Material
P0315.120-A4	M12	19	14	19	A4 s/s
P0315.140-A4	M14	16	12	22	A4 s/s
P0315.160-A4	M16	18	14	24	A4 s/s
P0315.200-A4	M20	22	17	30	A4 s/s
P0315.240-A4	M24	28	20	36	A4 s/s
P0315.050-ZP	M 5	6,3	4,4	8	Steel ZP
P0315.060-ZP	M 6	8,0	4,9	10	Steel ZP
P0315.080-ZP	M 8	9,5	6,4	13	Steel ZP
P0315.100-ZP	M10	11,5	8,0	17	Steel ZP
P0315.120-ZP	M12	19	14	19	Steel ZP
P0315.140-ZP	M14	16	12	22	Steel ZP
P0315.160-ZP	M16	18	14	24	Steel ZP
P0315.200-ZP	M20	22	17	30	Steel ZP
P0315.240-ZP	M24	28	20	36	Steel ZP