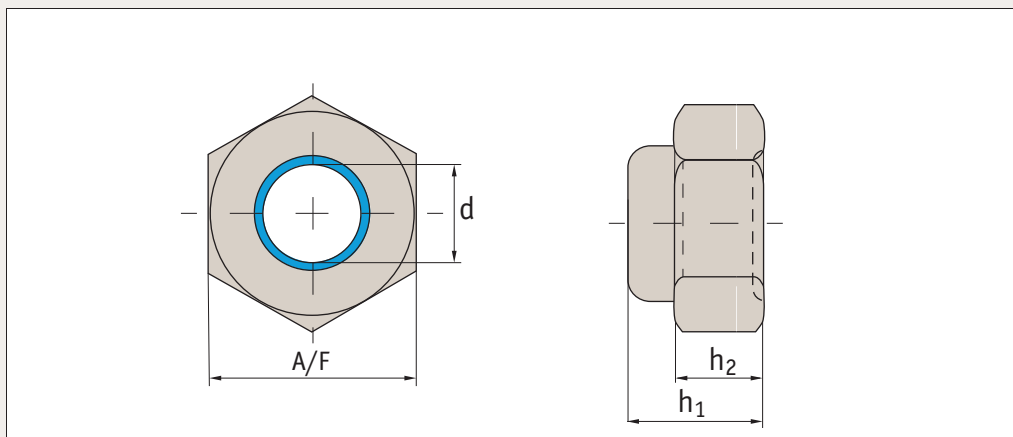


Nylon Insert Nuts

type T

Nuts & Washers



P0314

Material

Stainless steel (A2 & A4), and steel, zinc-plated (class>5).

Technical Notes

To DIN 985.

Order No.	d	h ₁	h ₂	A/F	Material
P0314.025-A2	M 2,5	3,8	2,0	5	A2 s/s
P0314.030-A2	M 3	4,0	2,4	5,5	A2 s/s
P0314.040-A2	M 4	5,0	3,2	7	A2 s/s
P0314.050-A2	M 5	5,0	4,0	8	A2 s/s
P0314.060-A2	M 6	6,0	5,0	10	A2 s/s
P0314.080-A2	M 8	8,0	6,5	13	A2 s/s
P0314.080-100-A2	M 8x1,0	8,0	6,5	13	A2 s/s
P0314.100-A2	M10	10	8,0	17	A2 s/s
P0314.100-100-A2	M10x1,0	10	8,0	17	A2 s/s
P0314.120-A2	M12	12	10	19	A2 s/s
P0314.120-150-A2	M12x1,5	12	10	19	A2 s/s
P0314.140-A2	M14	14	11	22	A2 s/s
P0314.160-A2	M16	16	13	24	A2 s/s
P0314.160-150-A2	M16x1,5	16	13	24	A2 s/s
P0314.180-A2	M18	18,5	15	27	A2 s/s
P0314.200-A2	M20	20	16	30	A2 s/s
P0314.200-150-A2	M20x1,5	20	16	30	A2 s/s
P0314.220-A2	M22	22	18	32	A2 s/s
P0314.240-A2	M24	24	19	36	A2 s/s
P0314.240-150-A2	M24x1,5	24	19	36	A2 s/s
P0314.270-A2	M27	27	22	41	A2 s/s
P0314.300-A2	M30	30	24	46	A2 s/s
P0314.330-A2	M33	33	26	50	A2 s/s
P0314.360-A2	M36	36	29	55	A2 s/s
P0314.025-A4	M 2,5	3,8	2,0	5	A4 s/s
P0314.030-A4	M 3	4,0	2,4	5,5	A4 s/s
P0314.040-A4	M 4	5,0	3,2	7	A4 s/s
P0314.050-A4	M 5	5,0	4,0	8	A4 s/s
P0314.060-A4	M 6	6,0	5,0	10	A4 s/s
P0314.080-A4	M 8	8,0	6,5	13	A4 s/s
P0314.080-100-A4	M 8x1,0	8,0	6,5	13	A4 s/s
P0314.100-A4	M10	10	8,0	17	A4 s/s
P0314.100-100-A4	M10x1,0	10	8,0	17	A4 s/s
P0314.120-A4	M12	12	10	19	A4 s/s
P0314.120-150-A4	M12x1,5	12	10	19	A4 s/s
P0314.140-A4	M14	14	11	22	A4 s/s
P0314.160-A4	M16	16	13	24	A4 s/s

Order No.	d	h ₁	h ₂	A/F	Material
P0314.160-150-A4	M16x1,5	16	13	24	A4 s/s
P0314.180-A4	M18	18,5	15	27	A4 s/s
P0314.200-A4	M20	20	16	30	A4 s/s
P0314.200-150-A4	M20x1,5	20	16	30	A4 s/s
P0314.220-A4	M22	22	18	32	A4 s/s
P0314.240-A4	M24	24	19	36	A4 s/s
P0314.240-150-A4	M24x1,5	24	19	36	A4 s/s
P0314.270-A4	M27	27	22	41	A4 s/s
P0314.300-A4	M30	30	24	46	A4 s/s
P0314.330-A4	M33	33	26	50	A4 s/s
P0314.025-ZP	M 2,5	3,8	2,0	5	Steel ZP
P0314.030-ZP	M 3	4,0	2,4	5,5	Steel ZP
P0314.040-ZP	M 4	5,0	3,2	7	Steel ZP
P0314.050-ZP	M 5	5,0	4,0	8	Steel ZP
P0314.060-ZP	M 6	6,0	5,0	10	Steel ZP
P0314.080-ZP	M 8	8,0	6,5	13	Steel ZP
P0314.080-100-ZP	M 8x1,0	8,0	6,5	13	Steel ZP
P0314.100-ZP	M10	10	8,0	17	Steel ZP
P0314.100-100-ZP	M10x1,0	10	8,0	17	Steel ZP
P0314.100-125-ZP	M10x1,25	10	8,0	17	Steel ZP
P0314.120-ZP	M12	12	10	19	Steel ZP
P0314.120-125-ZP	M12x1,25	12	10	19	Steel ZP
P0314.120-150-ZP	M12x1,5	12	10	19	Steel ZP
P0314.140-ZP	M14	14	11	22	Steel ZP
P0314.140-150-ZP	M14x1,5	14	11	22	Steel ZP
P0314.160-ZP	M16	16	13	24	Steel ZP
P0314.160-150-ZP	M16x1,5	16	13	24	Steel ZP
P0314.180-ZP	M18	18,5	15	27	Steel ZP
P0314.180-150-ZP	M18x1,5	18,5	15	27	Steel ZP
P0314.200-ZP	M20	20	16	30	Steel ZP
P0314.200-150-ZP	M20x1,5	20	16	30	Steel ZP
P0314.200-200-ZP	M20x2,0	20	16	30	Steel ZP
P0314.220-ZP	M22	22	18	32	Steel ZP
P0314.220-150-ZP	M22x1,5	22	18	32	Steel ZP
P0314.240-ZP	M24	24	19	36	Steel ZP
P0314.240-150-ZP	M24x1,5	24	19	36	Steel ZP