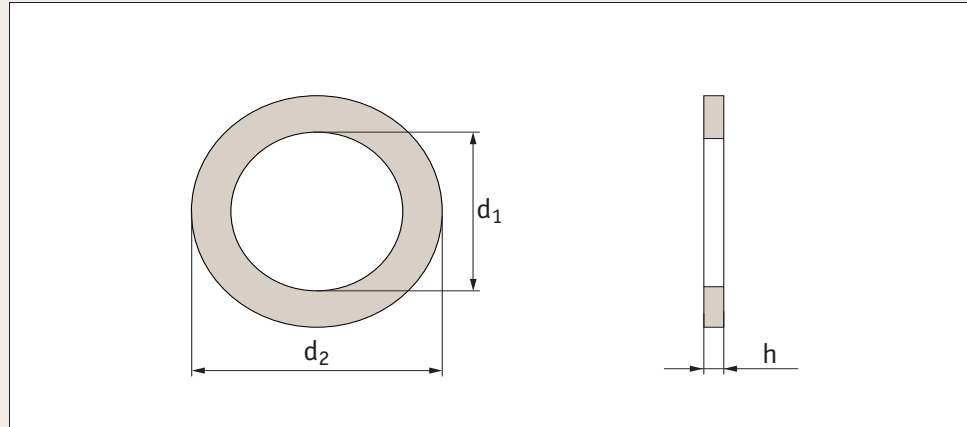


P0342



Material

Stainless steel (A2, AISI 303).

Technical Notes

To DIN 988.

Order No.	d ₁ D12	d ₂ d12	h _{-.05}
P0342.03-06-01	3,0	6,0	0,1
P0342.03-06-02	3,0	6,0	0,2
P0342.03-06-03	3,0	6,0	0,3
P0342.03-06-04	3,0	6,0	0,4
P0342.03-06-05	3,0	6,0	0,5
P0342.04-08-01	4,0	8,0	0,1
P0342.04-08-02	4,0	8,0	0,2
P0342.04-08-03	4,0	8,0	0,3
P0342.04-08-05	4,0	8,0	0,5
P0342.04-08-10	4,0	8,0	1,0
P0342.05-10-01	5,0	10,0	0,1
P0342.05-10-02	5,0	10,0	0,2
P0342.05-10-03	5,0	10,0	0,3
P0342.05-10-05	5,0	10,0	0,5
P0342.05-10-10	5,0	10,0	1,0
P0342.06-12-01	6,0	12,0	0,2
P0342.06-12-02	6,0	12,0	0,2
P0342.06-12-03	6,0	12,0	0,5
P0342.06-12-05	6,0	12,0	0,5
P0342.06-12-10	6,0	12,0	1,0
P0342.08-14-01	8,0	14,0	0,1
P0342.08-14-02	8,0	14,0	0,2
P0342.08-14-03	8,0	14,0	0,3
P0342.08-14-05	8,0	14,0	0,5
P0342.08-14-10	8,0	14,0	1,0
P0342.10-16-01	10,0	16,0	0,1
P0342.10-16-02	10,0	16,0	0,2
P0342.10-16-05	10,0	16,0	0,5
P0342.10-16-10	10,0	16,0	1,0
P0342.10-16-03	10,0	16,0	0,3
P0342.12-18-01	12,0	18,0	0,1

Order No.	d ₁ D12	d ₂ d12	h _{-.05}
P0342.12-18-02	12,0	18,0	0,2
P0342.12-18-03	12,0	18,0	0,3
P0342.12-18-05	12,0	18,0	0,5
P0342.12-18-10	12,0	18,0	1,0
P0342.14-20-01	14,0	20,0	0,1
P0342.14-20-02	14,0	20,0	0,2
P0342.14-20-03	14,0	20,0	0,3
P0342.14-20-05	14,0	20,0	0,5
P0342.14-20-10	14,0	20,0	1,0
P0342.16-22-01	16,0	22,0	0,1
P0342.16-22-02	16,0	22,0	0,2
P0342.16-22-03	16,0	22,0	0,3
P0342.16-22-05	16,0	22,0	0,5
P0342.16-22-10	16,0	22,0	1,0
P0342.18-25-02	18,0	25,0	0,2
P0342.18-25-03	18,0	25,0	0,3
P0342.18-25-10	18,0	25,0	1,0
P0342.20-28-01	20,0	28,0	0,1
P0342.20-28-02	20,0	28,0	0,2
P0342.20-28-03	20,0	28,0	0,3
P0342.20-28-05	20,0	28,0	0,5
P0342.20-28-10	20,0	28,0	1,0
P0342.25-35-01	25,0	35,0	0,1
P0342.25-35-02	25,0	35,0	0,2
P0342.25-35-03	25,0	35,0	0,3
P0342.25-35-05	25,0	35,0	0,5
P0342.25-35-10	25,0	35,0	1,0
P0342.30-42-01	30,0	42,0	0,1
P0342.30-42-05	30,0	42,0	0,5
P0342.30-42-10	30,0	42,0	1,0