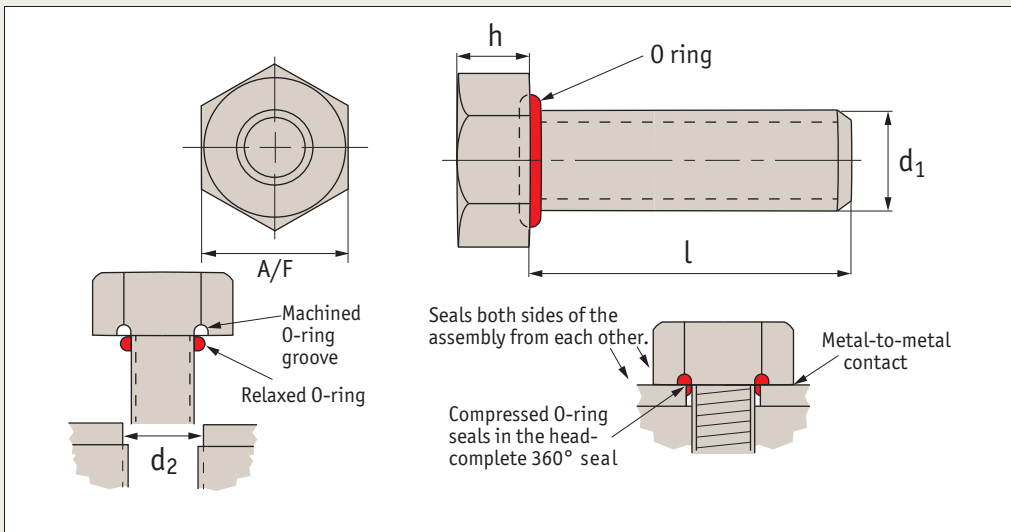


Integral Seal Bolts

hexagon head

Sealing Screws



P0176

Material

Stainless steel (A2 AISI 303 or A4 AISI 316), with silicone "O" ring as standard.

For other "O" ring materials see technical data pages (-FS = fluorosilicone, -EP = EPDM, -VI = viton, -NI = nitrile, -BN = Buna etc.).

Other thread lengths on request.

Technical Notes

Re-useable. Clearance holes recommended for maximum sealing.

Seals substances in and contaminants out.

Max temperature range: -100°C to +260°C.

Pressure range - up to 410 bar (6000 psi).

Also available (on request) with thread-locking.

Tips

Clearance holes recommended for maximum sealing performance (see dimensions below).

Clearance hole depth 2-3 x thread pitch.

Threads are metric coarse pitch.

Order No.	d ₁	l	A/F	h _{1max.}	d ₂ ±0.05	Material
P0176.020-004-A2	M 2	4	4,0	1,6	2,35	A2 s/s
P0176.020-008-A2	M 2	8	4,0	1,6	2,35	A2 s/s
P0176.020-010-A2	M 2	10	4,0	1,6	2,35	A2 s/s
P0176.020-012-A2	M 2	12	4,0	1,6	2,35	A2 s/s
P0176.020-020-A2	M 2	20	4,0	1,6	2,35	A2 s/s
P0176.030-006-A2	M 3	6	5,5	2,2	3,6	A2 s/s
P0176.030-008-A2	M 3	8	5,5	2,2	3,6	A2 s/s
P0176.030-010-A2	M 3	10	5,5	2,2	3,6	A2 s/s
P0176.030-012-A2	M 3	12	5,5	2,2	3,6	A2 s/s
P0176.030-020-A2	M 3	20	5,5	2,2	3,6	A2 s/s
P0176.040-006-A2	M 4	6	7,0	3,0	4,5	A2 s/s
P0176.040-008-A2	M 4	8	7,0	3,0	4,5	A2 s/s
P0176.040-010-A2	M 4	10	7,0	3,0	4,5	A2 s/s
P0176.040-012-A2	M 4	12	7,0	3,0	4,5	A2 s/s
P0176.040-016-A2	M 4	16	7,0	3,0	4,5	A2 s/s
P0176.040-020-A2	M 4	20	7,0	3,0	4,5	A2 s/s
P0176.050-008-A2	M 5	8	8,0	3,7	5,6	A2 s/s
P0176.050-010-A2	M 5	10	8,0	3,7	5,6	A2 s/s
P0176.050-012-A2	M 5	12	8,0	3,7	5,6	A2 s/s
P0176.050-016-A2	M 5	16	8,0	3,7	5,6	A2 s/s
P0176.050-020-A2	M 5	20	8,0	3,7	5,6	A2 s/s

Order No.	d ₁	l	A/F	h _{1max.}	d ₂ ±0.05	Material
P0176.060-012-A2	M 6	12	10,0	4,2	6,8	A2 s/s
P0176.060-016-A2	M 6	16	10,0	4,2	6,8	A2 s/s
P0176.060-020-A2	M 6	20	10,0	4,2	6,8	A2 s/s
P0176.060-025-A2	M 6	25	10,0	4,2	6,8	A2 s/s
P0176.060-030-A2	M 6	30	10,0	4,2	6,8	A2 s/s
P0176.080-012-A2	M 8	12	13,0	5,5	8,5	A2 s/s
P0176.080-016-A2	M 8	16	13,0	5,5	8,5	A2 s/s
P0176.080-020-A2	M 8	20	13,0	5,5	8,5	A2 s/s
P0176.080-025-A2	M 8	25	13,0	5,5	8,5	A2 s/s
P0176.080-030-A2	M 8	30	13,0	5,5	8,5	A2 s/s
P0176.080-040-A2	M 8	40	13,0	5,5	8,5	A2 s/s
P0176.100-016-A2	M10	16	16,0	6,6	10,6	A2 s/s
P0176.100-020-A2	M10	20	16,0	6,6	10,6	A2 s/s
P0176.100-025-A2	M10	25	16,0	6,6	10,6	A2 s/s
P0176.100-030-A2	M10	30	16,0	6,6	10,6	A2 s/s
P0176.100-040-A2	M10	40	16,0	6,6	10,6	A2 s/s
P0176.100-050-A2	M10	50	16,0	6,6	10,6	A2 s/s
P0176.120-020-A2	M12	20	18,0	7,7	12,85	A2 s/s
P0176.120-025-A2	M12	25	18,0	7,7	12,85	A2 s/s
P0176.120-030-A2	M12	30	18,0	7,7	12,85	A2 s/s
P0176.120-040-A2	M12	40	18,0	7,7	12,85	A2 s/s
P0176.120-050-A2	M12	50	18,0	7,7	12,85	A2 s/s

Order No.	d ₁	l	A/F	h _{1max.}	d ₂ ±0.05	Material
P0176.020-004-A4	M 2	4	4,0	1,6	2,35	A4 s/s
P0176.020-008-A4	M 2	8	4,0	1,6	2,35	A4 s/s
P0176.020-010-A4	M 2	10	4,0	1,6	2,35	A4 s/s
P0176.020-012-A4	M 2	12	4,0	1,6	2,35	A4 s/s
P0176.020-020-A4	M 2	20	4,0	1,6	2,35	A4 s/s
P0176.030-006-A4	M 3	6	5,5	2,2	3,6	A4 s/s
P0176.030-008-A4	M 3	8	5,5	2,2	3,6	A4 s/s
P0176.030-010-A4	M 3	10	5,5	2,2	3,6	A4 s/s
P0176.030-012-A4	M 3	12	5,5	2,2	3,6	A4 s/s
P0176.030-020-A4	M 3	20	5,5	2,2	3,6	A4 s/s
P0176.040-006-A4	M 4	6	7,0	3,0	4,5	A4 s/s
P0176.040-008-A4	M 4	8	7,0	3,0	4,5	A4 s/s
P0176.040-010-A4	M 4	10	7,0	3,0	4,5	A4 s/s
P0176.040-012-A4	M 4	12	7,0	3,0	4,5	A4 s/s
P0176.040-016-A4	M 4	16	7,0	3,0	4,5	A4 s/s
P0176.040-020-A4	M 4	20	7,0	3,0	4,5	A4 s/s
P0176.050-008-A4	M 5	8	8,0	3,7	5,6	A4 s/s
P0176.050-010-A4	M 5	10	8,0	3,7	5,6	A4 s/s
P0176.050-012-A4	M 5	12	8,0	3,7	5,6	A4 s/s
P0176.050-016-A4	M 5	16	8,0	3,7	5,6	A4 s/s
P0176.050-020-A4	M 5	20	8,0	3,7	5,6	A4 s/s

Order No.	d ₁	l	A/F	h _{1max.}	d ₂ ±0.05	Material
P0176.060-012-A4	M 6	12	10,0	4,2	6,8	A4 s/s
P0176.060-016-A4	M 6	16	10,0	4,2	6,8	A4 s/s
P0176.060-020-A4	M 6	20	10,0	4,2	6,8	A4 s/s
P0176.060-025-A4	M 6	25	10,0	4,2	6,8	A4 s/s
P0176.060-030-A4	M 6	30	10,0	4,2	6,8	A4 s/s
P0176.080-012-A4	M 8	12	13,0	5,5	8,5	A4 s/s
P0176.080-016-A4	M 8	16	13,0	5,5	8,5	A4 s/s
P0176.080-020-A4	M 8	20	13,0	5,5	8,5	A4 s/s
P0176.080-025-A4	M 8	25	13,0	5,5	8,5	A4 s/s
P0176.080-030-A4	M 8	30	13,0	5,5	8,5	A4 s/s
P0176.080-040-A4	M 8	40	13,0	5,5	8,5	A4 s/s
P0176.100-016-A4	M10	16	16,0	6,6	10,6	A4 s/s
P0176.100-020-A4	M10	20	16,0	6,6	10,6	A4 s/s
P0176.100-025-A4	M10	25	16,0	6,6	10,6	A4 s/s
P0176.100-030-A4	M10	30	16,0	6,6	10,6	A4 s/s
P0176.100-040-A4	M10	40	16,0	6,6	10,6	A4 s/s
P0176.100-050-A4	M10	50	16,0	6,6	10,6	A4 s/s
P0176.120-020-A4	M12	20	18,0	7,7	12,85	A4 s/s
P0176.120-025-A4	M12	25	18,0	7,7	12,85	A4 s/s
P0176.120-030-A4	M12	30	18,0	7,7	12,85	A4 s/s
P0176.120-040-A4	M12	40	18,0	7,7	12,85	A4 s/s
P0176.120-050-A2	M12	50	18,0	7,7	12,85	A4 s/s