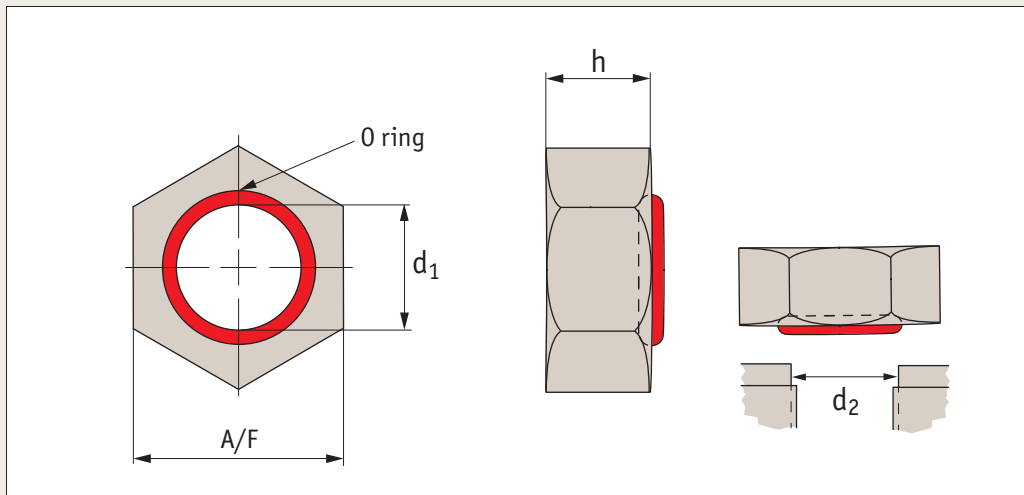


P0178



Material

Stainless steel (A2 , AISI 303), with silicone "O" ring as standard.

For other "O" ring materials see technical data pages (-FS = fluorosilicone, -EP = EPDM, -VI = viton, -NI = nitrile, -BN = Buna etc.).

Technical Notes

Seals substances in and contaminants out. Re-useable.
Max temperature range: -100°C to +260°C.
Pressure range - up to 410 bar (6000 psi).

Tips

Clearance holes recommended for maximum sealing performance (see dimensions below).
Clearance hole depth 2-3 x thread pitch (h_2).
Threads are metric coarse pitch.

Order No.	d_1	$h_{max.}$	A/F	d_2 <small>±0.05</small>	Material
P0178.020-A2-SI	M 2	1,6	4	2,35	A2 s/s
P0178.025-A2-SI	M2,5	2,0	5	2,75	A2 s/s
P0178.030-A2-SI	M 3	2,4	5,5	3,6	A2 s/s
P0178.040-A2-SI	M 4	3,2	7	4,5	A2 s/s
P0178.050-A2-SI	M 5	4,7	8	5,6	A2 s/s
P0178.060-A2-SI	M 6	5,2	10	6,8	A2 s/s
P0178.080-A2-SI	M 8	6,8	13	8,5	A2 s/s
P0178.100-A2-SI	M10	8,4	16	10,6	A2 s/s
P0178.120-A2-SI	M12	10,8	18	12,85	A2 s/s
P0178.140-A2-SI	M14	12,8	21	15,1	A2 s/s
P0178.160-A2-SI	M16	14,8	24	17,5	A2 s/s
P0178.020-A4-SI	M 2	1,6	4	2,35	A4 s/s
P0178.025-A4-SI	M2,5	2,0	5	2,75	A4 s/s
P0178.030-A4-SI	M 3	2,4	5,5	3,6	A4 s/s
P0178.040-A4-SI	M 4	3,2	7	4,5	A4 s/s
P0178.050-A4-SI	M 5	4,7	8	5,6	A4 s/s
P0178.060-A4-SI	M 6	5,2	10	6,8	A4 s/s
P0178.080-A4-SI	M 8	6,8	13	8,5	A4 s/s
P0178.100-A4-SI	M10	8,4	16	10,6	A4 s/s
P0178.120-A4-SI	M12	10,8	18	12,85	A4 s/s
P0178.140-A4-SI	M14	12,8	21	15,1	A4 s/s
P0178.160-A4-SI	M16	14,8	24	17,5	A4 s/s