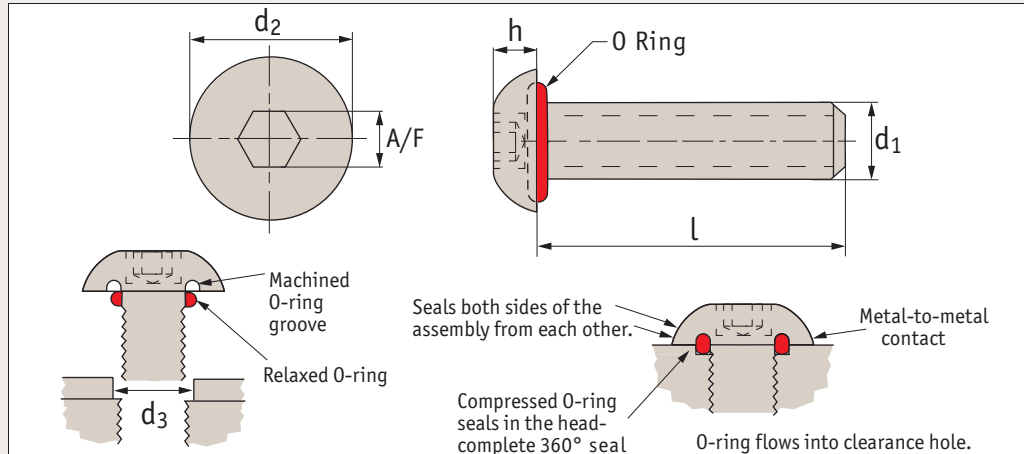




P0174



Material

Stainless steel (A2 AISI 303 and A4 AISI 316), with silicone "O" ring as standard.

For other "O" ring materials see technical data pages (-FS = fluorosilicone, -EP = EPDM, -VI = viton, -NI = nitrile, -BN = Buna etc.).

Other thread lengths on request.

Technical Notes

Screws generally as ISO 7380.

Seals substances in and contaminants out.

Re-useable. Clearance holes recommended for maximum

sealing.

Max temperature range: -100°C to +260°C.

Pressure range - up to 410 bar (6000 psi).

Also available (on request) with thread-locking.

Tips

Clearance holes recommended for maximum sealing performance (see dimensions below).

Clearance hole depth 2-3 x thread pitch.

Threads are metric coarse pitch.

Order No.	d ₁	l	h _{1 max.}	d _{2 max.}	A/F	d ₃ ±0.05
P0174.030-006-A2	M 3	6	3,0	5,7	2,5	3,6
P0174.030-008-A2	M 3	8	3,0	5,7	2,5	3,6
P0174.030-010-A2	M 3	10	3,0	5,7	2,5	3,6
P0174.030-012-A2	M 3	12	3,0	5,7	2,5	3,6
P0174.030-020-A2	M 3	20	3,0	5,7	2,5	3,6
P0174.040-006-A2	M 4	6	4,0	7,6	3,0	4,5
P0174.040-008-A2	M 4	8	4,0	7,6	3,0	4,5
P0174.040-010-A2	M 4	10	4,0	7,6	3,0	4,5
P0174.040-012-A2	M 4	12	4,0	7,6	3,0	4,5
P0174.040-016-A2	M 4	16	4,0	7,6	3,0	4,5
P0174.040-020-A2	M 4	20	4,0	7,6	3,0	4,5
P0174.050-008-A2	M 5	8	5,0	9,5	4,0	5,6
P0174.050-010-A2	M 5	10	5,0	9,5	4,0	5,6
P0174.050-012-A2	M 5	12	5,0	9,5	4,0	5,6
P0174.050-016-A2	M 5	16	5,0	9,5	4,0	5,6
P0174.050-020-A2	M 5	20	5,0	9,5	4,0	5,6
P0174.060-012-A2	M 6	12	6,0	10,5	5,0	6,8
P0174.060-016-A2	M 6	16	6,0	10,5	5,0	6,8
P0174.060-020-A2	M 6	20	6,0	10,5	5,0	6,8
P0174.060-025-A2	M 6	25	6,0	10,5	5,0	6,8
P0174.060-030-A2	M 6	30	6,0	10,5	5,0	6,8
P0174.080-012-A2	M 8	12	8,0	14,0	6,0	8,5
P0174.080-016-A2	M 8	16	8,0	14,0	6,0	8,5

Order No.	d ₁	l	h _{1 max.}	d _{2 max.}	A/F	d ₃ ±0.05
P0174.080-020-A2	M 8	20	8,0	14,0	6,0	8,5
P0174.080-025-A2	M 8	25	8,0	14,0	6,0	8,5
P0174.080-030-A2	M 8	30	8,0	14,0	6,0	8,5
P0174.100-016-A2	M10	16	10,0	17,5	8,0	10,6
P0174.100-020-A2	M10	20	10,0	17,5	8,0	10,6
P0174.100-025-A2	M10	25	10,0	17,5	8,0	10,6
P0174.100-030-A2	M10	30	10,0	17,5	8,0	10,6
P0174.100-040-A2	M10	40	10,0	17,5	8,0	10,6
P0174.120-020-A2	M12	20	12,0	21,0	10,0	12,85
P0174.120-025-A2	M12	25	12,0	21,0	10,0	12,85
P0174.120-030-A2	M12	30	12,0	21,0	10,0	12,85
P0174.120-040-A2	M12	40	12,0	21,0	10,0	12,85
P0174.120-050-A2	M12	50	12,0	21,0	10,0	12,85
P0174.030-006-A2	M 3	6	3,0	5,7	2,5	3,6
P0174.030-008-A4	M 3	8	3,0	5,7	2,5	3,6
P0174.030-010-A4	M 3	10	3,0	5,7	2,5	3,6
P0174.030-012-A4	M 3	12	3,0	5,7	2,5	3,6
P0174.030-020-A4	M 3	20	3,0	5,7	2,5	3,6
P0174.040-006-A4	M 4	6	4,0	7,6	3,0	4,5
P0174.040-008-A4	M 4	8	4,0	7,6	3,0	4,5
P0174.040-010-A4	M 4	10	4,0	7,6	3,0	4,5
P0174.040-012-A4	M 4	12	4,0	7,6	3,0	4,5
P0174.040-016-A4	M 4	16	4,0	7,6	3,0	4,5

Button Head Seal Screws

hex. socket

Sealing
Screws

Order No.	d ₁	l	h _{1 max.}	d _{2 max.}	A/F	d ₃ ±0.05
P0174.040-020-A4	M 4	20	4,0	7,6	3,0	4,5
P0174.050-008-A4	M 5	8	5,0	9,5	4,0	5,6
P0174.050-010-A4	M 5	10	5,0	9,5	4,0	5,6
P0174.050-012-A4	M 5	12	5,0	9,5	4,0	5,6
P0174.050-016-A4	M 5	16	5,0	9,5	4,0	5,6
P0174.050-020-A4	M 5	20	5,0	9,5	4,0	5,6
P0174.060-012-A4	M 6	12	6,0	10,5	5,0	6,8
P0174.060-016-A4	M 6	16	6,0	10,5	5,0	6,8
P0174.060-020-A4	M 6	20	6,0	10,5	5,0	6,8
P0174.060-025-A4	M 6	25	6,0	10,5	5,0	6,8
P0174.060-030-A4	M 6	30	6,0	10,5	5,0	6,8
P0174.080-012-A4	M 8	12	8,0	14,0	6,0	8,5
P0174.080-016-A4	M 8	16	8,0	14,0	6,0	8,5

Order No.	d ₁	l	h _{1 max.}	d _{2 max.}	A/F	d ₃ ±0.05
P0174.080-020-A4	M 8	20	8,0	14,0	6,0	8,5
P0174.080-025-A4	M 8	25	8,0	14,0	6,0	8,5
P0174.080-030-A4	M 8	30	8,0	14,0	6,0	8,5
P0174.100-016-A4	M10	16	10,0	17,5	8,0	10,6
P0174.100-020-A4	M10	20	10,0	17,5	8,0	10,6
P0174.100-025-A4	M10	25	10,0	17,5	8,0	10,6
P0174.100-030-A4	M10	30	10,0	17,5	8,0	10,6
P0174.100-040-A4	M10	40	10,0	17,5	8,0	10,6
P0174.120-020-A4	M12	20	12,0	21,0	10,0	12,85
P0174.120-025-A4	M12	25	12,0	21,0	10,0	12,85
P0174.120-030-A4	M12	30	12,0	21,0	10,0	12,85
P0174.120-040-A4	M12	40	12,0	21,0	10,0	12,85
P0174.120-050-A4	M12	50	12,0	21,0	10,0	12,85