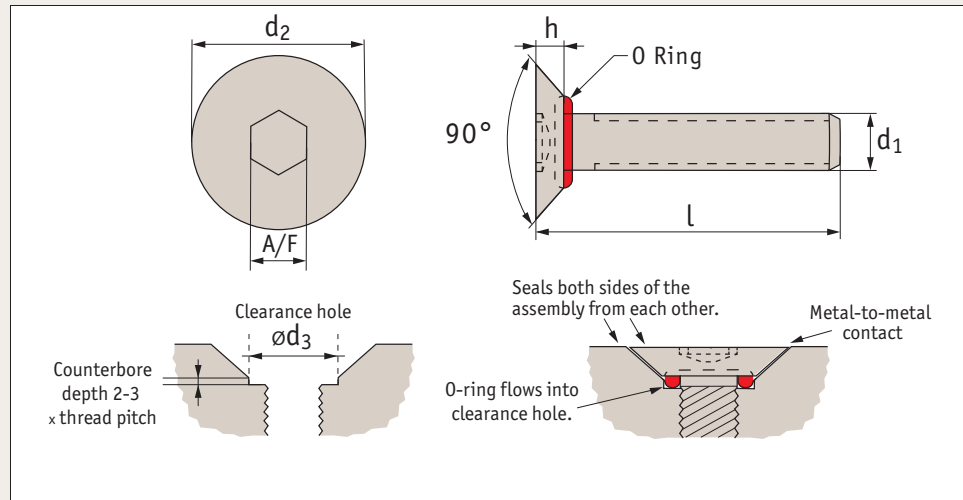




## P0175



### Material

Stainless steel (A2 , AISI 303), with silicone "O" ring as standard.

For other "O" ring materials see technical data pages (-FS = fluorosilicone, -EP = EPDM, -VI = viton, -NI = nitrile, -BN = Buna etc.).

Other thread lengths, and stainless steel A4 (AISI 316) on request.

### Technical Notes

Screws generally as DIN 7991, ISO 10642.

Seals substances in and contaminants out.

Re-useable. Clearance holes recommended for maximum sealing.

Max temperature range: -100°C to +260°C.

Pressure range - up to 410 bar (6000 psi).

Also available (on request) with thread-locking.

### Tips

Clearance holes recommended for maximum sealing performance (see dimensions below).

Clearance hole depth 2-3 x thread pitch.

Threads are metric coarse pitch.

Order No.	d <sub>1</sub>	l	h	d <sub>2</sub>	A/F	d <sub>3</sub> ±0.05
P0175.030-006-SI	M 3	6	1,86	6,72	2,5	3,6
P0175.030-008-SI	M 3	8	1,86	6,72	2,5	3,6
P0175.030-010-SI	M 3	10	1,86	6,72	2,5	3,6
P0175.030-012-SI	M 3	12	1,86	6,72	2,5	3,6
P0175.030-020-SI	M 3	20	1,86	6,72	2,5	3,6
P0175.040-006-SI	M 4	6	2,48	8,96	3,0	4,5
P0175.040-008-SI	M 4	8	2,48	8,96	3,0	4,5
P0175.040-010-SI	M 4	10	2,48	8,96	3,0	4,5
P0175.040-012-SI	M 4	12	2,48	8,96	3,0	4,5
P0175.040-016-SI	M 4	16	2,48	8,96	3,0	4,5
P0175.040-020-SI	M 4	20	2,48	8,96	3,0	4,5
P0175.050-008-SI	M 5	8	3,10	11,20	4,0	5,6
P0175.050-010-SI	M 5	10	3,10	11,20	4,0	5,6
P0175.050-012-SI	M 5	12	3,10	11,20	4,0	5,6
P0175.050-016-SI	M 5	16	3,10	11,20	4,0	5,6
P0175.050-020-SI	M 5	20	3,10	11,20	4,0	5,6

Order No.	d <sub>1</sub>	l	h	d <sub>2</sub>	A/F	d <sub>3</sub> ±0.05
P0175.060-012-SI	M 6	12	3,72	13,44	5,0	6,8
P0175.060-016-SI	M 6	16	3,72	13,44	5,0	6,8
P0175.060-020-SI	M 6	20	3,72	13,44	5,0	6,8
P0175.060-025-SI	M 6	25	3,72	13,44	5,0	6,8
P0175.060-030-SI	M 6	30	3,72	13,44	5,0	6,8
P0175.080-012-SI	M 8	12	4,96	17,92	6,0	8,5
P0175.080-016-SI	M 8	16	4,96	17,92	6,0	8,5
P0175.080-020-SI	M 8	20	4,96	17,92	6,0	8,5
P0175.080-025-SI	M 8	25	4,96	17,92	6,0	8,5
P0175.080-030-SI	M 8	30	4,96	17,92	6,0	8,5
P0175.100-016-SI	M10	16	6,2	22,4	8,0	10,6
P0175.100-020-SI	M10	20	6,2	22,4	8,0	10,6
P0175.100-025-SI	M10	25	6,2	22,4	8,0	10,6
P0175.100-030-SI	M10	30	6,2	22,4	8,0	10,6
P0175.100-040-SI	M10	40	6,2	22,4	8,0	10,6