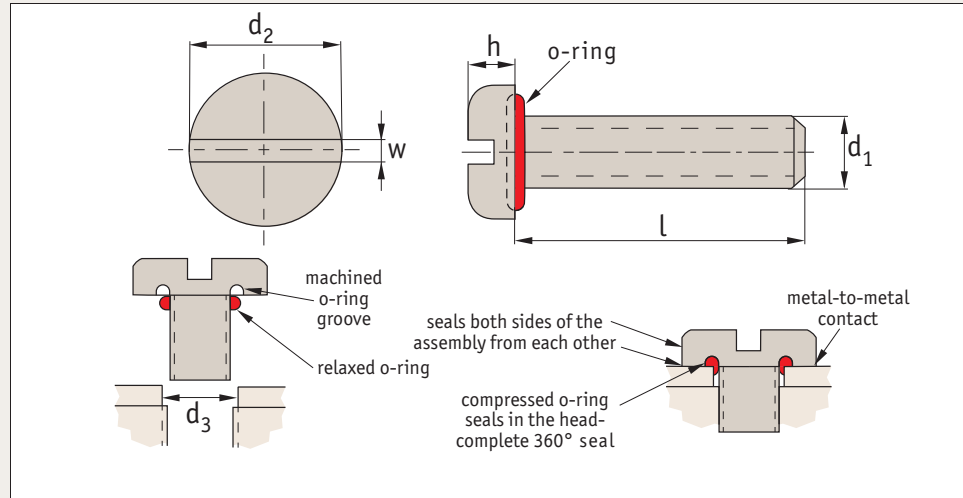




P0171



Material

Stainless steel (A2 , AISI 303), with silicone "O" ring as standard.

For other "O" ring materials see technical data pages (-FS = fluorosilicone, -EP = EPDM, -VI = viton, -NI = nitrile, -BN = Buna etc.).

Other thread lengths, and stainless steel A4 (AISI 316) on request.

Technical Notes

Screws generally as DIN 85 A, ISO 1580, seals substances in and contaminants out.

Re-useable. Clearance holes recommended for maximum sealing.

Max temperature range: -100°C to +260°C, pressure range - up to 410 bar (6000 psi).

Also available (on request) with thread-locking.

Tips

Clearance holes recommended for maximum sealing performance (see dimensions below).

Clearance hole depth 2-3 x thread pitch, threads are metric coarse pitch.

Order No.	d ₁	l	w	h _{max.}	d _{2 max.}	d ₃ ±0.05
P0171.020-004-SI	M 2	4	0,7	1,3	4,0	2,35
P0171.020-008-SI	M 2	8	0,7	1,3	4,0	2,35
P0171.020-010-SI	M 2	10	0,7	1,3	4,0	2,35
P0171.020-012-SI	M 2	12	0,7	1,3	4,0	2,35
P0171.025-006-SI	M2,5	6	0,8	1,5	5,0	2,75
P0171.025-008-SI	M2,5	8	0,8	1,5	5,0	2,75
P0171.025-010-SI	M2,5	10	0,8	1,5	5,0	2,75
P0171.025-012-SI	M2,5	12	0,8	1,5	5,0	2,75
P0171.030-006-SI	M 3	6	1,0	1,8	6,0	3,6
P0171.030-008-SI	M 3	8	1,0	1,8	6,0	3,6
P0171.030-010-SI	M 3	10	1,0	1,8	6,0	3,6
P0171.030-012-SI	M 3	12	1,0	1,8	6,0	3,6
P0171.030-020-SI	M 3	20	1,0	1,8	6,0	3,6
P0171.040-006-SI	M 4	6	1,4	2,4	8,0	4,5
P0171.040-008-SI	M 4	8	1,4	2,4	8,0	4,5
P0171.040-010-SI	M 4	10	1,4	2,4	8,0	4,5
P0171.040-012-SI	M 4	12	1,4	2,4	8,0	4,5
P0171.040-016-SI	M 4	16	1,4	2,4	8,0	4,5
P0171.040-020-SI	M 4	20	1,4	2,4	8,0	4,5
P0171.050-008-SI	M 5	8	1,6	3,0	10,0	5,6

Order No.	d ₁	l	w	h _{max.}	d _{2 max.}	d ₃ ±0.05
P0171.050-010-SI	M 5	10	1,6	3,0	10,0	5,6
P0171.050-012-SI	M 5	12	1,6	3,0	10,0	5,6
P0171.050-016-SI	M 5	16	1,6	3,0	10,0	5,6
P0171.050-020-SI	M 5	20	1,6	3,0	10,0	5,6
P0171.060-012-SI	M 6	12	2,0	3,6	12,0	6,8
P0171.060-016-SI	M 6	16	2,0	3,6	12,0	6,8
P0171.060-020-SI	M 6	20	2,0	3,6	12,0	6,8
P0171.060-025-SI	M 6	25	2,0	3,6	12,0	6,8
P0171.060-030-SI	M 6	30	2,0	3,6	12,0	6,8
P0171.080-012-SI	M 8	12	2,5	4,8	16,0	8,5
P0171.080-016-SI	M 8	16	2,5	4,8	16,0	8,5
P0171.080-020-SI	M 8	20	2,5	4,8	16,0	8,5
P0171.080-025-SI	M 8	25	2,5	4,8	16,0	8,5
P0171.080-030-SI	M 8	30	2,5	4,8	16,0	8,5
P0171.100-016-SI	M10	16	3,0	6,0	20,0	10,6
P0171.100-020-SI	M10	20	3,0	6,0	20,0	10,6
P0171.100-025-SI	M10	25	3,0	6,0	20,0	10,6
P0171.100-030-SI	M10	30	3,0	6,0	20,0	10,6
P0171.100-040-SI	M10	40	3,0	6,0	20,0	10,6