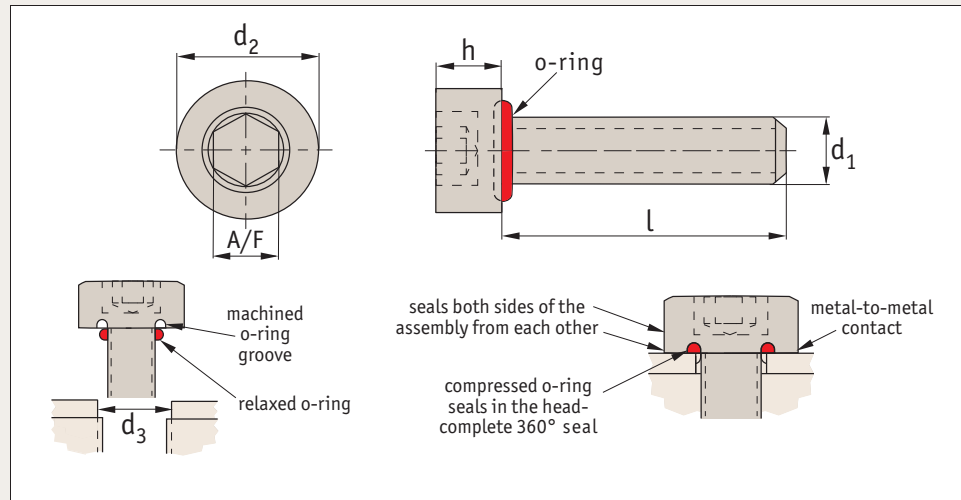




## P0173



### Material

Stainless steel (A2 AISI 303 and A4 AISI 316), with silicone "O" ring as standard.

For other "O" ring materials see technical data pages (-FS = fluorosilicone, -EP = EPDM, -VI = viton, -NI = nitrile, -BN = Buna etc.).

Other thread lengths on request.

### Technical Notes

Screws generally as DIN 912, seals substances in and contaminants out

Re-useable, clearance holes recommended for maximum

sealing.

Max temperature range: -100°C to +260°C, pressure range - up to 410 bar (6000 psi).

Also available (on request) with thread-locking.

### Tips

Clearance holes recommended for maximum sealing performance (see dimensions below).

Clearance hole depth 2-3 x thread pitch, threads are metric coarse pitch.

Order No.	d <sub>1</sub>	l	h max.	d <sub>2</sub> max.	A/F	d <sub>3</sub> ±0.05	Material
P0173.020-004-A2	M 2	4	2,0	3,8	1,5	2,35	A2 s/s
P0173.020-008-A2	M 2	8	2,0	3,8	1,5	2,35	A2 s/s
P0173.020-010-A2	M 2	10	2,0	3,8	1,5	2,35	A2 s/s
P0173.020-012-A2	M 2	12	2,0	3,8	1,5	2,35	A2 s/s
P0173.025-006-A2	M2,5	6	2,5	4,7	2,0	2,75	A2 s/s
P0173.025-008-A2	M2,5	8	2,5	4,7	2,0	2,75	A2 s/s
P0173.025-010-A2	M2,5	10	2,5	4,7	2,0	2,75	A2 s/s
P0173.025-012-A2	M2,5	12	2,5	4,7	2,0	2,75	A2 s/s
P0173.030-006-A2	M 3	6	3,0	5,5	2,5	3,6	A2 s/s
P0173.030-008-A2	M 3	8	3,0	5,5	2,5	3,6	A2 s/s
P0173.030-010-A2	M 3	10	3,0	5,5	2,5	3,6	A2 s/s
P0173.030-012-A2	M 3	12	3,0	5,5	2,5	3,6	A2 s/s
P0173.030-020-A2	M 3	20	3,0	5,5	2,5	3,6	A2 s/s
P0173.040-006-A2	M 4	6	4,0	7,0	3,0	4,5	A2 s/s
P0173.040-008-A2	M 4	8	4,0	7,0	3,0	4,5	A2 s/s
P0173.040-010-A2	M 4	10	4,0	7,0	3,0	4,5	A2 s/s
P0173.040-012-A2	M 4	12	4,0	7,0	3,0	4,5	A2 s/s
P0173.040-016-A2	M 4	16	4,0	7,0	3,0	4,5	A2 s/s
P0173.040-020-A2	M 4	20	4,0	7,0	3,0	4,5	A2 s/s
P0173.050-008-A2	M 5	8	5,0	8,5	4,0	5,6	A2 s/s

Order No.	d <sub>1</sub>	l	h max.	d <sub>2</sub> max.	A/F	d <sub>3</sub> ±0.05	Material
P0173.050-010-A2	M 5	10	5,0	8,5	4,0	5,6	A2 s/s
P0173.050-012-A2	M 5	12	5,0	8,5	4,0	5,6	A2 s/s
P0173.050-016-A2	M 5	16	5,0	8,5	4,0	5,6	A2 s/s
P0173.050-020-A2	M 5	20	5,0	8,5	4,0	5,6	A2 s/s
P0173.060-012-A2	M 6	12	6,0	10,0	5,0	6,8	A2 s/s
P0173.060-016-A2	M 6	16	6,0	10,0	5,0	6,8	A2 s/s
P0173.060-020-A2	M 6	20	6,0	10,0	5,0	6,8	A2 s/s
P0173.060-025-A2	M 6	25	6,0	10,0	5,0	6,8	A2 s/s
P0173.060-030-A2	M 6	30	6,0	10,0	5,0	6,8	A2 s/s
P0173.080-012-A2	M 8	12	8,0	13,0	6,0	8,5	A2 s/s
P0173.080-016-A2	M 8	16	8,0	13,0	6,0	8,5	A2 s/s
P0173.080-020-A2	M 8	20	8,0	13,0	6,0	8,5	A2 s/s
P0173.080-025-A2	M 8	25	8,0	13,0	6,0	8,5	A2 s/s
P0173.080-030-A2	M 8	30	8,0	13,0	6,0	8,5	A2 s/s
P0173.100-016-A2	M10	16	10,0	16,0	8,0	10,6	A2 s/s
P0173.100-020-A2	M10	20	10,0	16,0	8,0	10,6	A2 s/s
P0173.100-025-A2	M10	25	10,0	16,0	8,0	10,6	A2 s/s
P0173.100-030-A2	M10	30	10,0	16,0	8,0	10,6	A2 s/s
P0173.100-040-A2	M10	40	10,0	16,0	8,0	10,6	A2 s/s
P0173.120-020-A2	M12	20	12,0	18,0	10,0	12,85	A2 s/s

# Cap Head Seal Screws

hex. socket



Sealing  
Screws

Order No.	d <sub>1</sub>	l	h max.	d <sub>2</sub> max.	A/F	d <sub>3</sub> ±0.05	Material
<b>P0173.120-025-A2</b>	M12	25	12,0	18,0	10,0	12,85	A2 s/s
<b>P0173.120-030-A2</b>	M12	30	12,0	18,0	10,0	12,85	A2 s/s
<b>P0173.120-040-A2</b>	M12	40	12,0	18,0	10,0	12,85	A2 s/s
<b>P0173.120-050-A2</b>	M12	50	12,0	18,0	10,0	12,85	A2 s/s
<b>P0173.160-025-A2</b>	M16	25	16,0	24,0	14,0	17,5	A2 s/s
<b>P0173.160-030-A2</b>	M16	30	16,0	24,0	14,0	17,5	A2 s/s
<b>P0173.160-040-A2</b>	M16	40	16,0	24,0	14,0	17,5	A2 s/s
<b>P0173.160-050-A2</b>	M16	50	16,0	24,0	14,0	17,5	A2 s/s
<b>P0173.020-004-A4</b>	M 2	4	2,0	3,8	1,5	2,35	A4 s/s
<b>P0173.020-008-A4</b>	M 2	8	2,0	3,8	1,5	2,35	A4 s/s
<b>P0173.020-010-A4</b>	M 2	10	2,0	3,8	1,5	2,35	A4 s/s
<b>P0173.020-012-A4</b>	M 2	12	2,0	3,8	1,5	2,35	A4 s/s
<b>P0173.025-006-A4</b>	M2,5	6	2,5	4,7	2,0	2,75	A4 s/s
<b>P0173.025-008-A4</b>	M2,5	8	2,5	4,7	2,0	2,75	A4 s/s
<b>P0173.025-010-A4</b>	M2,5	10	2,5	4,7	2,0	2,75	A4 s/s
<b>P0173.025-012-A4</b>	M2,5	12	2,5	4,7	2,0	2,75	A4 s/s
<b>P0173.030-006-A4</b>	M 3	6	3,0	5,5	2,5	3,6	A4 s/s
<b>P0173.030-008-A4</b>	M 3	8	3,0	5,5	2,5	3,6	A4 s/s
<b>P0173.030-010-A4</b>	M 3	10	3,0	5,5	2,5	3,6	A4 s/s
<b>P0173.030-012-A4</b>	M 3	12	3,0	5,5	2,5	3,6	A4 s/s
<b>P0173.030-020-A4</b>	M 3	20	3,0	5,5	2,5	3,6	A4 s/s
<b>P0173.040-006-A4</b>	M 4	6	4,0	7,0	3,0	4,5	A4 s/s
<b>P0173.040-008-A4</b>	M 4	8	4,0	7,0	3,0	4,5	A4 s/s
<b>P0173.040-010-A4</b>	M 4	10	4,0	7,0	3,0	4,5	A4 s/s
<b>P0173.040-012-A4</b>	M 4	12	4,0	7,0	3,0	4,5	A4 s/s
<b>P0173.040-016-A4</b>	M 4	16	4,0	7,0	3,0	4,5	A4 s/s
<b>P0173.040-020-A4</b>	M 4	20	4,0	7,0	3,0	4,5	A4 s/s
<b>P0173.050-008-A4</b>	M 5	8	5,0	8,5	4,0	5,6	A4 s/s

Order No.	d <sub>1</sub>	l	h max.	d <sub>2</sub> max.	A/F	d <sub>3</sub> ±0.05	Material
<b>P0173.050-010-A4</b>	M 5	10	5,0	8,5	4,0	5,6	A4 s/s
<b>P0173.050-012-A4</b>	M 5	12	5,0	8,5	4,0	5,6	A4 s/s
<b>P0173.050-016-A4</b>	M 5	16	5,0	8,5	4,0	5,6	A4 s/s
<b>P0173.050-020-A4</b>	M 5	20	5,0	8,5	4,0	5,6	A4 s/s
<b>P0173.060-012-A4</b>	M 6	12	6,0	10,0	5,0	6,8	A4 s/s
<b>P0173.060-016-A4</b>	M 6	16	6,0	10,0	5,0	6,8	A4 s/s
<b>P0173.060-020-A4</b>	M 6	20	6,0	10,0	5,0	6,8	A4 s/s
<b>P0173.060-025-A4</b>	M 6	25	6,0	10,0	5,0	6,8	A4 s/s
<b>P0173.060-030-A4</b>	M 6	30	6,0	10,0	5,0	6,8	A4 s/s
<b>P0173.080-012-A4</b>	M 8	12	8,0	13,0	6,0	8,5	A4 s/s
<b>P0173.080-016-A4</b>	M 8	16	8,0	13,0	6,0	8,5	A4 s/s
<b>P0173.080-020-A4</b>	M 8	20	8,0	13,0	6,0	8,5	A4 s/s
<b>P0173.080-025-A4</b>	M 8	25	8,0	13,0	6,0	8,5	A4 s/s
<b>P0173.080-030-A4</b>	M 8	30	8,0	13,0	6,0	8,5	A4 s/s
<b>P0173.100-016-A4</b>	M10	16	10,0	16,0	8,0	10,6	A4 s/s
<b>P0173.100-020-A4</b>	M10	20	10,0	16,0	8,0	10,6	A4 s/s
<b>P0173.100-025-A4</b>	M10	25	10,0	16,0	8,0	10,6	A4 s/s
<b>P0173.100-030-A4</b>	M10	30	10,0	16,0	8,0	10,6	A4 s/s
<b>P0173.100-040-A4</b>	M10	40	10,0	16,0	8,0	10,6	A4 s/s
<b>P0173.120-020-A4</b>	M12	20	12,0	18,0	10,0	12,85	A4 s/s
<b>P0173.120-025-A4</b>	M12	25	12,0	18,0	10,0	12,85	A4 s/s
<b>P0173.120-030-A4</b>	M12	30	12,0	18,0	10,0	12,85	A4 s/s
<b>P0173.120-040-A4</b>	M12	40	12,0	18,0	10,0	12,85	A4 s/s
<b>P0173.120-050-A4</b>	M12	50	12,0	18,0	10,0	12,85	A4 s/s
<b>P0173.160-025-A4</b>	M16	25	16,0	24,0	14,0	17,5	A4 s/s
<b>P0173.160-030-A4</b>	M16	30	16,0	24,0	14,0	17,5	A4 s/s
<b>P0173.160-040-A4</b>	M16	40	16,0	24,0	14,0	17,5	A4 s/s
<b>P0173.160-050-A4</b>	M16	50	16,0	24,0	14,0	17,5	A4 s/s