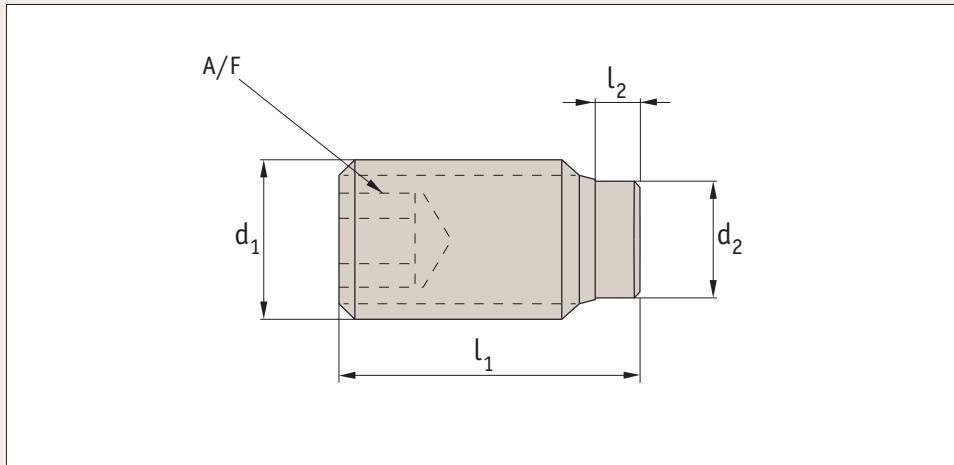


Nylon Tipped Stainless Set Screws

hex. socket

Tipped Set
Screws



P0124

Material

Stainless steel (A2, AISI 303), thermoplastic POM tip (in variety of colours).

Technical Notes

Self-locking, extra holding power for full face control, will not mar or damage shaft or part.

Nylon "soft tip" conforms to shape of shaft or part.

| Order No. | d ₁ | l _{1 nom.} | l ₂ | d _{2 max.} | A/F | $\frac{\Delta}{g}$ |
|----------------------|----------------|---------------------|----------------|---------------------|-----|--------------------|
| P0124.020-004 | M 2 | 4 | 0,8 | 0,8 | 0,9 | 0,1 |
| P0124.020-005 | M 2 | 5 | 0,8 | 0,8 | 0,9 | 0,1 |
| P0124.020-006 | M 2 | 6 | 0,8 | 0,8 | 0,9 | 0,1 |
| P0124.020-007 | M 2 | 7 | 0,8 | 0,8 | 0,9 | 0,2 |
| P0124.030-004 | M 3 | 4 | 0,8 | 1,6 | 1,5 | 0,2 |
| P0124.030-005 | M 3 | 5 | 0,8 | 1,6 | 1,5 | 0,2 |
| P0124.030-006 | M 3 | 6 | 0,8 | 1,6 | 1,5 | 0,2 |
| P0124.030-007 | M 3 | 7 | 0,8 | 1,6 | 1,5 | 0,2 |
| P0124.040-005 | M 4 | 5 | 1,4 | 1,9 | 2,0 | 0,3 |
| P0124.040-007 | M 4 | 7 | 1,0 | 2,0 | 2,0 | 0,3 |
| P0124.040-009 | M 4 | 9 | 1,0 | 2,0 | 2,0 | 0,4 |
| P0124.040-011 | M 4 | 11 | 1,0 | 2,0 | 2,0 | 0,6 |
| P0124.040-013 | M 4 | 13 | 1,0 | 2,0 | 2,0 | 0,7 |
| P0124.040-017 | M 4 | 17 | 1,0 | 2,0 | 2,0 | 1,0 |
| P0124.050-009 | M 5 | 9 | 1,0 | 3,0 | 2,5 | 0,7 |
| P0124.050-011 | M 5 | 11 | 1,0 | 3,0 | 2,5 | 0,8 |
| P0124.050-013 | M 5 | 13 | 1,0 | 3,0 | 2,5 | 1,0 |
| P0124.050-017 | M 5 | 17 | 1,0 | 3,0 | 2,5 | 1,2 |
| P0124.050-021 | M 5 | 21 | 1,0 | 3,0 | 2,5 | 2,0 |
| P0124.060-010 | M 6 | 10 | 2,5 | 4,1 | 3,0 | 1,2 |
| P0124.060-011 | M 6 | 11 | 1,3 | 3,5 | 3,0 | 1,2 |
| P0124.060-013 | M 6 | 13 | 1,3 | 3,5 | 3,0 | 1,5 |

| Order No. | d ₁ | l _{1 nom.} | l ₂ | d _{2 max.} | A/F | $\frac{\Delta}{g}$ |
|----------------------|----------------|---------------------|----------------|---------------------|-----|--------------------|
| P0124.060-017 | M 6 | 17 | 1,3 | 3,5 | 3,0 | 2,2 |
| P0124.060-021 | M 6 | 21 | 1,3 | 3,5 | 3,0 | 2,8 |
| P0124.060-026 | M 6 | 26 | 1,3 | 3,5 | 3,0 | 3,8 |
| P0124.060-033 | M 6 | 33 | 1,3 | 3,5 | 3,0 | 4,9 |
| P0124.080-013 | M 8 | 13 | 1,6 | 5,0 | 4,0 | 2,6 |
| P0124.080-017 | M 8 | 17 | 1,6 | 5,0 | 4,0 | 3,6 |
| P0124.080-021 | M 8 | 21 | 1,6 | 5,0 | 4,0 | 5,0 |
| P0124.080-026 | M 8 | 26 | 1,6 | 5,0 | 4,0 | 6,4 |
| P0124.080-033 | M 8 | 33 | 1,6 | 5,0 | 4,0 | 8,5 |
| P0124.080-041 | M 8 | 41 | 1,6 | 5,0 | 4,0 | 11,0 |
| P0124.100-018 | M10 | 18 | 1,9 | 6,5 | 5,0 | 5,2 |
| P0124.100-022 | M10 | 22 | 1,9 | 6,5 | 5,0 | 7,1 |
| P0124.100-027 | M10 | 27 | 1,9 | 6,5 | 5,0 | 9,9 |
| P0124.100-034 | M10 | 34 | 1,9 | 6,5 | 5,0 | 13,0 |
| P0124.100-042 | M10 | 42 | 1,9 | 6,5 | 5,0 | 17,0 |
| P0124.100-052 | M10 | 52 | 1,9 | 6,5 | 5,0 | 22,0 |
| P0124.120-022 | M12 | 22 | 2,1 | 8,0 | 6,0 | 9,0 |
| P0124.120-027 | M12 | 27 | 2,1 | 8,0 | 6,0 | 10,0 |
| P0124.120-034 | M12 | 34 | 2,1 | 8,0 | 6,0 | 19,0 |
| P0124.120-042 | M12 | 42 | 2,1 | 8,0 | 6,0 | 24,0 |
| P0124.120-052 | M12 | 52 | 2,1 | 8,0 | 6,0 | 31,0 |
| P0124.120-065 | M12 | 65 | 2,1 | 8,0 | 6,0 | 40,0 |