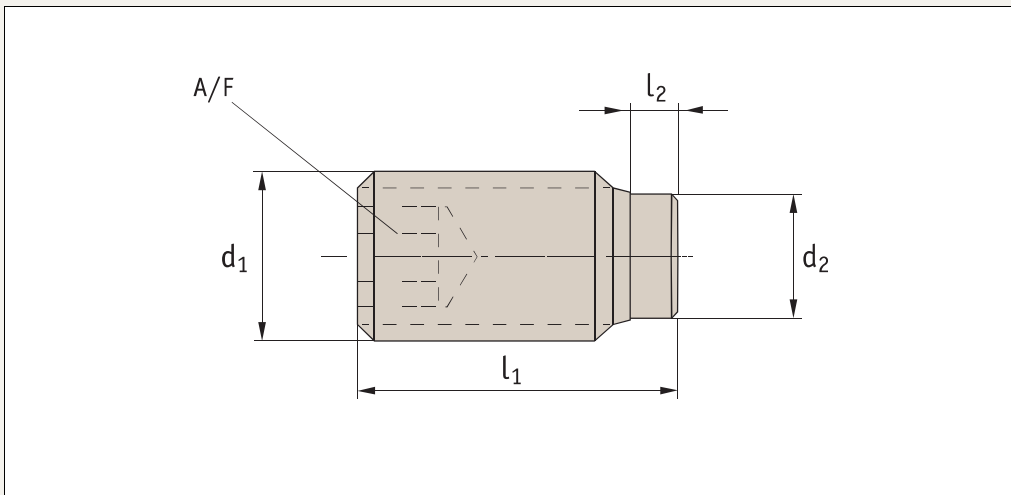


Nylon Tipped Steel Set Screws

hex. socket

Tipped Set
Screws



P0125

Material

Heat treated steel, blackened, thermoplastic POM tip (in variety of colours).

Technical Notes

Self-locking, extra holding power for full face control. Will not mar or damage shaft or part. Nylon "soft tip" conforms to shape of shaft or part.

Order No.	d ₁	l _{1 nom}	l ₂	d ₂	A/F	⚖️ g
P0125.040-007	M 4	7	1,0	2,0	2,0	0,3
P0125.040-009	M 4	9	1,0	2,0	2,0	0,4
P0125.040-011	M 4	11	1,0	2,0	2,0	0,6
P0125.040-013	M 4	13	1,0	2,0	2,0	0,7
P0125.040-017	M 4	17	1,0	2,0	2,0	1,0
P0125.040-021	M 4	21	1,0	2,0	2,0	0,3
P0125.050-009	M 5	9	1,0	3,0	2,5	0,7
P0125.050-011	M 5	11	1,0	3,0	2,5	0,8
P0125.050-013	M 5	13	1,0	3,0	2,5	1,0
P0125.050-017	M 5	17	1,0	3,0	2,5	1,2
P0125.050-021	M 5	21	1,0	3,0	2,5	2,0
P0125.050-026	M 5	26	1,0	3,0	2,5	2,6
P0125.060-011	M 6	11	1,3	3,5	3,0	1,2
P0125.060-013	M 6	13	1,3	3,5	3,0	1,5
P0125.060-017	M 6	17	1,3	3,5	3,0	2,2
P0125.060-021	M 6	21	1,3	3,5	3,0	2,8
P0125.060-026	M 6	26	1,3	3,5	3,0	3,8
P0125.060-033	M 6	33	1,3	3,5	3,0	4,9
P0125.060-041	M 6	41	1,3	3,5	3,0	6,3
P0125.060-051	M 6	51	1,3	3,5	3,0	7,9
P0125.080-013	M 8	13	1,6	5,0	4,0	2,6
P0125.080-017	M 8	17	1,6	5,0	4,0	3,6

Order No.	d ₁	l _{1 nom}	l ₂	d ₂	A/F	⚖️ g
P0125.080-021	M 8	21	1,6	5,0	4,0	5,0
P0125.080-026	M 8	26	1,6	5,0	4,0	6,4
P0125.080-033	M 8	33	1,6	5,0	4,0	8,5
P0125.080-041	M 8	41	1,6	5,0	4,0	11,0
P0125.080-051	M 8	51	1,6	5,0	4,0	14,0
P0125.080-064	M 8	64	1,6	5,0	4,0	18,0
P0125.100-018	M10	18	1,9	6,5	5,0	5,2
P0125.100-022	M10	22	1,9	6,5	5,0	7,1
P0125.100-027	M10	27	1,9	6,5	5,0	9,9
P0125.100-034	M10	34	1,9	6,5	5,0	13,0
P0125.100-042	M10	42	1,9	6,5	5,0	17,0
P0125.100-052	M10	52	1,9	6,5	5,0	22,0
P0125.100-065	M10	65	1,9	6,5	5,0	28,0
P0125.100-082	M10	82	1,9	6,5	5,0	36,0
P0125.120-022	M12	22	2,1	8,0	6,0	9,0
P0125.120-027	M12	27	2,1	8,0	6,0	10,0
P0125.120-034	M12	34	2,1	8,0	6,0	19,0
P0125.120-042	M12	42	2,1	8,0	6,0	24,0
P0125.120-052	M12	52	2,1	8,0	6,0	31,0
P0125.120-065	M12	65	2,1	8,0	6,0	40,0
P0125.120-082	M12	82	2,1	8,0	6,0	51,0