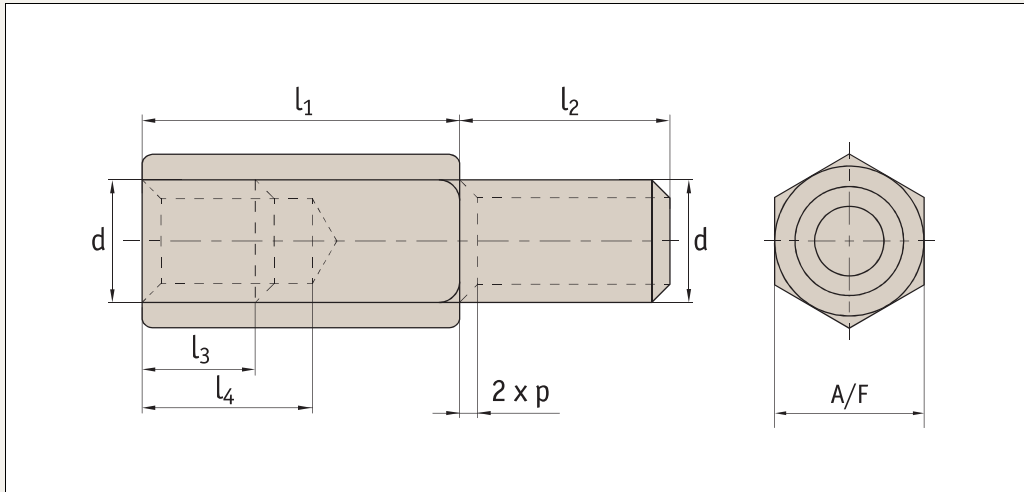




P0061.ZP



Material
Mild steel, zinc-plated.

Technical Notes
 $l_4 = (l_3 + >1\text{mm})$.

Order No.	d	$l_{1 \text{ js } 13}$	l_2	l_3	A/F
P0061.025-005-ZP	M2,5	5	6	2,5	5
P0061.025-008-ZP	M2,5	8	6	5,5	5
P0061.025-012-ZP	M2,5	12	6	7,0	5
P0061.025-015-ZP	M2,5	15	6	7,0	5
P0061.025-020-ZP	M2,5	20	6	7,0	5
P0061.030-005-ZP	M3	5	6	2,5	5,5
P0061.030-008-ZP	M3	8	6	5,0	5,5
P0061.030-010-ZP	M3	10	6	5,0	5,5
P0061.030-012-ZP	M3	12	6	6,5	5,5
P0061.030-015-ZP	M3	15	6	7,5	5,5
P0061.030-018-ZP	M3	18	6	8,0	5,5
P0061.030-020-ZP	M3	20	6	7,0	5,5
P0061.030-025-ZP	M3	25	6	7,0	5,5
P0061.030-030-ZP	M3	30	6	7,0	5,5
P0061.030-035-ZP	M3	35	6	7,0	5,5
P0061.030-040-ZP	M3	40	6	7,0	5,5
P0061.030-045-ZP	M3	45	6	7,0	5,5
P0061.030-050-ZP	M3	50	6	7,0	5,5
P0061.030-060-ZP	M3	60	6	7,0	5,5
P0061.030-070-ZP	M3	70	6	7,0	5,5
P0061.030-080-ZP	M3	80	6	7,0	5,5
P0061.040-005-ZP	M4	5	8	2,3	7
P0061.040-008-ZP	M4	8	8	4,5	7
P0061.040-010-ZP	M4	10	6	6,0	7
P0061.040-012-ZP	M4	12	8	8,0	7
P0061.040-015-ZP	M4	15	8	9,0	7
P0061.040-018-ZP	M4	18	8	9,0	7
P0061.040-020-ZP	M4	20	8	9,0	7
P0061.040-025-ZP	M4	25	8	9,0	7
P0061.040-030-ZP	M4	30	8	9,0	7
P0061.040-035-ZP	M4	35	8	9,0	7
P0061.040-040-ZP	M4	40	8	9,0	7
P0061.040-045-ZP	M4	45	8	9,0	7
P0061.040-050-ZP	M4	50	8	9,0	7

Order No.	d	$l_{1 \text{ js } 13}$	l_2	l_3	A/F
P0061.040-055-ZP	M4	55	8	9,0	7
P0061.040-060-ZP	M4	60	8	9,0	7
P0061.040-070-ZP	M4	70	8	9,0	7
P0061.040-080-ZP	M4	80	8	9,0	7
P0061.050-008-ZP	M5	8	10	5,0	8
P0061.050-010-ZP	M5	10	10	5,5	8
P0061.050-012-ZP	M5	12	10	8,0	8
P0061.050-015-ZP	M5	15	10	9,0	8
P0061.050-018-ZP	M5	18	10	10,0	8
P0061.050-020-ZP	M5	20	10	11,0	8
P0061.050-025-ZP	M5	25	10	11,0	8
P0061.050-030-ZP	M5	30	10	11,0	8
P0061.050-035-ZP	M5	35	10	11,0	8
P0061.050-040-ZP	M5	40	10	11,0	8
P0061.050-045-ZP	M5	45	10	11,0	8
P0061.050-050-ZP	M5	50	10	11,0	8
P0061.050-055-ZP	M5	55	10	11,0	8
P0061.050-060-ZP	M5	60	10	11,0	8
P0061.050-070-ZP	M5	70	10	11,0	8
P0061.050-080-ZP	M5	80	10	11,0	8
P0061.060-010-ZP	M6	10	12	6,0	10
P0061.060-015-ZP	M6	15	12	11,0	8
P0061.060-018-ZP	M6	18	12	12,0	8
P0061.060-020-ZP	M6	20	12	12,0	8
P0061.060-025-ZP	M6	25	12	12,0	8
P0061.060-030-ZP	M6	30	12	12,0	8
P0061.060-035-ZP	M6	35	12	12,0	8
P0061.060-040-ZP	M6	40	12	12,0	8
P0061.060-045-ZP	M6	45	12	12,0	8
P0061.060-050-ZP	M6	50	12	12,0	8
P0061.060-055-ZP	M6	55	12	12,0	8
P0061.060-060-ZP	M6	60	12	12,0	8
P0061.060-070-ZP	M6	70	12	12,0	8
P0061.060-080-ZP	M6	80	12	12,0	8

Steel Hexagonal Pillars

steel, zinc-plated

Threaded Spacers



Order No.	d	l _{1 js 13}	l ₂	l ₃	A/F
P0061.080-010-ZP	M8	10	14	6,0	13
P0061.080-015-ZP	M8	15	14	8,0	13
P0061.080-018-ZP	M8	18	14	12,0	13
P0061.080-020-ZP	M8	20	14	12,0	13
P0061.080-025-ZP	M8	25	14	15,0	13
P0061.080-030-ZP	M8	30	14	15,0	13
P0061.080-035-ZP	M8	35	14	15,0	13

Order No.	d	l _{1 js 13}	l ₂	l ₃	A/F
P0061.080-040-ZP	M8	40	14	15,0	13
P0061.080-045-ZP	M8	45	14	15,0	13
P0061.080-050-ZP	M8	50	14	15,0	13
P0061.080-060-ZP	M8	60	14	15,0	13
P0061.080-070-ZP	M8	70	14	15,0	13
P0061.080-080-ZP	M8	80	14	15,0	13