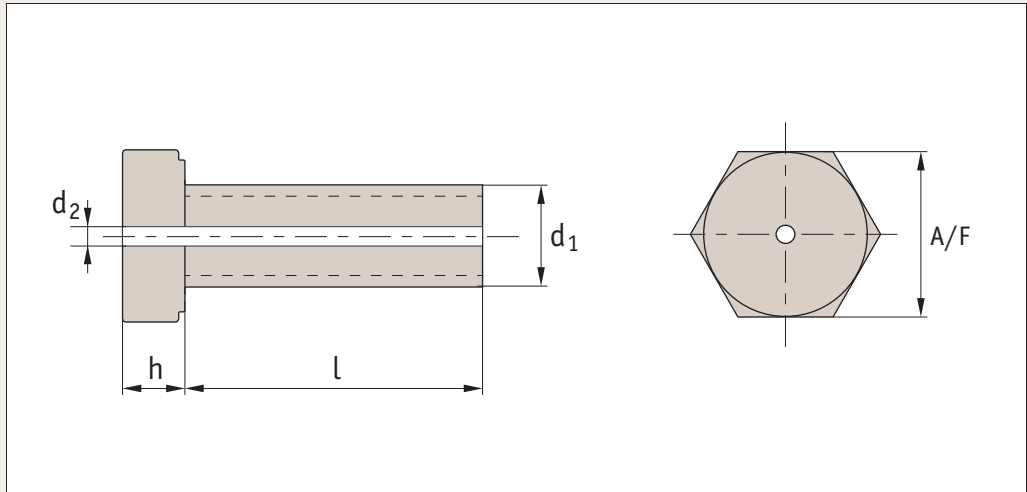




P0091



Material

Stainless steel (A2 class 70), A2 class 80 and A4 grade on request.
Precision cleaned.

Technical Notes

To DIN 933 (with central vent).
Coatings available: silver, gold, nickel and others.

Tips

These components help eliminate virtual leaks from HV and UHV systems. They also improve pump-down times in such systems.

Trapped gases at the bottom of a tapped hole are removed via the central ventilation hole through the middle of the screw.

Order No.	d ₁	l	d ₂	h	A/F
P0091.040-010	M4	10	1,5	2,8	7
P0091.040-012	M4	12	1,5	2,8	7
P0091.040-016	M4	16	1,5	2,8	7
P0091.040-020	M4	20	1,5	2,8	7
P0091.040-025	M4	25	1,5	2,8	7
P0091.040-030	M4	30	1,5	2,8	7
P0091.040-035	M4	35	1,5	2,8	7
P0091.050-010	M5	10	1,5	3,5	8
P0091.050-012	M5	12	1,5	3,5	8
P0091.050-016	M5	16	1,5	3,5	8
P0091.050-020	M5	20	1,5	3,5	8

Order No.	d ₁	l	d ₂	h	A/F
P0091.050-025	M5	25	1,5	3,5	8
P0091.060-016	M6	16	2,0	4,0	10
P0091.060-020	M6	20	2,0	4,0	10
P0091.060-025	M6	25	2,0	4,0	10
P0091.080-016	M8	16	2,0	5,3	13
P0091.080-020	M8	20	2,0	5,3	13
P0091.080-025	M8	25	2,0	5,3	13
P0091.080-030	M8	30	2,0	5,3	13