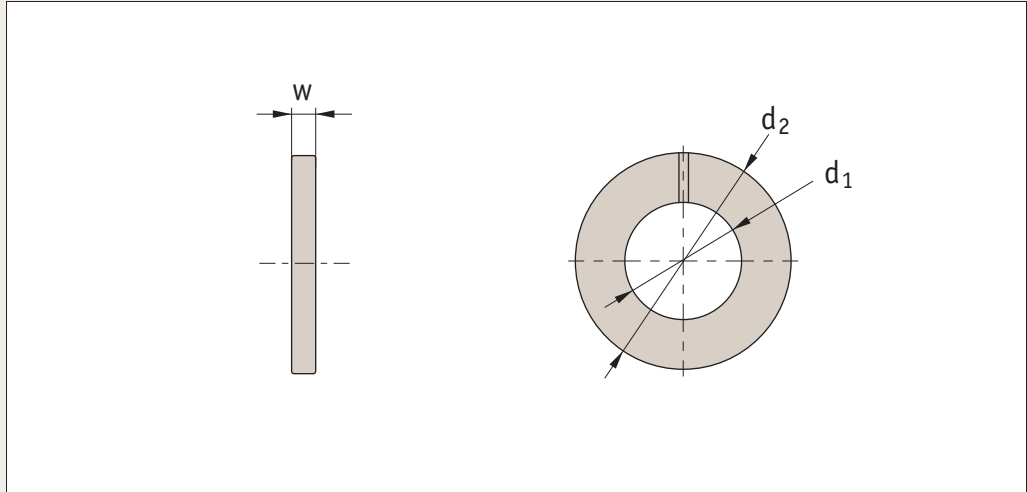


P0097



Material

Stainless steel (A2, AISI 303).
Precision cleaned.

Technical Notes

To DIN 125A (with vent).
Coatings available: silver, gold, nickel and others.

Tips

Vented flat washers are key components in eliminating virtual leaks from HV and UHV systems. They prevent gas being trapped beneath a fastener head along the screw shaft.

Order No.	Size	d ₁	d ₂	w
P0097.020	M 2	2,2	5	0,3
P0097.025	M2,5	2,7	6	0,5
P0097.030	M 3	3,2	7	0,5
P0097.040	M 4	4,3	9	0,8
P0097.050	M 5	5,3	10	1,0

Order No.	Size	d ₁	d ₂	w
P0097.060	M 6	6,4	12	1,6
P0097.080	M 8	8,4	16	1,6
P0097.100	M10	10,5	20	2,0
P0097.120	M12	13,0	24	2,5