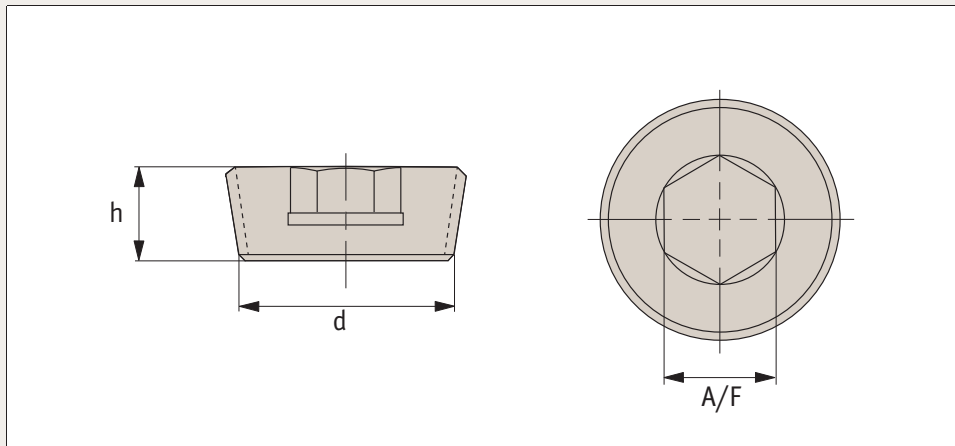


# Blanking Plugs

NPT and NPTF

# Blanking Plugs



## P0186

### Material

Steel (hardened or self-colour) and Stainless steel (A4)

### Technical Notes

NPTF (National Pipe Thread Fuel). The dry seal versions are longer than the level seal type and is more commonly used as it better fits holes that are not as accurately tapped. The level seal types have tighter thread tolerances and is meant to be flush with the top of the tapped mating

hole.

Tightening torque is dependent on fluid, pressure, temperature, and material pairing.

### Tips

NPTF threads will screw together with NPT threads and should have no noticeable assembly problem. There will most likely be an interference fit between the root and crest on either the major or minor diameter of the thread, depending on which part is NPTF. To accomplish a seal on the

joint, a sealant will be required.

NPTF threads are designed to screw together. They are designed to have interference at the roots and crests of the threads on both the major and minor diameters. This interference should cause no assembly problem. The thread deformation caused by the interference fit and the wrench tightening is designed to make a dry mechanical seal.

Order No.	d	tpi	d <sub>max.</sub>	l <sub>nom.</sub>	A/F	Material
<b>P0186.NPT1/16-A4</b>	NPT1/16"	27,0	8,08	7,92	5/32	Stainless
<b>P0186.NPT1/8-A4</b>	NPT 1/8"	27,0	10,40	7,92	3/16	Stainless
<b>P0186.NPT1/4-A4</b>	NPT 1/4"	18,0	13,80	11,10	1/4	Stainless
<b>P0186.NPT3/8-A4</b>	NPT 3/8"	18,0	17,40	12,70	5/16	Stainless
<b>P0186.NPT1/2-A4</b>	NPT 1/2"	14,0	21,10	15,90	3/8	Stainless
<b>P0186.NPT3/4-A4</b>	NPT 3/4"	14,0	26,90	19,00	1/4	Stainless
<b>P0186.NPT1-A4</b>	NPT 1"	11,5	33,90	20,60	1/2	Stainless
<b>P0186.NPTF1/16-HS</b>	NPTF1/16"	27,0	8,08	7,92	5/32	Hardend steel
<b>P0186.NPTF1/8-HS</b>	NPTF1/8"	27,0	10,40	7,92	3/16	Hardend steel
<b>P0186.NPTF1/4-HS</b>	NPTF1/4"	18,0	13,80	11,10	1/4	Hardend steel
<b>P0186.NPTF3/8-HS</b>	NPTF3/8"	18,0	17,40	12,70	5/16	Hardend steel
<b>P0186.NPTF1/2-HS</b>	NPTF1/2"	14,0	21,50	14,30	3/8	Hardend steel
<b>P0186.NPTF3/4-HS</b>	NPTF3/4"	14,0	26,90	15,90	1/8	Hardend steel
<b>P0186.NPTF1-HS</b>	NPTF1"	11,5	33,90	19,00	1/2	Hardend steel
<b>P0186.NPT1/16-SC</b>	NPT1/16"	27,0	8,08	7,92	5/32	Steel SC
<b>P0186.NPT1/8-SC</b>	NPT1/8"	27,0	10,40	7,92	3/16	Steel SC
<b>P0186.NPT1/4-SC</b>	NPT1/4"	18,0	13,80	11,10	1/4	Steel SC
<b>P0186.NPT3/8-SC</b>	NPT3/8"	18,0	17,40	12,70	5/16	Steel SC
<b>P0186.NPT1/2-SC</b>	NPT1/2"	14,0	21,10	15,90	3/8	Steel SC
<b>P0186.NPT3/4-SC</b>	NPT3/4"	14,0	26,90	19,00	1/4	Steel SC
<b>P0186.NPT1-SC</b>	NPT1"	11,5	33,90	20,60	1/2	Steel SC
<b>P0186.NPT1-1/4-SC</b>	NPT1 1/4"	11,5	42,60	20,60	3/4	Steel SC
<b>P0186.NPT1-1/2-SC</b>	NPT1 1/2"	11,5	48,70	20,60	1	Steel SC