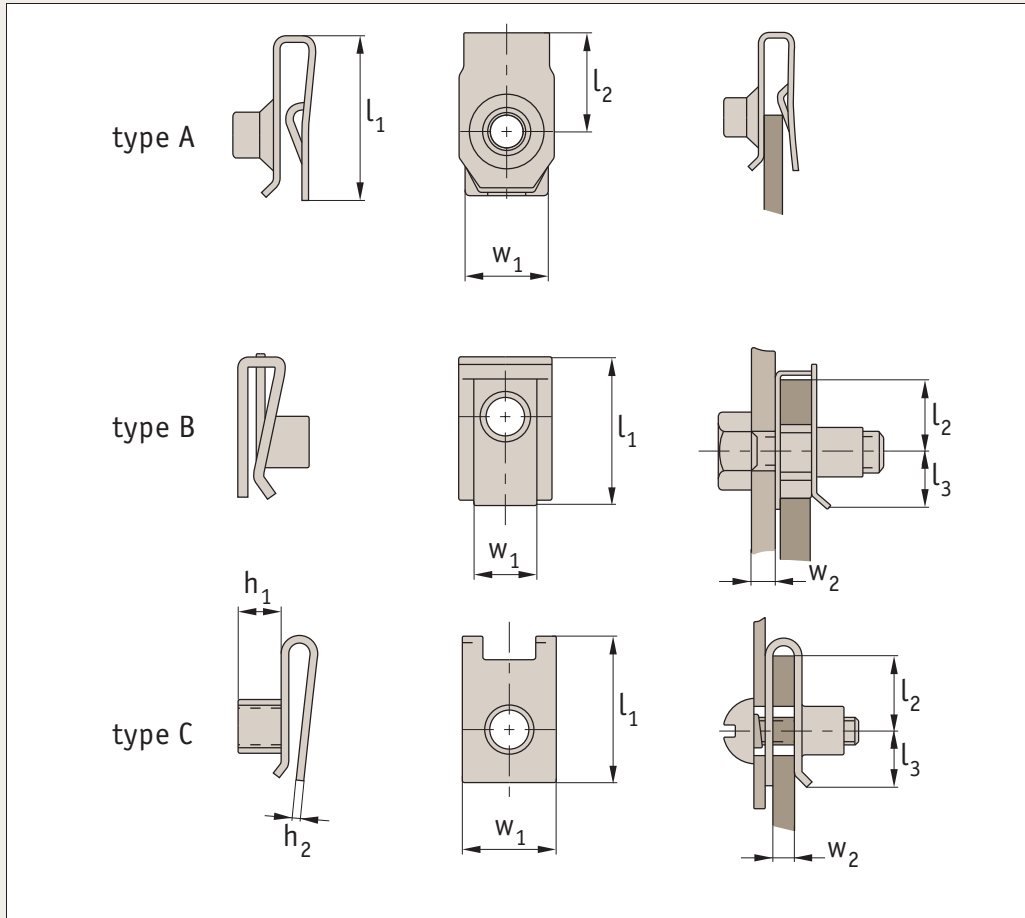




## P0326



### Material

Steel, zinc-plated.

### Technical Notes

Lug nuts are used where U nuts are not strong enough. They provide a degree of adjustment to assist screw

alignment.

Select the part number according to the thread required, the thickness of the preferred material and the type of nut required.

Order No.	For thread	w <sub>1</sub>	l <sub>1</sub>	l <sub>2</sub>	w <sub>2</sub>	l <sub>3</sub>	h <sub>1</sub>	h <sub>2</sub>	Type
<b>P0326.040-040-A1</b>	M 4	0,8-4,0	24,0	12,5	14,2	-	-	-	A
<b>P0326.050-040-A1</b>	M 5	0,8-4,0	26,0	12,0	17,2	-	-	-	A
<b>P0326.100-055-A1</b>	M10	1,5-5,5	32,7	18,0	17,2	-	-	-	A
<b>P0326.040-040-B1</b>	M 4	0,5-4,0	15,0	7,3	10,0	7,0	5,0	0,6	B
<b>P0326.050-040-B1</b>	M 5	0,5-4,0	15,0	7,3	12,0	7,0	5,5	0,6	B
<b>P0326.050-040-B2</b>	M 5	0,5-4,0	20,0	11,0	14,0	8,8	5,5	0,7	B
<b>P0326.060-040-B1</b>	M 6	0,5-4,0	18,8	8,4	16,0	8,4	7,5	0,8	B
<b>P0326.060-040-B2</b>	M 6	0,5-4,0	22,2	12,0	15,0	9,8	7,0	0,8	B
<b>P0326.080-040-B2</b>	M 8	0,5-4,0	24,3	13,0	17,0	10,8	9,0	1,0	B
<b>P0326.040-015-C1</b>	M 4	0,5-1,5	15,5	7,5	12,0	6,5	4,5	0,8	C
<b>P0326.040-020-C1</b>	M 4	0,5-2,0	15,5	7,5	12,0	6,5	4,5	0,8	C
<b>P0326.050-015-C1</b>	M 5	0,5-1,5	15,5	7,5	12,0	6,5	5,0	0,8	C
<b>P0326.050-020-C1</b>	M 5	0,5-2,0	15,5	7,5	12,0	6,5	5,0	0,8	C
<b>P0326.060-015-C1</b>	M 6	0,5-1,5	15,5	7,5	12,0	6,5	5,5	0,8	C
<b>P0326.060-020-C1</b>	M 6	0,5-2,0	15,5	7,5	12,0	6,5	5,5	0,8	C