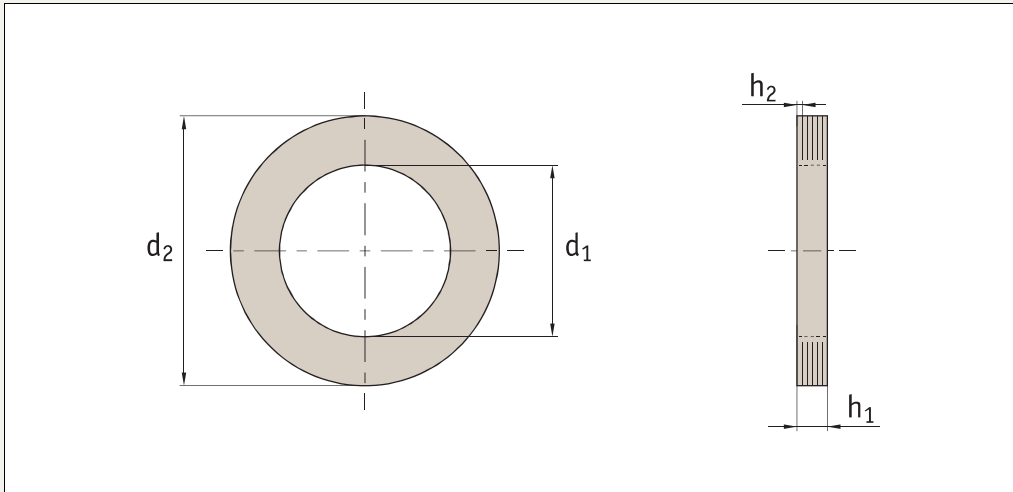


Laminated Shim Spacers

brass

Nuts & Washers



P0344

Material

Brass (with 0,05mm laminations).

Technical Notes

The inner race spacers fit onto shafts and preload the inner race of ball

bearing.

The outer race spacers fit into the housing and preload the outer race of ball bearing.

Tips

The 0,05mm laminations can be peeled off as required.

| Order No. | For shaft/ bore | $d_1 \pm 0,1$ | $d_2 +0,0, -0,1$ | $h_1 \pm 0,1$ | h_2 | Type |
|---------------------|--------------------|---------------|------------------|---------------|-------|------------|
| P0344.030-IN | 3,0 shaft | 3,2 | 5,9 | 0,8 | 0,05 | Inner race |
| P0344.050-IN | 5,0 shaft | 5,2 | 9,5 | 0,8 | 0,05 | Inner race |
| P0344.060-IN | 6,0 shaft | 6,2 | 12,7 | 0,8 | 0,05 | Inner race |
| P0344.100-IN | 10,0 shaft | 10,2 | 15,9 | 0,8 | 0,05 | Inner race |
| P0344.100-EX | 10,0 bore | 7,9 | 10,0 | 0,8 | 0,05 | Outer race |
| P0344.130-EX | 13,0 bore | 9,5 | 13,0 | 0,8 | 0,05 | Outer race |
| P0344.160-EX | 16,0 bore | 11,1 | 16,0 | 0,8 | 0,05 | Outer race |