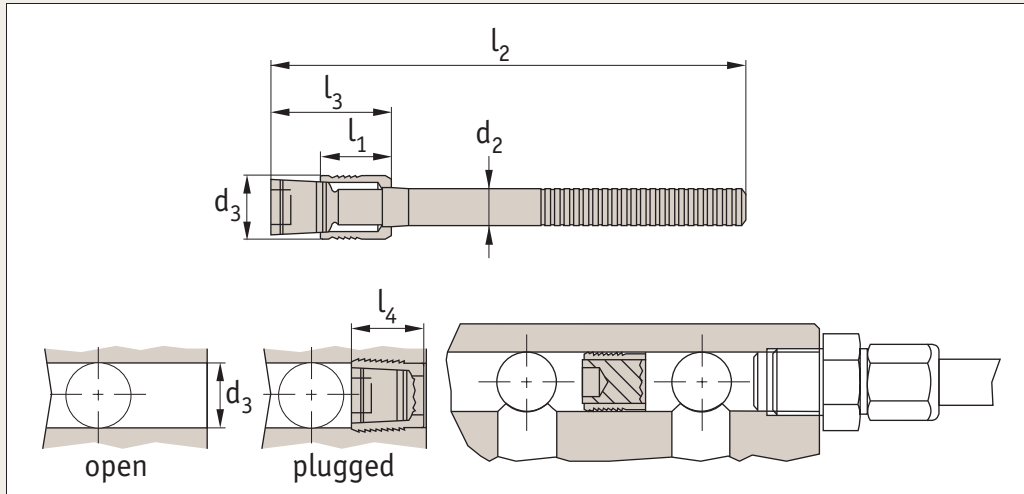




P0197



Material

Sleeve: case-hardened steel, black oxide finish.
Mandrel: heat-treated steel, black oxide finish.

Technical Notes

These high pressure sealing plugs are used to blank off externally drilled holes for air and gas.
No need for tapping, reaming, machining of O-ring grooves or the use of tapes or sealants.
Short version - with short mandrel.
Long version - with long mandrel.

Tips

Working pressure up to 450 bar (dependent on body material and material into which installed).
Pulling on the mandrel forces the plug insert into the plug body, expanding the body out to grip on the channel walls.
At a set pressure the mandrel then breaks off and is removed with the plug remaining firmly set inside the bore.

Important Notes

Please refer to technical pages for product installation details.

Order No.	Type	d ₁	l ₁	l ₂	d ₂	d ₃ +0.12, -0.0	l ₃ max.	l ₄ max.
P0197.040-S	Short	4,0	4,0	39	2,50	4,0	9,0	6,5
P0197.050-S	Short	5,0	5,5	41	3,00	5,0	10,0	7,5
P0197.060-S	Short	6,0	6,5	43	3,40	6,0	12,0	8,0
P0197.070-S	Short	7,0	7,5	38	4,10	7,0	14,0	9,0
P0197.080-S	Short	8,0	8,5	40	4,20	8,0	15,0	10,5
P0197.090-S	Short	9,0	9,5	43	4,50	9,0	17,0	11,0
P0197.100-S	Short	10,0	10,5	45	4,75	10,0	19,0	12,5
P0197.040-L	Long	4,0	4,0	69	2,50	3,3	9,0	6,5
P0197.050-L	Long	5,0	5,5	71	3,00	4,3	10,0	7,5
P0197.060-L	Long	6,0	6,5	73	3,40	5,3	12,0	8,0
P0197.070-L	Long	7,0	7,5	68	4,10	6,4	14,0	9,0
P0197.080-L	Long	8,0	8,5	70	4,20	7,4	15,0	10,5
P0197.090-L	Long	9,0	9,5	73	4,50	8,4	17,0	11,0
P0197.100-L	Long	10,0	10,5	75	4,75	9,4	19,0	12,5