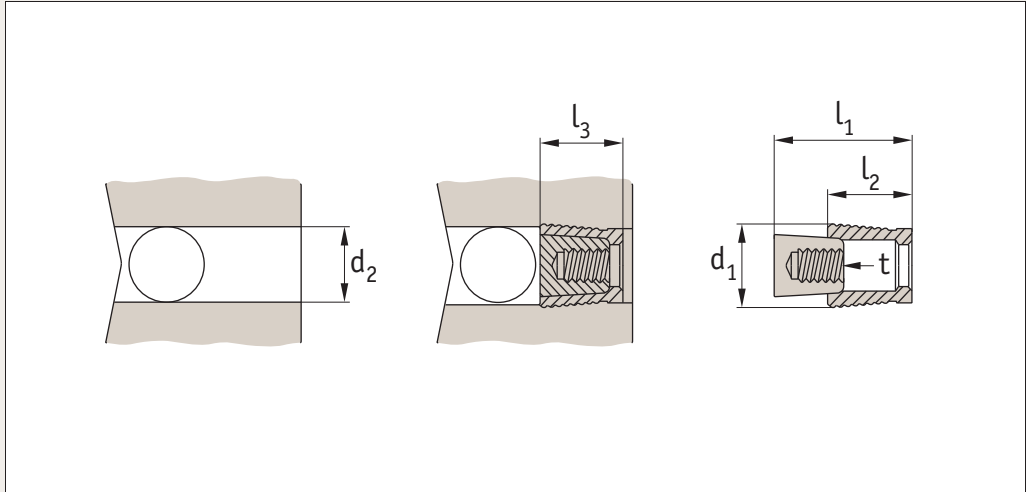




P0195



Material

Sleeve: case-hardened steel, black oxide finish.
Pin: heat-treatable steel, black oxide finish.

Technical Notes

These high pressure sealing plugs are used to blank off externally drilled holes for air and gas.

No need for tapping, reaming, machining of O-ring grooves or the use of tapes or sealants.

Important Notes

Please refer to technical pages for product installation details.

Order No.	d ₁	l ₁	d ₂ +0.1,-0.0	l ₂	l ₃	t
P0195.070	7,0	13,0	7,0	7,5	8,0	4-40 UNC
P0195.080	8,0	14,0	8,0	8,5	9,0	6-32 UNC
P0195.090	9,0	16,0	9,0	9,5	10,0	8-32 UNC
P0195.100	10,0	18,0	10,0	10,5	11,0	10-32 UNC
P0195.120	12,0	21,0	12,0	12,5	13,0	10-32 UNC
P0195.140	14,0	25,0	14,0	14,5	15,0	1/4-20 UNC
P0195.160	16,0	28,0	16,0	16,5	17,0	1/4-20 UNC
P0195.180	18,0	31,5	18,0	18,5	19,0	5/16-18 UNC
P0195.200	20,0	35,0	20,0	20,5	21,0	3/8-16 UNC
P0195.220	22,0	38,5	22,0	22,5	23,0	3/8-16 UNC