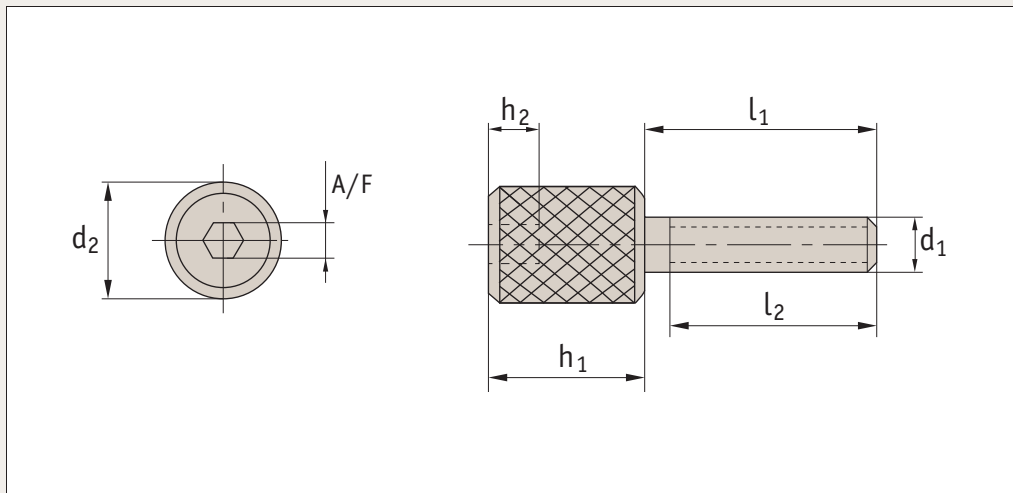


Thin Head Thumb Screws

A2 stainless

Thumb
Screws



P0435

Material

Stainless steel (A2, AISI 303).
Also available on request in A4
stainless.

Technical Notes

Stainless steel A2 is a hard stainless
steel which may (in harsh conditions)
exhibit slight signs of rusting. Typically

used in food and pharmaceutical
applications.

Order No.	d_1	d_2	l_1	l_2	h_1	h_2 min.	A/F
P0435.03-06-12	M3	6	12	11	12	2	2
P0435.03-06-20	M3	6	20	16	12	2	2
P0435.03-08-12	M3	8	12	11	12	2	2
P0435.03-08-20	M3	8	20	16	12	2	2
P0435.03-10-10	M3	10	10	8	12	3	3
P0435.03-10-12	M3	10	12	11	12	3	3
P0435.04-06-12	M4	6	12	11	12	2	2
P0435.04-06-20	M4	6	20	16	12	2	2
P0435.04-06-25	M4	6	25	20	12	2	2
P0435.04-08-12	M4	8	12	11	12	2	2
P0435.04-08-20	M4	8	20	16	12	2	2
P0435.04-08-25	M4	8	25	20	12	2	2
P0435.04-10-10	M4	10	10	8	12	3	3
P0435.04-10-14	M4	10	14	12	12	3	3
P0435.04-10-20	M4	10	20	16	12	3	3
P0435.05-08-12	M5	8	12	11	12	2	2
P0435.05-08-20	M5	8	20	16	12	2	2
P0435.05-08-25	M5	8	25	20	12	2	2
P0435.05-08-32	M5	8	32	25	12	2	2
P0435.05-10-12	M5	10	12	11	12	3	3
P0435.05-10-20	M5	10	20	16	12	3	3
P0435.05-10-25	M5	10	25	20	12	3	3
P0435.05-10-32	M5	10	32	25	12	3	3
P0435.06-10-12	M6	10	12	11	12	3	3
P0435.06-10-20	M6	10	20	16	12	3	3
P0435.06-10-25	M6	10	25	20	12	3	3
P0435.06-10-30	M6	10	30	25	12	3	3
P0435.06-10-35	M6	10	35	30	12	3	3