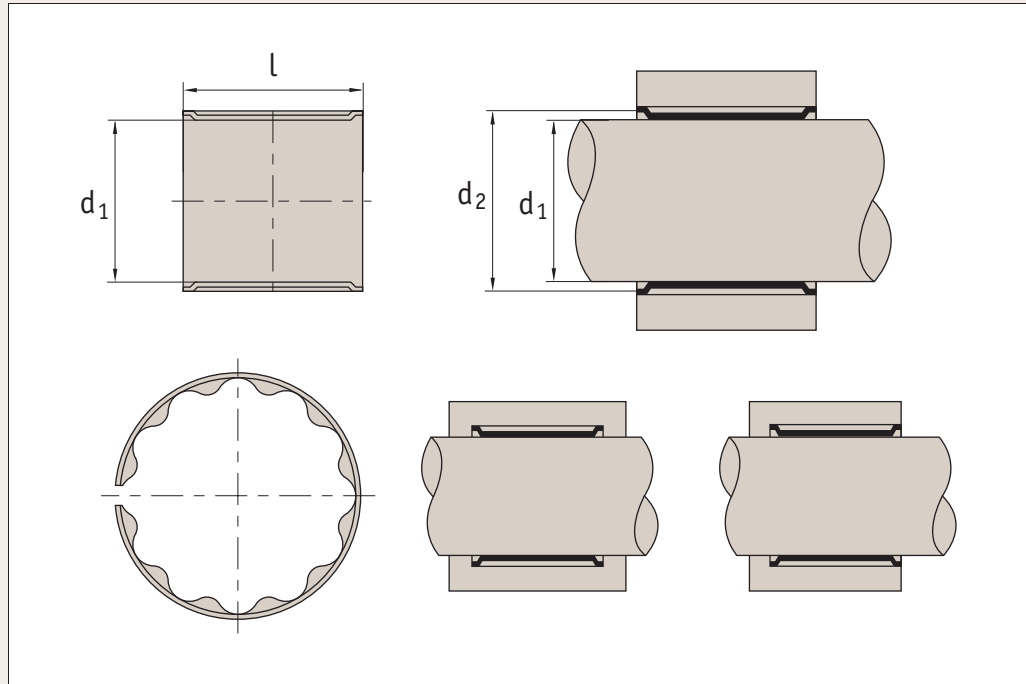




## P0396



### Material

Stainless steel (type 304, DIN 1.4301).

### Technical Notes

Tolerance rings allow the mating of parts with wider tolerances.

The waves are on the inside, the ring sits on the housing bore with the waves being compressed by the shaft diameter.

### Tips

For use where there is an accurate shaft but the bore may have a wide tolerance.

Order No.	$d_1$ H9	l	$d_1$ nom.	$d_2$ for bearings	$d_2$ for torque transfer	Max. torque Nm	Max. radial load N	Material
P0396.HV04-06C	4	6	4	4,93 to 4,95	4,82 to 4,86	0,15	80	Steel
P0396.HV04-08C	4	8	4	4,93 to 4,95	4,82 to 4,86	0,25	90	Steel
P0396.HV04-10C	4	10	4	4,93 to 4,95	4,82 to 4,86	0,35	95	Steel
P0396.HV05-05C	5	5	5	5,93 to 5,95	5,82 to 5,86	0,45	100	Steel
P0396.HV05-08C	5	8	5	5,93 to 5,95	5,82 to 5,86	0,66	160	Steel
P0396.HV05-12C	5	12	5	5,93 to 5,95	5,82 to 5,86	1,25	250	Steel
P0396.HV06-06C	6	6	6	6,93 to 6,985	6,82 to 6,86	0,45	133	Steel
P0396.HV06-08C	6	8	6	6,93 to 6,985	6,82 to 6,86	0,75	240	Steel
P0396.HV06-10C	6	10	6	6,93 to 6,985	6,82 to 6,86	1,00	290	Steel
P0396.HV06-15C	6	15	6	6,93 to 6,985	6,82 to 6,86	1,20	300	Steel
P0396.HV08-06C	8	6	8	9,41 to 9,48	9,23 to 9,30	1,00	240	Steel
P0396.HV08-08C	8	8	8	9,41 to 9,48	9,23 to 9,30	1,45	360	Steel
P0396.HV08-12C	8	12	8	9,41 to 9,48	9,23 to 9,30	2,00	580	Steel
P0396.HV08-14S	8	14	8	9,41 to 9,48	9,23 to 9,30	2,10	600	Steel
P0396.HV10-04S	10	4	10	11,41 to 11,48	11,23 to 11,30	0,95	480	Stainless
P0396.HV10-06S	10	6	10	11,41 to 11,48	11,23 to 11,30	2,30	850	Stainless
P0396.HV10-08S	10	8	10	11,41 to 11,48	11,23 to 11,30	2,50	1020	Stainless
P0396.HV10-10S	10	10	10	11,41 to 11,48	11,23 to 11,30	3,00	1220	Stainless
P0396.HV10-12S	10	12	10	11,41 to 11,48	11,23 to 11,30	3,50	1650	Stainless
P0396.HV10-14S	10	14	10	11,41 to 11,48	11,23 to 11,30	4,00	2050	Stainless
P0396.HV10-18S	10	18	10	11,41 to 11,48	11,23 to 11,30	4,50	2500	Stainless
P0396.HV12-04S	12	4	12	13,41 to 13,48	13,23 to 13,30	1,60	720	Stainless
P0396.HV12-06S	12	6	12	13,41 to 13,48	13,23 to 13,30	3,00	1200	Stainless
P0396.HV12-10S	12	10	12	13,41 to 13,48	13,23 to 13,30	4,00	1825	Stainless

# Tolerance Rings - Hole Variable

HV type



Tolerance  
Rings

Order No.	d <sub>1</sub> H9	l	d <sub>1</sub> nom.	d <sub>2</sub> for bearings	d <sub>2</sub> for torque transfer	Max. torque Nm	Max. radial load N	Material
P0396.HV12-12S	12	12	12	13,41 to 13,48	13,23 to 13,30	6,00	2400	Stainless
P0396.HV12-16C	12	16	12	13,41 to 13,48	13,23 to 13,30	8,00	3025	Stainless
P0396.HV12-18S	12	18	12	13,41 to 13,48	13,23 to 13,30	9,00	3350	Stainless
P0396.HV14-08S	14	8	14	15,41 to 15,48	15,23 to 15,30	5,00	1800	Stainless
P0396.HV14-12S	14	12	14	15,41 to 15,48	15,23 to 15,30	7,00	2410	Stainless
P0396.HV14-14C	14	14	14	15,41 to 15,48	15,23 to 15,30	9,00	2750	Stainless
P0396.HV15-08S	15	8	15	16,41 to 16,48	16,23 to 16,30	5,50	1825	Stainless
P0396.HV15-12S	15	12	15	16,41 to 16,48	16,23 to 16,30	7,50	2500	Stainless
P0396.HV15-14S	15	14	15	16,41 to 16,48	16,23 to 16,30	11,00	2925	Stainless
P0396.HV15-22S	15	22	15	16,41 to 16,48	16,23 to 16,30	14,00	3500	Stainless
P0396.HV16-05S	16	5	16	17,41 to 17,48	17,23 to 17,30	4,0	1100	Stainless
P0396.HV16-08S	16	8	16	17,41 to 17,48	17,23 to 17,30	7,0	1900	Stainless
P0396.HV16-10S	16	10	16	17,41 to 17,48	17,23 to 17,30	8,0	2275	Stainless
P0396.HV16-12S	16	12	16	17,41 to 17,48	17,23 to 17,30	9,0	2800	Stainless
P0396.HV16-16S	16	16	16	17,41 to 17,48	17,23 to 17,30	14,0	3650	Stainless
P0396.HV16-22S	16	22	16	17,41 to 17,48	17,23 to 17,30	17,0	4500	Stainless
P0396.HV18-06S	18	6	18	19,89 to 19,98	19,67 to 19,75	6,5	1300	Stainless
P0396.HV18-10S	18	10	18	19,89 to 19,98	19,67 to 19,75	11,0	2450	Stainless
P0396.HV18-16C	18	16	18	19,89 to 19,98	19,67 to 19,75	17,0	4100	Stainless
P0396.HV19-06S	19	6	19	20,89 to 20,98	20,67 to 20,75	7,0	1875	Stainless
P0396.HV19-16C	19	16	19	20,89 to 20,98	20,67 to 20,75	21,0	4450	Steel
P0396.HV20-12S	20	12	20	21,89 to 21,98	21,67 to 21,75	18,0	3650	Stainless
P0396.HV20-14C	20	14	20	21,89 to 21,98	21,67 to 21,75	22,0	4300	Steel
P0396.HV20-16C	20	16	20	21,89 to 21,98	21,67 to 21,75	24,0	4900	Steel
P0396.HV20-20C	20	20	20	21,89 to 21,98	21,67 to 21,75	30,0	6100	Steel
P0396.HV20-26S	20	26	20	21,89 to 21,98	21,67 to 21,75	34,0	7250	Stainless
P0396.HV22-05S	22	5	22	23,89 to 23,98	23,67 to 23,75	12,0	1650	Stainless
P0396.HV22-07S	22	7	22	23,89 to 23,98	23,67 to 23,75	16,0	2450	Stainless
P0396.HV22-10S	22	10	22	23,89 to 23,98	23,67 to 23,75	18,0	3525	Stainless
P0396.HV22-16C	22	16	22	23,89 to 23,98	23,67 to 23,75	30,0	5450	Steel
P0396.HV22-20C	22	20	22	23,89 to 23,98	23,67 to 23,75	35,0	7000	Steel
P0396.HV22-22C	22	22	22	23,89 to 23,98	23,67 to 23,75	38,0	8200	Steel
P0396.HV24-06S	24	6	24	25,89 to 25,98	25,67 to 25,75	17,0	2320	Stainless
P0396.HV24-07S	24	7	24	25,89 to 25,98	25,67 to 25,75	18,0	2715	Stainless
P0396.HV24-12S	24	12	24	25,89 to 25,98	25,67 to 25,75	29,0	5550	Stainless
P0396.HV24-16C	24	16	24	25,89 to 25,98	25,67 to 25,75	32,0	7800	Steel
P0396.HV24-20C	24	20	24	25,89 to 25,98	25,67 to 25,75	45,0	9000	Steel
P0396.HV25-10C	25	10	25	26,89 to 26,98	26,67 to 26,75	24,0	4300	Steel
P0396.HV25-16S	25	16	25	26,89 to 26,98	26,67 to 26,75	35,0	7800	Stainless
P0396.HV25-20S	25	20	25	26,89 to 26,98	26,67 to 26,75	47,0	9000	Stainless
P0396.HV26-08S	26	8	26	27,89 to 27,98	27,67 to 27,75	21,0	3425	Stainless
P0396.HV26-10S	26	10	26	27,89 to 27,98	27,67 to 27,75	26,0	4500	Stainless
P0396.HV26-16S	26	16	26	27,89 to 27,98	27,67 to 27,75	43,0	8250	Stainless
P0396.HV26-20S	26	20	26	27,89 to 27,98	27,67 to 27,75	52,0	9600	Stainless
P0396.HV28-08S	28	8	28	29,89 to 29,98	29,67 to 29,75	27,0	4000	Stainless
P0396.HV28-10S	28	10	28	29,89 to 29,98	29,67 to 29,75	30,0	4700	Stainless
P0396.HV28-12S	28	12	28	29,89 to 29,98	29,67 to 29,75	39,0	6250	Stainless
P0396.HV28-14S	28	14	28	29,89 to 29,98	29,67 to 29,75	45,0	7250	Stainless
P0396.HV28-20S	28	20	28	29,89 to 29,98	29,67 to 29,75	55,0	9050	Stainless
P0396.HV28-30C	28	30	28	29,89 to 29,98	29,67 to 29,75	92,0	15250	Steel
P0396.HV30-08S	30	8	30	31,89 to 31,98	31,67 to 31,75	28,0	4100	Stainless
P0396.HV30-12S	30	12	30	31,89 to 31,98	31,67 to 31,75	40,0	5700	Stainless
P0396.HV30-16S	30	16	30	31,89 to 31,98	31,67 to 31,75	50,0	8065	Stainless
P0396.HV30-30C	30	30	30	31,89 to 31,98	31,67 to 31,75	95,0	15500	Steel
P0396.HV32-08S	32	8	32	33,89 to 33,98	33,67 to 33,75	30,0	3000	Stainless
P0396.HV32-10S	32	10	32	33,89 to 33,98	33,67 to 33,75	35,0	3200	Stainless
P0396.HV32-14S	32	14	32	33,89 to 33,98	33,67 to 33,75	50,0	4200	Stainless
P0396.HV32-30S	32	30	32	33,89 to 33,98	33,67 to 33,75	115,0	18000	Stainless
P0396.HV35-06C	35	6	35	36,89 to 36,98	36,67 to 36,75	32,0	2900	Steel
P0396.HV35-10S	35	10	35	36,89 to 36,98	36,67 to 36,75	43,0	3350	Stainless
P0396.HV35-14S	35	14	35	36,89 to 36,98	36,67 to 36,75	58,0	5000	Stainless

Order No.	d <sub>1</sub> H9	l	d <sub>1</sub> nom.	d <sub>2</sub> for bearings	d <sub>2</sub> for torque transfer	Max. torque Nm	Max. radial load N	Material
P0396.HV35-16S	35	16	35	36,89 to 36,98	36,67 to 36,75	70,0	8200	Stainless
P0396.HV40-08C	40	8	40	41,89 to 41,98	41,67 to 41,75	54,0	2800	Steel
P0396.HV40-10C	40	10	40	41,89 to 41,98	41,67 to 41,75	62,0	3300	Steel
P0396.HV40-12S	40	12	40	41,89 to 41,98	41,67 to 41,75	72,0	4450	Stainless
P0396.HV40-16S	40	16	40	41,89 to 41,98	41,67 to 41,75	91,0	6230	Stainless
P0396.HV40-20S	40	20	40	41,89 to 41,98	41,67 to 41,75	125,0	8450	Stainless
P0396.HV40-30S	40	30	40	41,89 to 41,98	41,67 to 41,75	180,0	12000	Stainless
P0396.HV42-12S	42	12	42	43,89 to 43,98	43,67 to 43,75	75,0	4900	Stainless
P0396.HV42-30S	42	30	42	43,89 to 43,98	43,67 to 43,75	225,0	13250	Stainless
P0396.HV45-12S	45	12	45	46,89 to 46,98	46,67 to 46,75	90,0	6000	Stainless
P0396.HV45-20S	45	20	45	46,89 to 46,98	46,67 to 46,75	165,0	8700	Stainless
P0396.HV47-06C	47	6	47	48,89 to 48,98	48,67 to 48,75	65,0	2450	Steel
P0396.HV47-08C	47	8	47	48,89 to 48,98	48,67 to 48,75	76,0	2850	Steel
P0396.HV47-14C	47	14	47	48,89 to 48,98	48,67 to 48,75	117,0	6230	Steel
P0396.HV47-18S	47	18	47	48,89 to 48,98	48,67 to 48,75	175,0	8300	Stainless
P0396.HV47-20S	47	20	47	48,89 to 48,98	48,67 to 48,75	210,0	8450	Stainless
P0396.HV47-22S	47	22	47	48,89 to 48,98	48,67 to 48,75	235,0	10750	Stainless
P0396.HV50-15S	50	15	50	52,35 to 52,47	52,03 to 52,15	157,0	6600	Stainless
P0396.HV50-20S	50	20	50	52,35 to 52,47	52,03 to 52,15	215,0	10100	Stainless
P0396.HV52-08C	52	8	52	54,35 to 54,47	54,03 to 54,15	100,0	3200	Steel
P0396.HV52-15S	52	15	52	54,35 to 54,47	54,03 to 54,15	165,0	7120	Stainless
P0396.HV55-12S	55	12	55	57,35 to 57,47	57,03 to 57,15	156,0	5550	Stainless
P0396.HV55-20S	55	20	55	57,35 to 57,47	57,03 to 57,15	260,0	10750	Stainless
P0396.HV60-15S	60	15	60	62,35 to 62,47	62,03 to 62,15	280,0	8800	Stainless
P0396.HV60-25S	60	25	60	62,35 to 62,47	62,03 to 62,15	475,0	15500	Stainless
P0396.HV62-10S	62	10	62	64,35 to 64,47	64,03 to 64,15	215,0	5300	Stainless
P0396.HV62-15S	62	15	62	64,35 to 64,47	64,03 to 64,15	290,0	8450	Stainless
P0396.HV65-25S	65	25	65	67,35 to 67,47	67,03 to 67,15	520,0	14900	Stainless
P0396.HV65-63S	65	63	65	67,35 to 67,47	67,03 to 67,15	850,0	46000	Stainless
P0396.HV70-25S	70	25	70	72,35 to 72,47	72,03 to 72,15	550,0	16900	Stainless
P0396.HV72-10S	72	10	72	74,35 to 74,47	74,03 to 74,15	230,0	6000	Stainless
P0396.HV72-17S	72	17	72	74,35 to 74,47	74,03 to 74,15	420,0	13000	Stainless
P0396.HV72-19S	72	19	72	74,35 to 74,47	74,03 to 74,15	470,0	14500	Stainless
P0396.HV72-20S	72	20	72	74,35 to 74,47	74,03 to 74,15	490,0	15000	Stainless
P0396.HV75-16S	75	16	75	77,35 to 77,47	77,03 to 77,15	520,0	13000	Stainless
P0396.HV75-20S	75	20	75	77,35 to 77,47	77,03 to 77,15	600,0	17000	Stainless
P0396.HV80-12C	80	12	80	82,35 to 82,47	82,03 to 82,15	280,0	11000	Steel
P0396.HV80-20S	80	20	80	82,35 to 82,47	82,03 to 82,15	630,0	16800	Stainless
P0396.HV84-12S	84	12	84	86,82 to 86,96	86,42 to 86,56	490,0	13000	Stainless
P0396.HV85-19C	85	19	85	87,82 to 87,96	87,42 to 87,56	700,0	17000	Steel
P0396.HV90-15S	90	15	90	92,82 to 92,96	92,42 to 92,56	560,0	14000	Stainless
P0396.HV90-20C	90	20	90	92,82 to 92,96	92,42 to 92,56	770,0	18000	Steel
P0396.HV90-23C	90	23	90	92,82 to 92,96	92,42 to 92,56	870,0	21000	Steel
P0396.HV90-25S	90	25	90	92,82 to 92,96	92,42 to 92,56	950,0	22500	Stainless