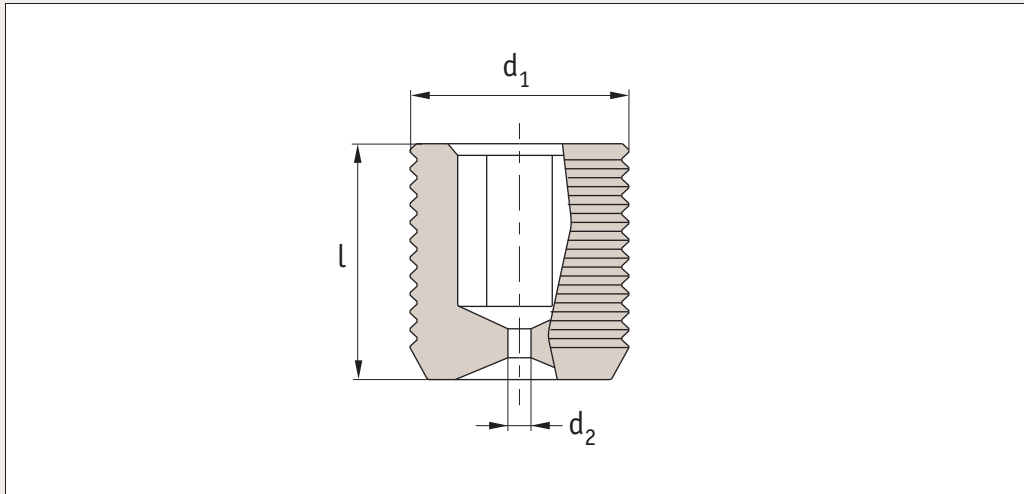




## P0199



### Material

A2 Stainless steel or brass.

### Technical Notes

For restricting flow.

Select size required then add -xxx which indicated reduced

hole diameter ( $d_2$ ), eg P0199.090-015-A2 indicated a 9mm bore size with a 0.015" orifice.

### Important Notes

**Please refer to technical pages for product installation details.**

Order No.	$d_1$	$d_2$	$d_{1(nom)}$	l	A/F
P0199.040-xxx-A2	M 4x0,7	0,012-0,035"	4	4	2
P0199.050-xxx-A2	M 5x0,8	0,012-0,055"	5	5	2,5
P0199.060-xxx-A2	M 6x1,0	0,012-0,075"	6	6	3
P0199.080-xxx-A2	M 8x1,25	0,012-0,115"	8	8	4
P0199.100-xxx-A2	M10x1,5	0,012-0,155"	10	10	5
P0199.120-xxx-A2	M12x1,75	0,012-0,195"	12	12	6
P0199.164-xxx-A2	8-32	0,012-0,035"	0,164"	3/16"	5/64"
P0199.190-xxx-A2	10-32	0,012-0,050"	0,190"	3/16"	3/32"
P0199.250-xxx-A2	1/4-28	0,012-0,085"	0,250"	1/4"	1/8"
P0199.312-xxx-A2	5/16-24	0,012-0,115"	0,312"	5/16"	5/32"
P0199.375-xxx-A2	3/8-24	0,012-0,145"	0,375"	3/8"	3/16"
P0199.437-xxx-A2	7/16-20	0,012-0,175"	0,437"	3/8"	7/32"
P0199.500-xxx-A2	1/2-20	0,012-0,210"	0,500"	1/2"	1/4"
P0199.062-xxx-A2	1/16-27 NPT	0,012-0,115"	0,312"	0,250/0,235"	5/32"
P0199.125-xxx-A2	1/8-27 NPT	0,012-0,145"	0,405"	0,250/0,235"	3/16"
P0199.251-xxx-A2	1/8-18 NPT	0,012-0,210"	0,540"	0,406/0,391"	1/4"
P0199.375-xxx-A2	3/8-18 NPT	0,012-0,270"	0,675"	0,406/0,391"	5/16"
P0199.062-xxx-BR	1/16-27 NPT	0,012-0,115"	0,312"	0,250/0,235"	5/32"
P0199.125-xxx-BR	1/8-27 NPT	0,012-0,145"	0,405"	0,250/0,235"	3/16"
P0199.250-xxx-BR	1/4-18 NPT	0,012-0,210"	0,540"	0,406/0,391"	1/4"
P0199.375-xxx-BR	3/8-18 NPT	0,012-0,270"	0,675"	0,406/0,391"	5/16"