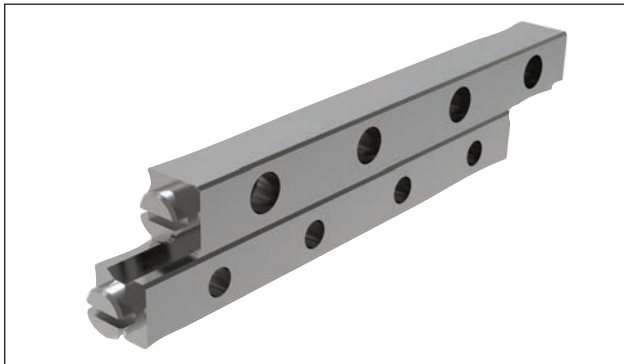


Standard cross roller rail sets

L1000 & L1001

- Seven rail profiles (Sizes 1-12)
- Lengths: 20mm to 1 metre
- L1000 standard rail set
- L1001 corrosion resistant rail sets



Deep groove and anti-creep rail sets

L1002 + L1003

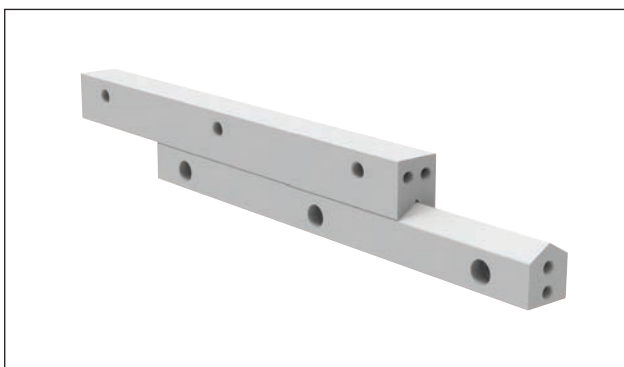
- 3 x load capacity of standard rail sets (due to deep V groove)
- Two rail profiles (Sizes 4 & 6)
- Lengths 50mm to 400mm
- Anti-creep versions for high acceleration applications



Needle roller rail sets

L1004

- Heavy load ratings and needle rollers are used
- Five rail profile size
- Lengths: 200mm to 1.2 metres



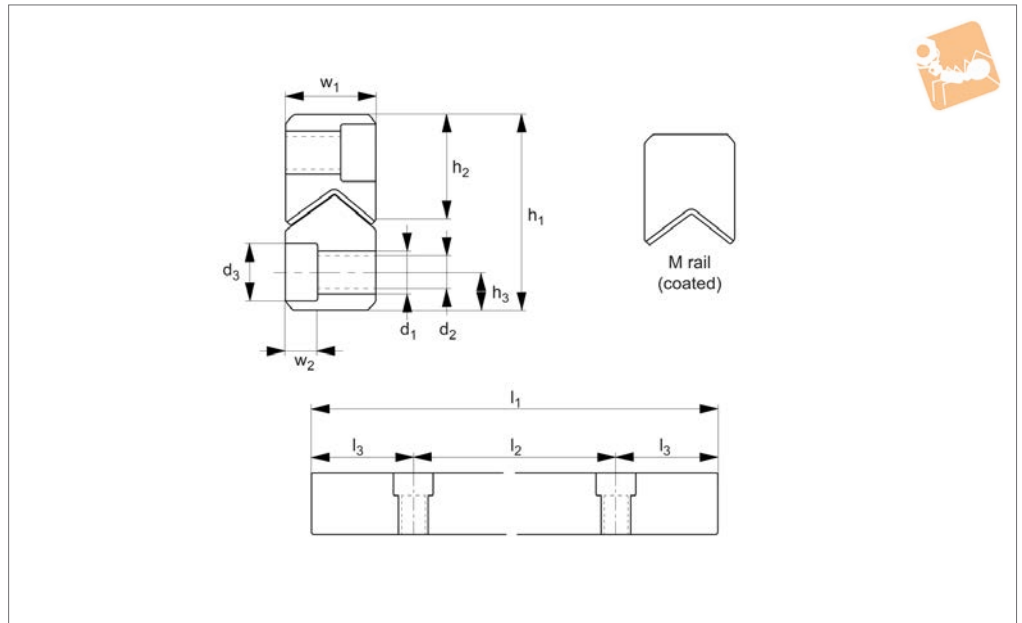
Anti-friction coated rail sets

L1005 & L1006

- Same profile as needle roller rails but contact face Teflon coated.
- Ideal for harsh, dirty conditions
- Vibration damping characteristics



L1005.M



Material

Hardened steel alloy (DIN 1,2842), coated with anti-friction material (Zedex 100).

Technical Notes

These are similar in size to the L1000 rails but are primarily used as dirt-proof units,

to reduce system vibration and improve rigidity.

Working temperature must be less than 50°C.

Load capacity per unit (cm²) = 4500N (dynamic), 7500N (static).

For total load capacity take width of bearing surface (in cm) x length (in cm) x load capacity (above).

Tips

Use with V rail L1005.V.

Order No.	Rail type	l ₁	h ₁ +0 -0.3	w ₁	l ₂	l ₃	d ₁	h ₂	h ₃	w ₂	d ₂	d ₃	Bearing surface width cm	Weight kg
L1005.M03-0050	M	50	18	8	25	12.5	M 4	9	3.5	3.1	3.3	6	0.3	0.02
L1005.M03-0075	M	75	18	8	25	12.5	M 4	9	3.5	3.1	3.3	6	0.3	0.03
L1005.M03-0100	M	100	18	8	25	12.5	M 4	9	3.5	3.1	3.3	6	0.3	0.04
L1005.M03-0125	M	125	18	8	25	12.5	M 4	9	3.5	3.1	3.3	6	0.3	0.05
L1005.M03-0150	M	150	18	8	25	12.5	M 4	9	3.5	3.1	3.3	6	0.3	0.06
L1005.M03-0175	M	175	18	8	25	12.5	M 4	9	3.5	3.1	3.3	6	0.3	0.07
L1005.M03-0200	M	200	18	8	25	12.5	M 4	9	3.5	3.1	3.3	6	0.3	0.09
L1005.M03-0225	M	225	18	8	25	12.5	M 4	9	3.5	3.1	3.3	6	0.3	0.10
L1005.M03-0250	M	250	18	8	25	12.5	M 4	9	3.5	3.1	3.3	6	0.3	0.11
L1005.M03-0275	M	275	18	8	25	12.5	M 4	9	3.5	3.1	3.3	6	0.3	0.12
L1005.M03-0300	M	300	18	8	25	12.5	M 4	9	3.5	3.1	3.3	6	0.3	0.13
L1005.M06-0100	M	100	31	15	50	25.0	M 6	16	6.0	5.2	5.3	10	0.6	0.15
L1005.M06-0150	M	150	31	15	50	25.0	M 6	16	6.0	5.2	5.3	10	0.6	0.22
L1005.M06-0200	M	200	31	15	50	25.0	M 6	16	6.0	5.2	5.3	10	0.6	0.29
L1005.M06-0250	M	250	31	15	50	25.0	M 6	16	6.0	5.2	5.3	10	0.6	0.36
L1005.M06-0300	M	300	31	15	50	25.0	M 6	16	6.0	5.2	5.3	10	0.6	0.44
L1005.M06-0350	M	350	31	15	50	25.0	M 6	16	6.0	5.2	5.3	10	0.6	0.51
L1005.M06-0400	M	400	31	15	50	25.0	M 6	16	6.0	5.2	5.3	10	0.6	0.58
L1005.M06-0450	M	450	31	15	50	25.0	M 6	16	6.0	5.2	5.3	10	0.6	0.65
L1005.M06-0500	M	500	31	15	50	25.0	M 6	16	6.0	5.2	5.3	10	0.6	0.73
L1005.M09-0200	M	200	44	22	100	50.0	M 8	24	9.0	6.2	6.8	11	1.2	0.64
L1005.M09-0300	M	300	44	22	100	50.0	M 8	24	9.0	6.2	6.8	11	1.2	0.96
L1005.M09-0400	M	400	44	22	100	50.0	M 8	24	9.0	6.2	6.8	11	1.2	1.27
L1005.M09-0500	M	500	44	22	100	50.0	M 8	24	9.0	6.2	6.8	11	1.2	1.59
L1005.M09-0600	M	600	44	22	100	50.0	M 8	24	9.0	6.2	6.8	11	1.2	1.90
L1005.M09-0700	M	700	44	22	100	50.0	M 8	24	9.0	6.2	6.8	11	1.2	2.22
L1005.M09-0800	M	800	44	22	100	50.0	M 8	24	9.0	6.2	6.8	11	1.2	2.53
L1005.M09-0900	M	900	44	22	100	50.0	M 8	24	9.0	6.2	6.8	11	1.2	2.85
L1005.M09-1000	M	1000	44	22	100	50.0	M 8	24	9.0	6.2	6.8	11	1.2	3.16
L1005.M12-0200	M	200	58	28	100	50.0	M10	33	12.0	8.2	8.5	15	1.6	1.13
L1005.M12-0300	M	300	58	28	100	50.0	M10	33	12.0	8.2	8.5	15	1.6	1.69



Anti-friction Coated M Rail

medium load capacity

Linear Rail Sets



Order No.	Rail type	l_1	h_1 +0 -0.3	w_1	l_2	l_3	d_1	h_2	h_3	w_2	d_2	d_3	Bearing surface width cm	Weight kg
L1005.M12-0400	M	400	58	28	100	50.0	M10	33	12.0	8.2	8.5	15	1.6	2.25
L1005.M12-0500	M	500	58	28	100	50.0	M10	33	12.0	8.2	8.5	15	1.6	2.81
L1005.M12-0600	M	600	58	28	100	50.0	M10	33	12.0	8.2	8.5	15	1.6	3.37
L1005.M12-0700	M	700	58	28	100	50.0	M10	33	12.0	8.2	8.5	15	1.6	3.93
L1005.M12-0800	M	800	58	28	100	50.0	M10	33	12.0	8.2	8.5	15	1.6	4.49
L1005.M12-0900	M	900	58	28	100	50.0	M10	33	12.0	8.2	8.5	15	1.6	5.05
L1005.M12-1000	M	1000	58	28	100	50.0	M10	33	12.0	8.2	8.5	15	1.6	5.61
L1005.M12-1100	M	1100	58	28	100	50.0	M10	33	12.0	8.2	8.5	15	1.6	6.18
L1005.M12-1200	M	1200	58	28	100	50.0	M10	33	12.0	8.2	8.5	15	1.6	6.74



Load Capacity Example

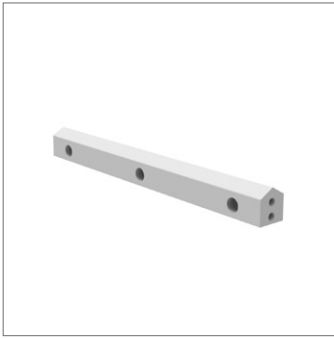
Product Number : L100J-300

Given: Bearing surface width (table)
Length 300mm (30cm)

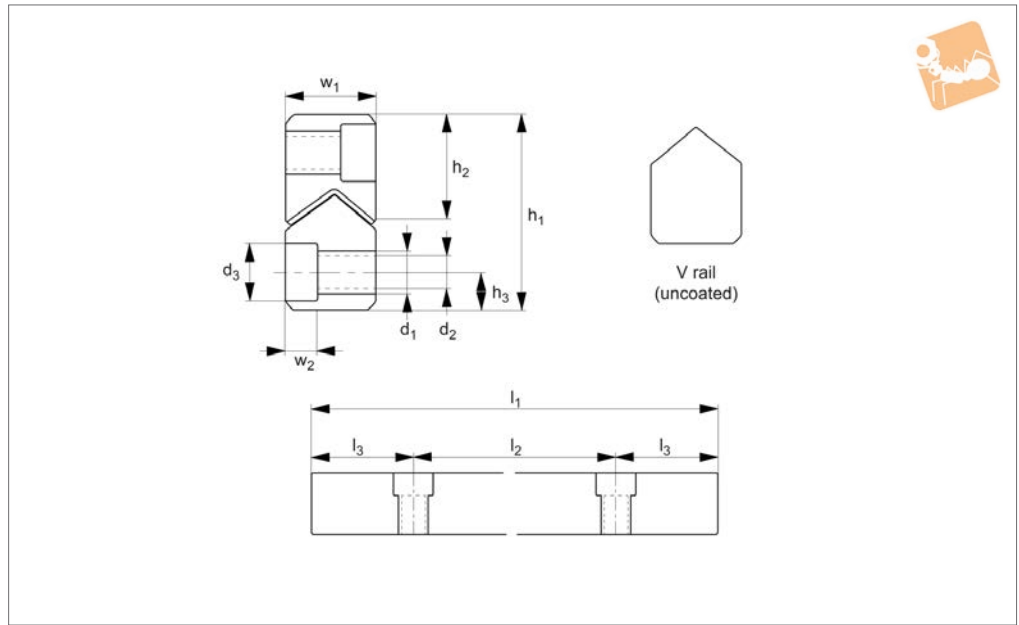
Load Rating / cm² (Data sheet)

Dynamic Load (N) : $0.6 \times 30 \times 4500 = 81.000N$
= 81kN

Static Load (kN) : $0.6 \times 30 \times 7500 = 135.000N$
= 135kN



L1005.V



Material

Alloy steel rail and roller (DIN 1.2842), through hardened to 60±2 HRC.

Technical Notes

These are similar in size to the L1000 rails but are primarily used as dirt-proof units,

to reduce system vibration and improve rigidity.

Working temperature must be less than 50°C.

Load capacity per unit (cm²) = 4500N (dynamic), 7500N (static).

For total load capacity take width of bearing surface (in cm) x length (in cm) x load capacity (above).

Tips

Use with V rail L1005.M.

Order No.	Rail type	l ₁	h ₁ +0 -0.3	w ₁	l ₂	l ₃	d ₁	h ₂	h ₃	w ₂	d ₂	d ₃	Bearing surface width cm	Weight kg
L1005.V03-0050	V	50	18	8	25	12.5	M 4	10.8	3.5	3.1	3.3	6	0.3	0.03
L1005.V03-0075	V	75	18	8	25	12.5	M 4	10.8	3.5	3.1	3.3	6	0.3	0.04
L1005.V03-0100	V	100	18	8	25	12.5	M 4	10.8	3.5	3.1	3.3	6	0.3	0.05
L1005.V03-0125	V	125	18	8	25	12.5	M 4	10.8	3.5	3.1	3.3	6	0.3	0.06
L1005.V03-0150	V	150	18	8	25	12.5	M 4	10.8	3.5	3.1	3.3	6	0.3	0.08
L1005.V03-0175	V	175	18	8	25	12.5	M 4	10.8	3.5	3.1	3.3	6	0.3	0.09
L1005.V03-0200	V	200	18	8	25	12.5	M 4	10.8	3.5	3.1	3.3	6	0.3	0.10
L1005.V03-0225	V	225	18	8	25	12.5	M 4	10.8	3.5	3.1	3.3	6	0.3	0.12
L1005.V03-0250	V	250	18	8	25	12.5	M 4	10.8	3.5	3.1	3.3	6	0.3	0.13
L1005.V03-0275	V	275	18	8	25	12.5	M 4	10.8	3.5	3.1	3.3	6	0.3	0.14
L1005.V03-0300	V	300	18	8	25	12.5	M 4	10.8	3.5	3.1	3.3	6	0.3	0.16
L1005.V06-0100	V	100	31	15	50	25.0	M 6	19.3	6.0	5.2	5.3	10	0.6	0.18
L1005.V06-0150	V	150	31	15	50	25.0	M 6	19.3	6.0	5.2	5.3	10	0.6	0.26
L1005.V06-0200	V	200	31	15	50	25.0	M 6	19.3	6.0	5.2	5.3	10	0.6	0.35
L1005.V06-0250	V	250	31	15	50	25.0	M 6	19.3	6.0	5.2	5.3	10	0.6	0.44
L1005.V06-0300	V	300	31	15	50	25.0	M 6	19.3	6.0	5.2	5.3	10	0.6	0.53
L1005.V06-0350	V	350	31	15	50	25.0	M 6	19.3	6.0	5.2	5.3	10	0.6	0.61
L1005.V06-0400	V	400	31	15	50	25.0	M 6	19.3	6.0	5.2	5.3	10	0.6	0.70
L1005.V06-0450	V	450	31	15	50	25.0	M 6	19.3	6.0	5.2	5.3	10	0.6	0.79
L1005.V06-0500	V	500	31	15	50	25.0	M 6	19.3	6.0	5.2	5.3	10	0.6	0.88
L1005.V09-0200	V	200	44	22	100	50.0	M 8	28.0	9.0	6.2	6.8	11	1.2	0.64
L1005.V09-0300	V	300	44	22	100	50.0	M 8	28.0	9.0	6.2	6.8	11	1.2	0.96
L1005.V09-0400	V	400	44	22	100	50.0	M 8	28.0	9.0	6.2	6.8	11	1.2	1.27
L1005.V09-0500	V	500	44	22	100	50.0	M 8	28.0	9.0	6.2	6.8	11	1.2	1.59
L1005.V09-0600	V	600	44	22	100	50.0	M 8	28.0	9.0	6.2	6.8	11	1.2	1.90
L1005.V09-0700	V	700	44	22	100	50.0	M 8	28.0	9.0	6.2	6.8	11	1.2	2.22
L1005.V09-0800	V	800	44	22	100	50.0	M 8	28.0	9.0	6.2	6.8	11	1.2	2.53
L1005.V09-0900	V	900	44	22	100	50.0	M 8	28.0	9.0	6.2	6.8	11	1.2	2.85
L1005.V09-1000	V	1000	44	22	100	50.0	M 8	28.0	9.0	6.2	6.8	11	1.2	3.16
L1005.V12-0200	V	200	58	28	100	50.0	M10	35.5	12.0	8.2	8.5	15	1.6	1.13
L1005.V12-0300	V	300	58	28	100	50.0	M10	35.5	12.0	8.2	8.5	15	1.6	1.69



Anti-friction Coated Rail Set

V rail - uncoated

Linear Rail Sets



Order No.	Rail type	l_1	h_1 +0 -0.3	w_1	l_2	l_3	d_1	h_2	h_3	w_2	d_2	d_3	Bearing surface width cm	Weight kg
L1005.V12-0400	V	400	58	28	100	50.0	M10	35.5	12.0	8.2	8.5	15	1.6	2.25
L1005.V12-0500	V	500	58	28	100	50.0	M10	35.5	12.0	8.2	8.5	15	1.6	2.81
L1005.V12-0600	V	600	58	28	100	50.0	M10	35.5	12.0	8.2	8.5	15	1.6	3.37
L1005.V12-0700	V	700	58	28	100	50.0	M10	35.5	12.0	8.2	8.5	15	1.6	3.93
L1005.V12-0800	V	800	58	28	100	50.0	M10	35.5	12.0	8.2	8.5	15	1.6	4.49
L1005.V12-0900	V	900	58	28	100	50.0	M10	35.5	12.0	8.2	8.5	15	1.6	5.05
L1005.V12-1000	V	1000	58	28	100	50.0	M10	35.5	12.0	8.2	8.5	15	1.6	5.61
L1005.V12-1100	V	1100	58	28	100	50.0	M10	35.5	12.0	8.2	8.5	15	1.6	6.18
L1005.V12-1200	V	1200	58	28	100	50.0	M10	35.5	12.0	8.2	8.5	15	1.6	6.74



Load Capacity Example

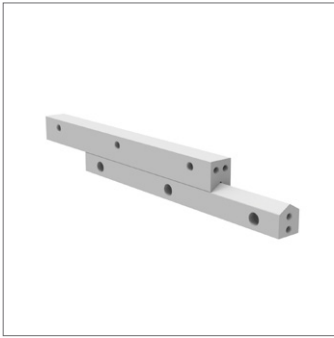
Product Number : L100J-300

Given: Bearing surface width (table)
Length 300mm (30cm)

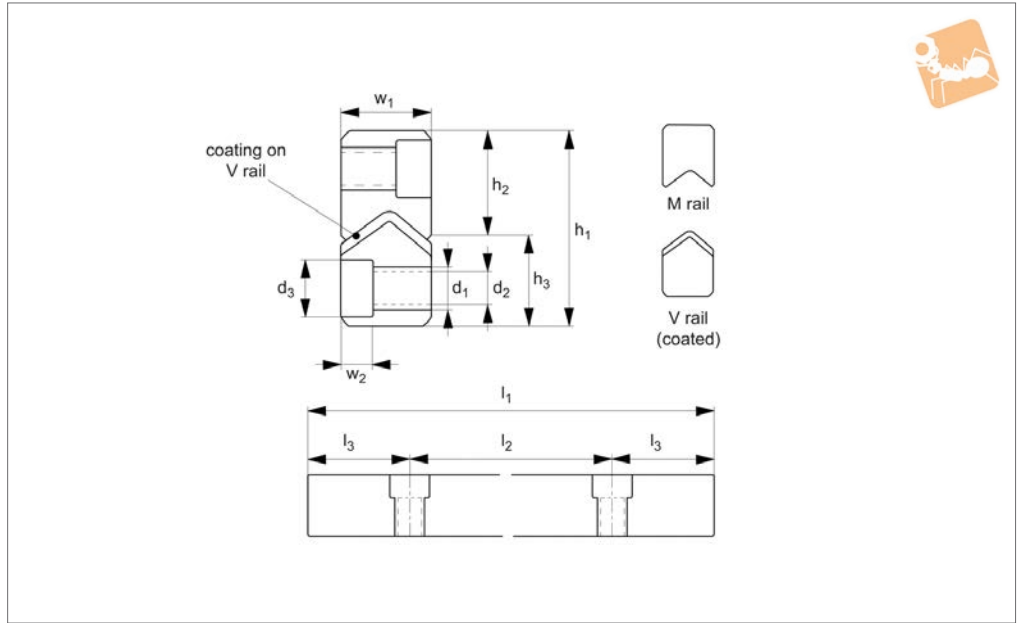
Load Rating / cm² (Data sheet)

Dynamic Load (N) : $0.6 \times 30 \times 4500 = 81.000N$
= 81kN

Static Load (kN) : $0.6 \times 30 \times 7500 = 135.000N$
= 135kN



L1006.V



Material

Hardened steel alloy (DIN 1,2842), coated with anti-friction material (Zedex 100).

Technical Notes

These are similar in size to the L1004 rails but are primarily used as dirt-proof units:- to reduce any system vibration and

improve rigidity.

Working temperature must be less than 50°C.

Load capacity per unit (cm²) = 4500N (dynamic), 7500N (static).

For total load capacity take width of bearing surface (in cm) x length (in cm)

x load capacity (above).

Tips

Select the anti-friction coated rail and combine with any length of standard L1004.M type rail.

Used where speed is relatively low (20m/minute max.).

Order No.	Rail size	l ₁	h ₁ +0 -0.3	w ₁	l ₂	l ₃	d ₁	h ₂	h ₃	w ₂	d ₂	d ₃	Bearing surface width cm	Weight kg
L1006.V22-0200	22	200	44	22	100	50	M 8	24	9	6.2	6.8	10.5	1.05	0.70
L1006.V22-0300	22	300	44	22	100	50	M 8	24	9	6.2	6.8	10.5	1.05	1.03
L1006.V22-0400	22	400	44	22	100	50	M 8	24	9	6.2	6.8	10.5	1.05	1.34
L1006.V22-0500	22	500	44	22	100	50	M 8	24	9	6.2	6.8	10.5	1.05	1.70
L1006.V22-0600	22	600	44	22	100	50	M 8	24	9	6.2	6.8	10.5	1.05	2.04
L1006.V25-0200	25	200	52	25	100	50	M10	28	10	8.2	8.5	13.5	1.15	0.90
L1006.V25-0300	25	300	52	25	100	50	M10	28	10	8.2	8.5	13.5	1.15	1.35
L1006.V25-0400	25	400	52	25	100	50	M10	28	10	8.2	8.5	13.5	1.15	1.80
L1006.V25-0500	25	500	52	25	100	50	M10	28	10	8.2	8.5	13.5	1.15	2.25
L1006.V25-0600	25	600	52	25	100	50	M10	28	10	8.2	8.5	13.5	1.15	2.70
L1006.V30-0300	30	300	62	30	100	50	M12	34	12	10.2	10.5	16.5	1.50	1.97
L1006.V30-0400	30	400	62	30	100	50	M12	34	12	10.2	10.5	16.5	1.50	2.62
L1006.V30-0500	30	500	62	30	100	50	M12	34	12	10.2	10.5	16.5	1.50	3.28
L1006.V30-0600	30	600	62	30	100	50	M12	34	12	10.2	10.5	16.5	1.50	3.93
L1006.V35-0400	35	400	74	35	100	50	M14	42.5	14	12.2	12.5	18.5	1.75	3.46
L1006.V35-0500	35	500	74	35	100	50	M14	42.5	14	12.2	12.5	18.5	1.75	4.33
L1006.V35-0600	35	600	74	35	100	50	M14	42.5	14	12.2	12.5	18.5	1.75	5.19
L1006.V45-0600	45	600	78	45	100	50	M14	45	14	12.2	12.5	18.5	2.45	7.32
L1006.V45-0500	45	500	78	45	100	50	M14	45	14	12.2	12.5	18.5	2.45	6.10